



IK **-SERIES**

**LED STREET LIGHT
BEST FOR EUROPEAN STREETS**

UP TO **155LM/W**
500W REPLACEMENT

● POWER: 20W-150W

**EXPERTS WITH
PROFESSIONAL SOLUTION**

WWW.AOKLEDLIGHT.COM
2019.09-3rd Edition

OPTICAL SYSTEM

- Precision engineered individual lenses made of optical grade Mitsubishi polycarbonate for maximum light intensity.
- Micro-lens systems produce IESNA Type II, Type III, Type IV distributions. Luminaire produces 0% total lumens above 90°(BUG Rating, U=0).
- Delivers improved visual comfort by lower glare and providing a wider smoother and more uniform light output.
- Optical systems maintain an IP66 rating.
- Available in 3000K, 4000K, 5000K, 5700K, 6500K CCT.
- Efficacy 150lm/W as standard, higher lumen output, precision light pattern ensure more energy saved.
- Cutoff classification: Cutoff, no uplight pollution.
- Minimum CRI of 70, 80, and 90 optional.
- With Tempered Glass cover.

FINISH

- Rugged, weather-tight design and 3G Vibration ratings ensure durability even in harsh environments.

CONSTRUCTION

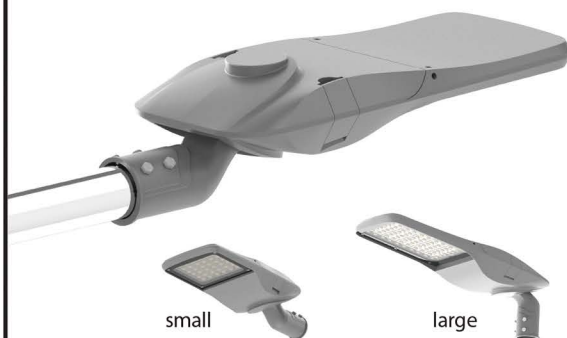
- Heavy-duty die-cast aluminum housing and door. IK09 and Anti-corrosion.
- Tool-less entry hinged removable door for easy maintenance.
- Auto-electrical disconnection: Built-in circuit breaker, tool free electrical gear tray.
- UV stabilized polyester powder paint finish for durability and corrosion resistance.
- Multiple Mounting options: post top and side entry installation available.
- Mounting has leveling adjustment from -15° to +15°
- 3G vibration rated.

ELECTRICAL

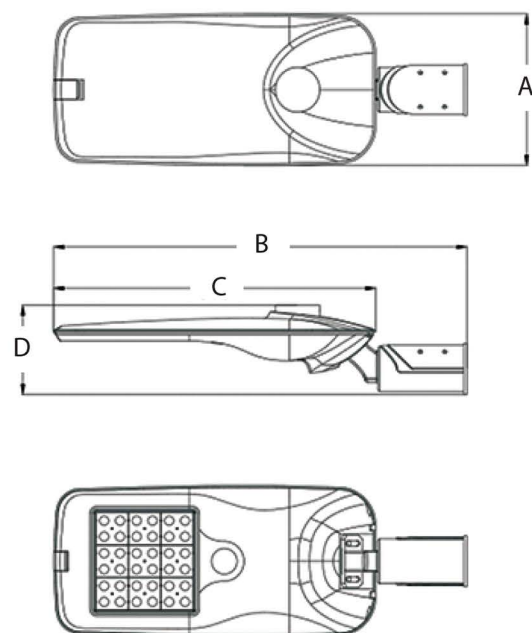
- 0-10V/ PMW/ Timer dimming, 3 Timer Modes, Dim-to-Off with Standby Power ≤ 0.5W.
- Constant current Class II driver, 100-277Vac, 50-60Hz, Class I optional.
- High efficiency driver: up to 93.5%, minimum efficiency 87.5%.
- Input Surge Protection: 6kV line-line, 10kV line-earth, photocell, 20KV SPD available.
- Operating temperature rating: -40°F to 122°F (-40°C to 50°C).

up to 155lm/w optional

IK SERIES



FIXTURE DIMENSIONS



A	B	C	D
Dimensions of 20WiK-75WiK			
238mm	650mm	505mm	140mm
Dimensions of 90WiK, 120WiK and 150WiK			
290mm	765mm	620mm	145mm

CERTIFICATIONS/LISTINGS



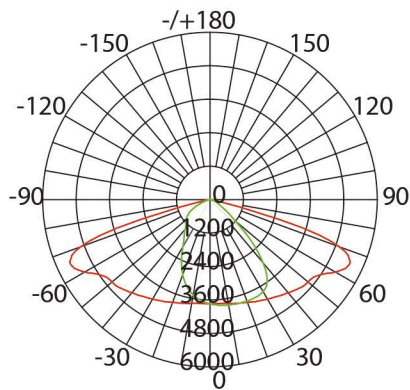
ORDERING INFORMATION

AOK								
WATTS	VOLTAGE	LED CHIPS	TYPE OF SENSOR	CCT&CRI	DISTRIBUTION	HOUSING	OPTIONS	
20WiK	NV=100-277V	L3=LUMILEDS3030	00=Without Sensor	3070=3000K 70CRI	T2=Type II	SG=Silver Gray	10KV SPD	
30WiK		L5=LUMILEDS5050	PH=Photocell	4070=4000K 70CRI	T3=Type III	BK=Black	20KV SPD	
40WiK			DV=Dimmable	5070=5000K 70CRI	T4=Type IV			
50WiK				5770=5700K 70CRI				
60WiK				3080=3000K 80CRI				
75WiK				4080=4000K 80CRI				
90WiK				5080=5000K 80CRI				
120WiK				5780=5700K 80CRI				
150WiK								

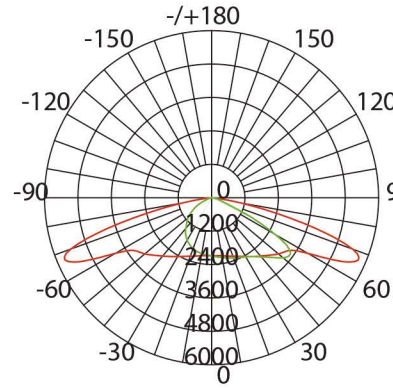
TECHNICAL SPECIFICATIONS

MODEL	LUMINAIRE LUMEN OUTPUT	Replace Up To	WATTS	IP & IK	DISTRIBUTION TYPE	FIXTURE DIMENSION	NW	MAXIMUM CURRENT
AOK-20WiK	3100lm	50W	20W	IP66 & IK09	Type II, Type III, Type IV	25.6*9.4*5.5" (65*24*14cm)	9.7lbs (4.4kg)	0.22A
AOK-30WiK	4641lm	75W	30W	IP66 & IK09	Type II, Type III, Type IV	25.6*9.4*5.5" (65*24*14cm)	9.7lbs (4.4kg)	0.33A
AOK-40WiK	6000lm	120W	40W	IP66 & IK09	Type II, Type III, Type IV	25.6*9.4*5.5" (65*24*14cm)	9.7lbs (4.4kg)	0.44A
AOK-50WiK	7520lm	150W	50W	IP66 & IK09	Type II, Type III, Type IV	25.6*9.4*5.5" (65*24*14cm)	9.7lbs (4.4kg)	0.55A
AOK-60WiK	9024lm	150W	60W	IP66 & IK09	Type II, Type III, Type IV	25.6*9.4*5.5" (65*24*14cm)	9.7lbs (4.4kg)	0.66A
AOK-75WiK	11898lm	200W	75W	IP66 & IK09	Type II, Type III, Type IV	25.6*9.4*5.5" (65*24*14cm)	9.7lbs (4.4kg)	0.88A
AOK-90WiK	13110lm	250W	90W	IP66 & IK09	Type II, Type III, Type IV	30*11.4*5.7" (76.5*29*14.5cm)	13.9lbs (6.3kg)	1.00A
AOK-120WiK	16030lm	400W	120W	IP66 & IK09	Type II, Type III, Type IV	30*11.4*5.7" (76.5*29*14.5cm)	13.9lbs (6.3kg)	1.35A
AOK-150WiK	19236lm	500W	150W	IP66 & IK09	Type II, Type III, Type IV	30*11.4*5.7" (76.5*29*14.5cm)	13.9lbs (6.3kg)	1.65A

PHOTOMETRY



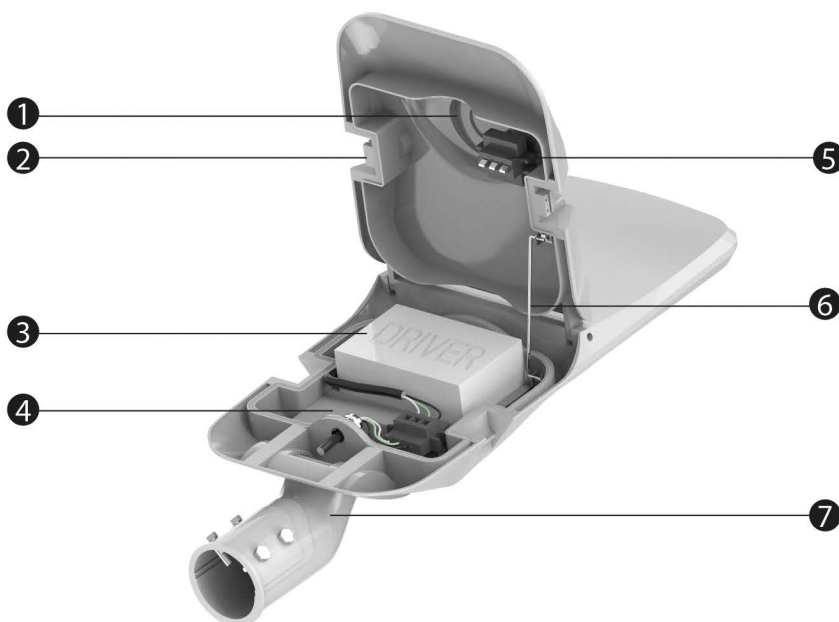
Type II Short
AVERAGE BEAM ANGLE
 (50%):112.7 DEG
 UNIT: cd
 — C0/180,149.4
 lc:3740
 — C90/270,76.0
 lc:3875



Type III
AVERAGE BEAM ANGLE
 (50%):126.8 DEG
 UNIT: cd
 — C0/180,159.7
 lc:2092
 — C90/270,93.9
 lc:3479

All published Luminaire photometric testing performed to IESNA LM-79-08 standards by a NVLAP accredited Laboratory.

CONSTRUCTION FEATURES



1. Reserved space for photocell
2. Buckle design
3. Class I /Class II Dimmable driver
4. Isolated removable plate for driver
5. Auto Power Cut off Protector
6. Supporting Rod
7. Adjustable Mounting