

oFS Series Installation Instructions

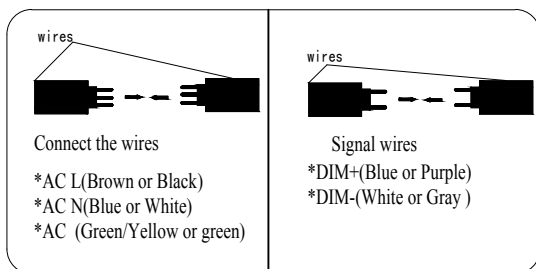
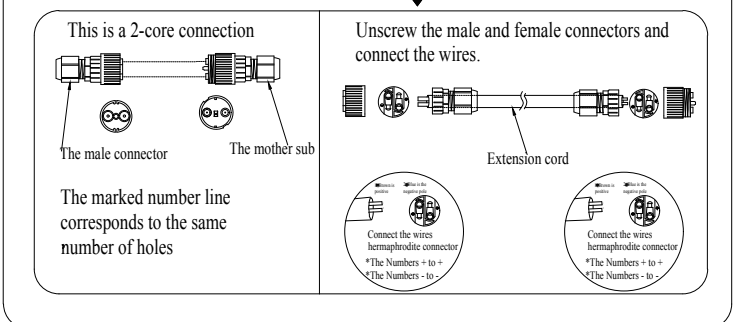
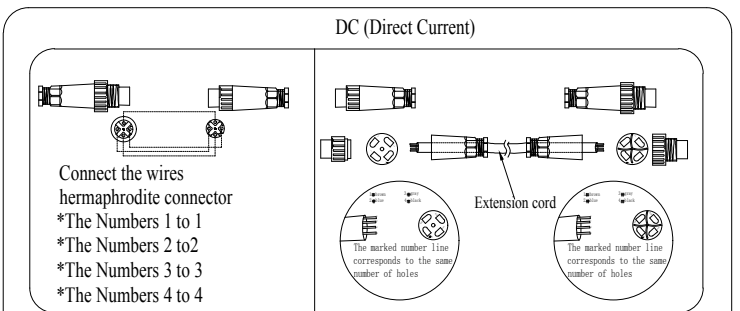
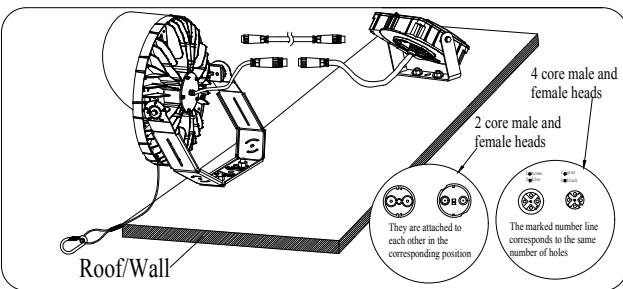
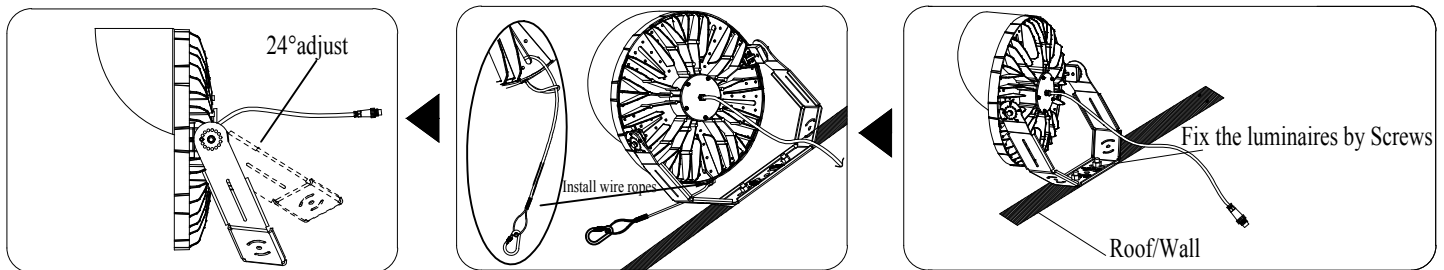
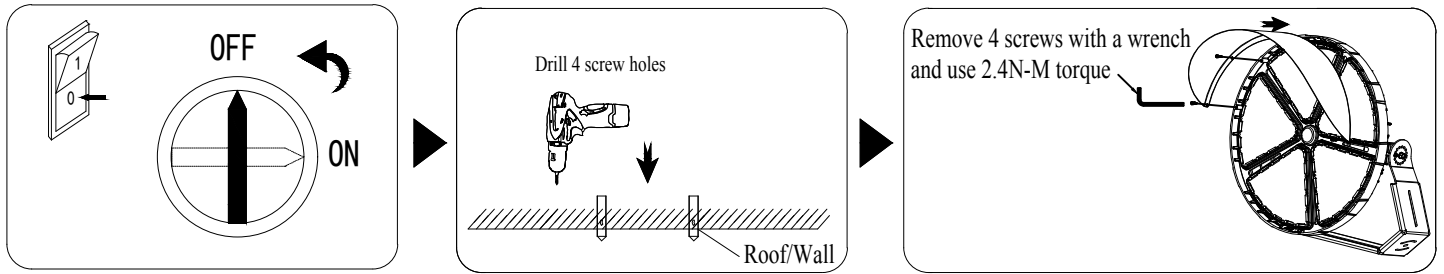
(with Remote Driver Box)

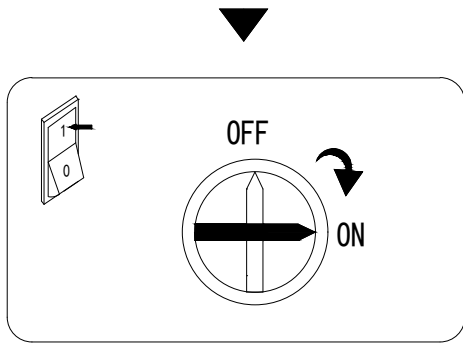


Check whether it's concerned with an AC(Alternating Current)based or DC(Direct Current) based system

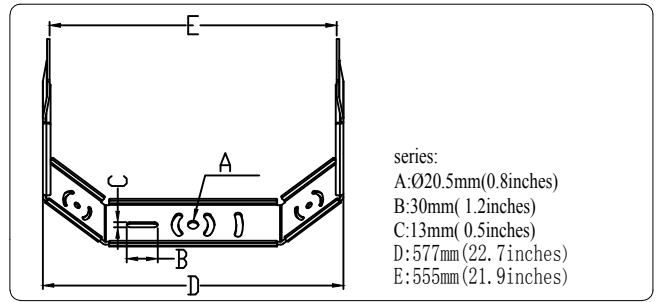
⚠ Caution:
Switch Off the Power Supply

New Installation





Bracket dimension



series:
A: $\varnothing 20.5\text{mm}$ (0.8 inches)
B: 30mm (1.2 inches)
C: 13mm (0.5 inches)
D: 577mm (22.7 inches)
E: 555mm (21.9 inches)

⚠ Caution:

- Turn power Off During Installation.
Do Not Connect Or Disconnect Under Load
- Caution Risk of Fire.

The product (LED lighting equipment, electrical , electronic equipment) should not be placed in municipal waste. Check local regulations for disposal of electronic products.

- Features and specifications are subject to change without notice.
- The product color may be different with actual due to discrepancy of camera or screen settings.