

Installation Guide


This procedure is designed as an installation aid. Skilled tradespeople that are familiar with general construction and electrical installation techniques should perform the installation. Licensed electricians should provide electrical installation connections. Installations and connections should be done in accordance with all national and local codes and permits. In no way is this document intended to construe warranty or fitness of use of the products described, nor is it intended to provide safety instruction for those installing the product.

⚡ WARNING

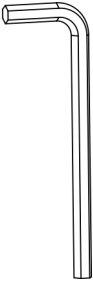
Before proceeding with installation or service maintenance of this product:

- Disconnect power to reduce electrical shock risk.
- Review the entire Installation Guide.
- Inspect this properly packaged product for any damage that may have occurred during transit.
- Verify product application complies with manufacturer design recommendations.
- Verify the availability of necessary tools and incidental material.
- Verify applicable code requirements. Field assembly and installation are subject to acceptance by local inspection authority.
- Appropriate safety equipment to be determined by end user, per applicable safety standards and precautions.

-Installation Tools Reference - Packing List:

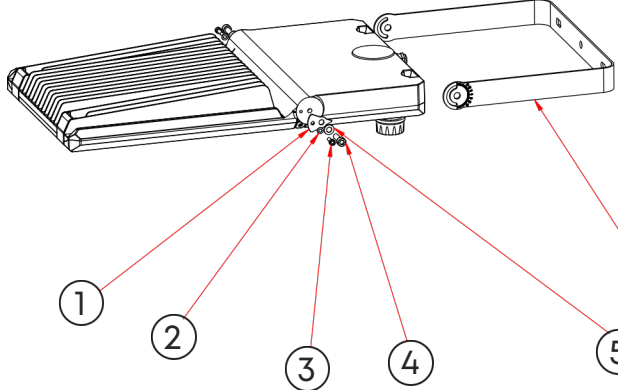


5 # hex wrench



8 # hex wrench

Note: Installation tool is not included with product.



1 Gasket 2PCS

2 M5 gasket 2PCS

3 M5*10mm 2PCS

4 M8*20mm 2PCS

5 M8 gasket 2PCS

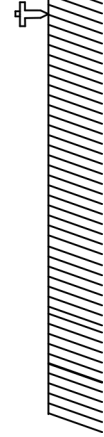
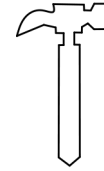
6 U-Bracket

A



Step 1: Drill two holes in the wall or ceiling. Refer to diagram E for the hole dimensions.

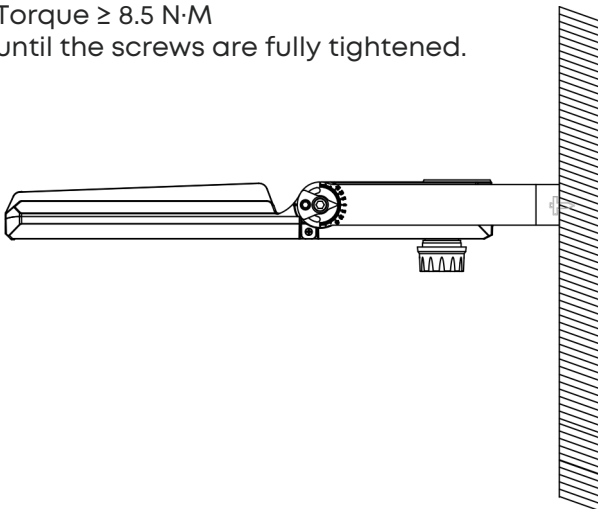
B



Step 2: Use a hammer to drive the screws into the wall or ceiling.

C

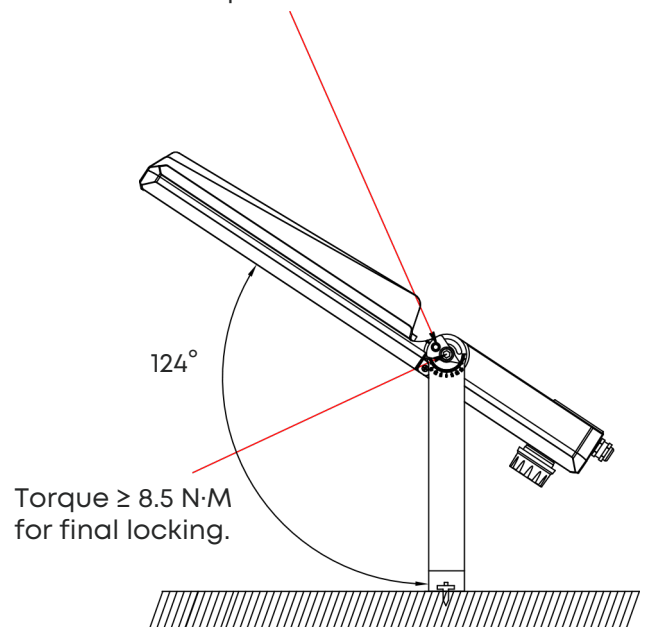
Torque ≥ 8.5 N·M until the screws are fully tightened.



Step 3: Secure the lighting fixture to the wall or ceiling.

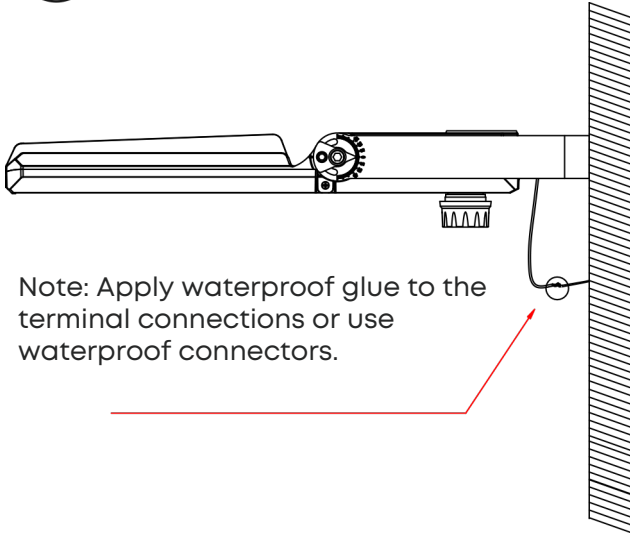
D

Adjust to the desired angle and tighten the screws with a torque ≥ 5 N·M until locked.



Step 4: Loosen the screws to adjust the fixture to the desired angle (Up to 270°).

E

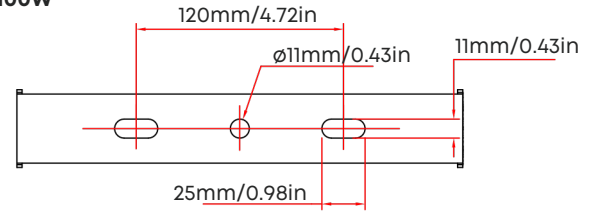


Note: Apply waterproof glue to the terminal connections or use waterproof connectors.

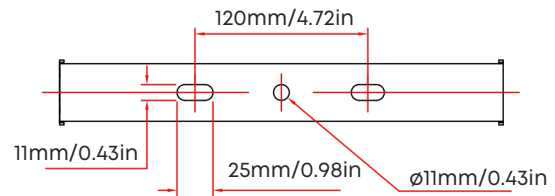
Step 5: Connect the cable from the lighting fixture to the municipal power lines, as shown in diagrams F or G.

U-bracket installation dimensions:

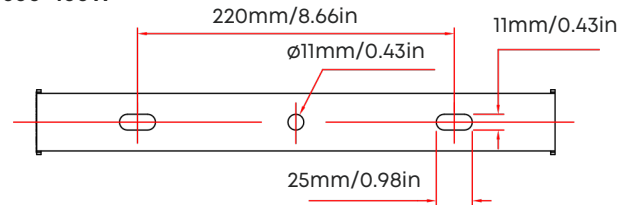
50-100W



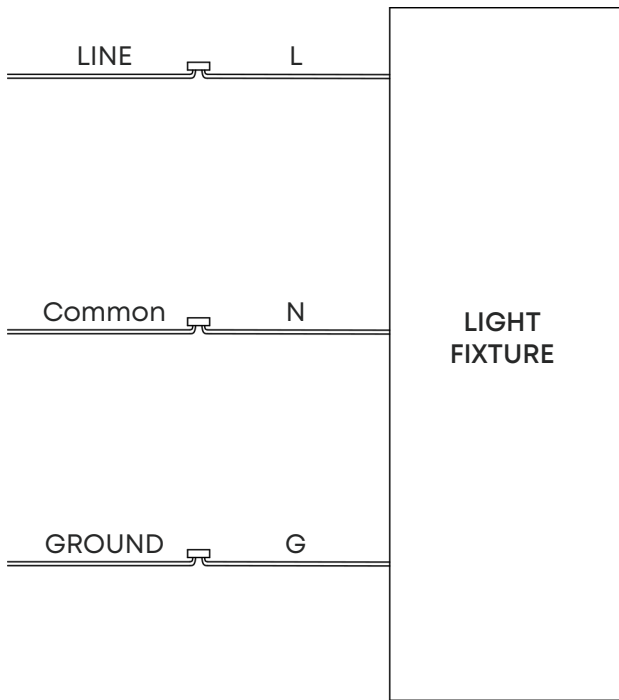
150-240W



300-400W

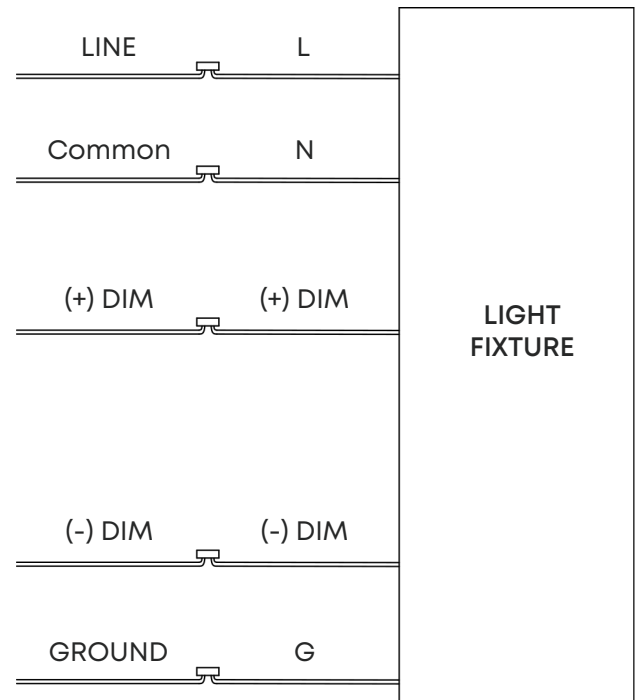


F



G

0-10V Dim Wiring

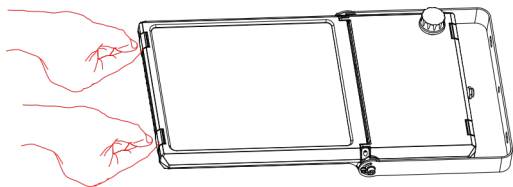


If replacing components is required, follow the steps below.

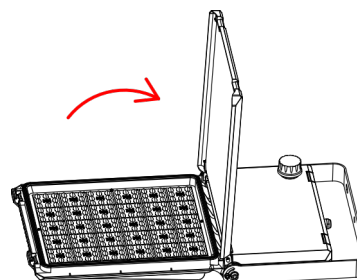
Note: Issues caused by improper operation are not covered under the after-sales service.

Instructions for Opening and Closing the Top Cover and Driver Cover:

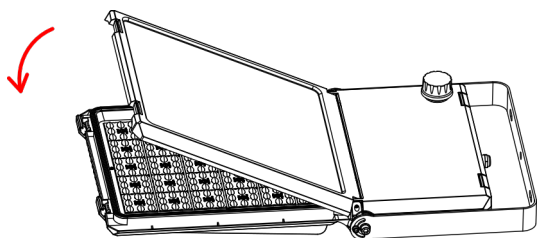
(1) Loosen the latch of the top cover.



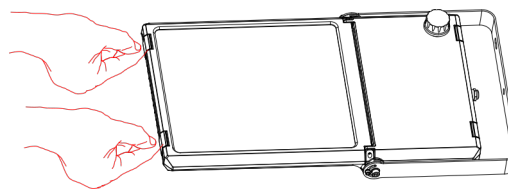
(2) Fully open the top cover.



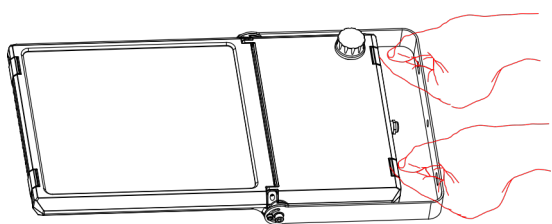
(3) Close the top cover completely.



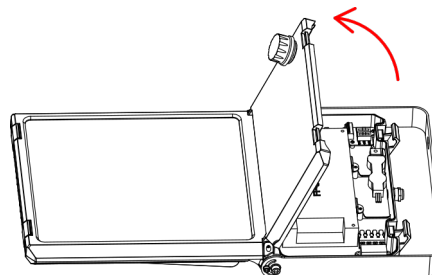
(4) Secure the latch of the top cover.



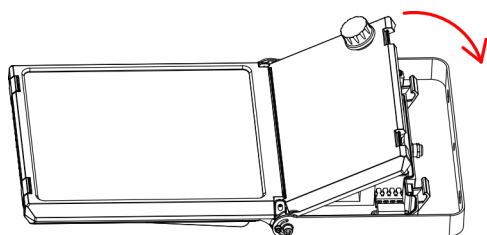
(5) Loosen the latch of the driver cover.



(6) Fully open the driver cover.



(7) Close the driver cover completely.



(8) Secure the latch of the driver cover.

