

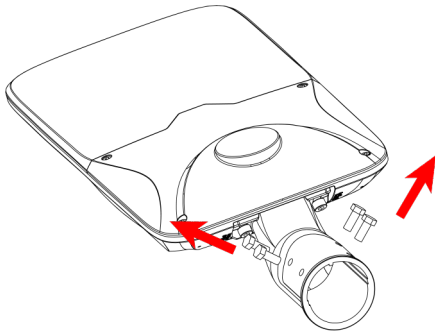
Installation Guide

This procedure is designed as an installation aid. Skilled tradespeople that are familiar with general construction and electrical installation techniques should perform the installation. Licensed electricians should provide electrical installation connections. Installations and connections should be done in accordance with all national and local codes and permits. In no way is this document intended to construe warranty or fitness of use of the products described, nor is it intended to provide safety instruction for those installing the product.

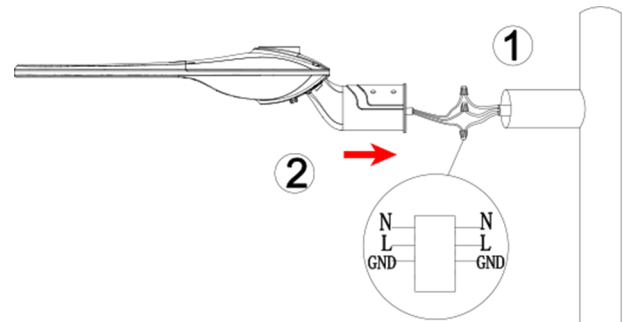
Installation Procedure

TYPE I

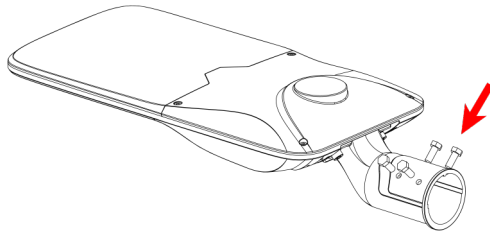
1. Turn the four screws on the rack as shown below.



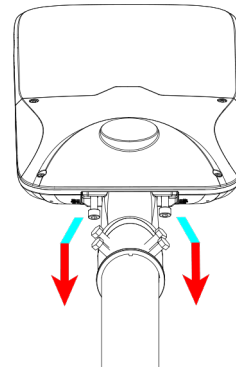
2. The wire connecting the lamp and the lamp pole (L, N, GND lines should correspond to each other) . Then inset the lamp basket into the lamp pole according to the arrow direction, as follows.



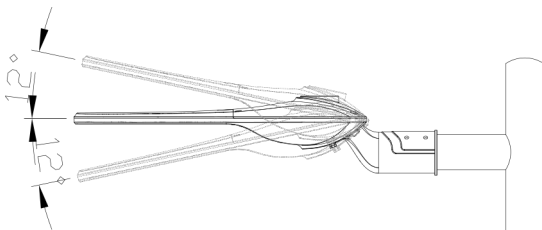
3. Tighten the four screws of the support as shown below.



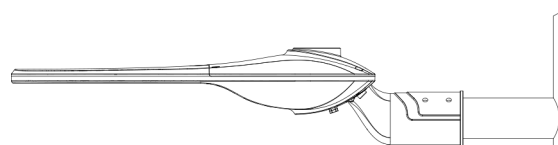
4. Unscrew the two screws of the bracket (do not unscrew all the screws) as shown below.



5. Rotate the lamp to a proper Angle (up to 12 degrees, down to 12 degrees) , then tighten the two bracket screws, as shown below.



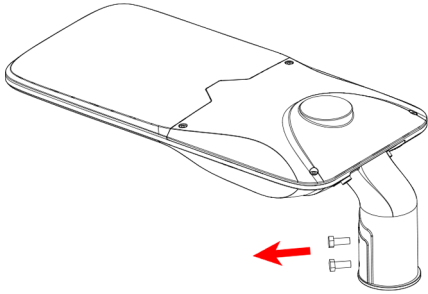
6. Installation completed.



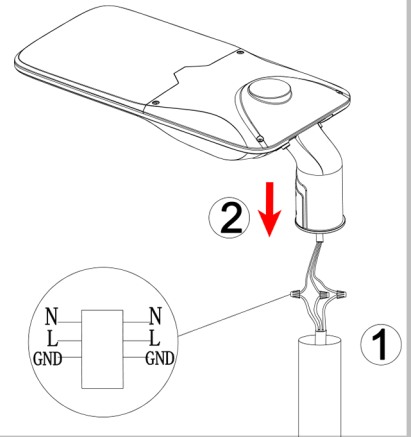
Installation Guide

TYPE II

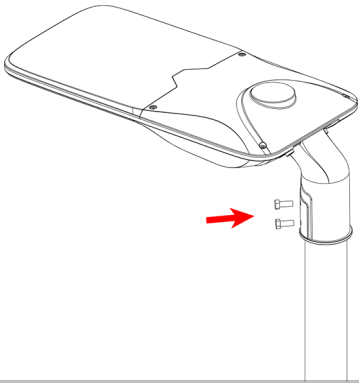
1. Turn the four screws on the rack as shown below.



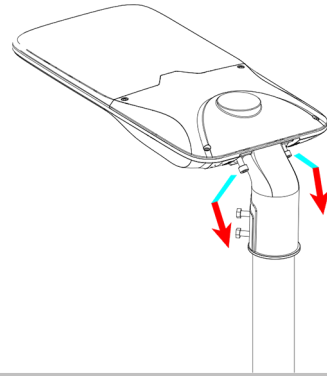
2. The wire connecting the lamp and the lamp pole (L, N, GND lines should correspond to each other) . Then inset the lamp basket into the lamp pole according to the arrow direction, as follows.



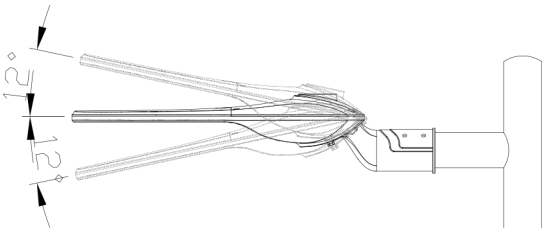
3. Tighten the four screws of the support as follows.



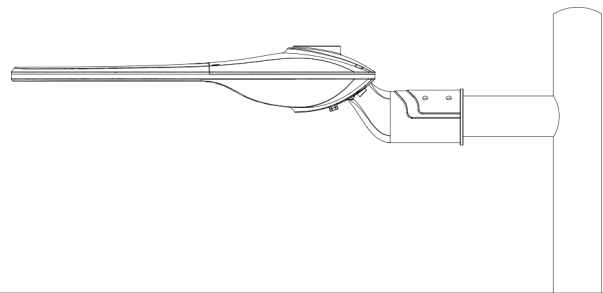
4. Unscrew the two screws of the bracket (do not unscrew all the screws) as shown below.



5. Rotate the lamp to a proper Angle (up to 12 degrees, down to 12 degrees) , then tighten the two bracket screws, as shown below.



6. Installation completed.



WARNING

Before proceeding with installation or service maintenance of this product.

- Disconnect power to reduce electrical shock risk.
- Review the entire Installation Guide.
- Inspect this properly packaged product for any damage that may have occurred during transit.
- Verify product application complies with manufacturer design recommendations.
- Verify the availability of necessary tools and incidental material.
- Verify applicable code requirements. Field assembly and installation are subject to acceptance by local inspection authority.
- Appropriate safety equipment to be determined by end user, per applicable safety standards and precautions.