

LED High Mast Installation Guide

This procedure is designed as an installation aid. Skilled tradespeople that are familiar with general construction and electrical installation techniques should perform the installation. Licensed electricians should provide electrical installation connections. Installations and connections should be done in accordance with all national and local codes and permits. In no way is this document intended to construe warranty or fitness of use of the products described, nor is it intended to provide safety instruction for those installing the product.

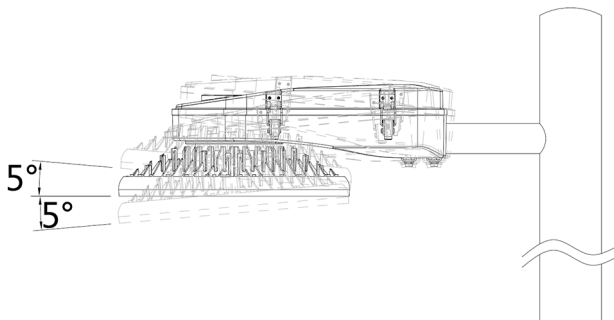
⚡ WARNING

Before proceeding with installation or service maintenance of this product:

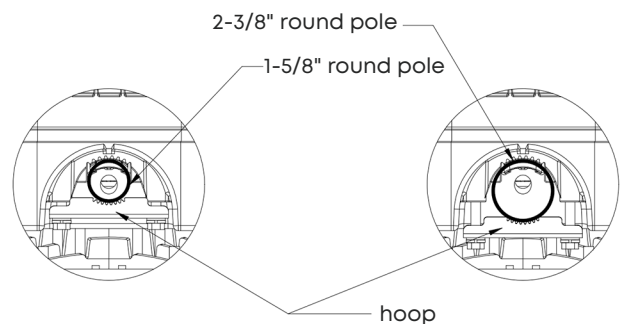
- Disconnect power to reduce electrical shock risk.
- Review the entire Installation Guide.
- Inspect this properly packaged product for any damage that may have occurred during transit.
- Verify product application complies with manufacturer design recommendations.
- Verify the availability of necessary tools and incidental material.
- Verify applicable code requirements. Field assembly and installation are subject to acceptance by local inspection authority.
- Appropriate safety equipment to be determined by end user, per applicable safety standards and precautions.

-Adjustable angle installation

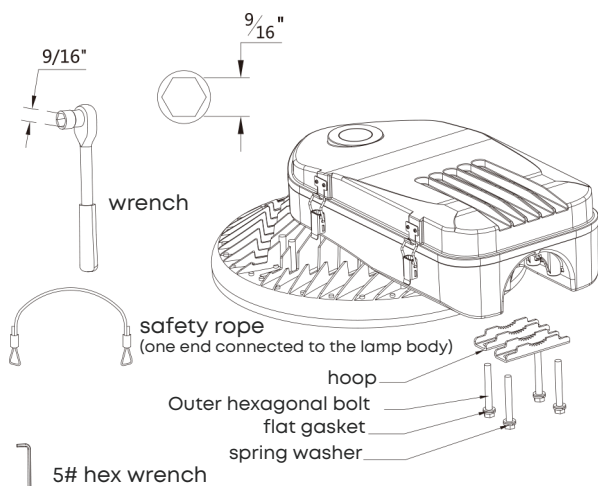
I. Fixture body adjustable angle: -5° , 0° , $+5^{\circ}$



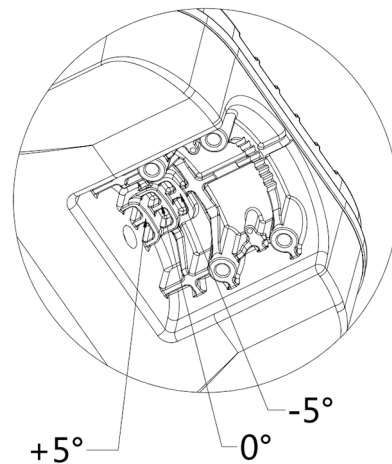
II. Fits outside diameter (OD) from $1\frac{5}{8}$ " to $2\frac{3}{8}$ " round pole



III. Tools and accessories

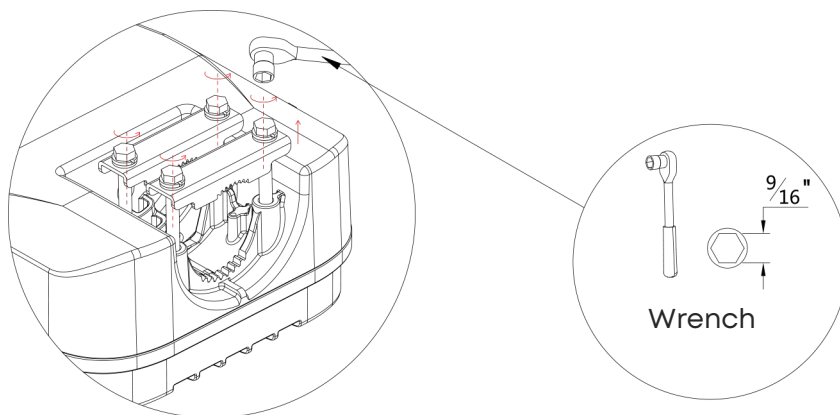


IV. Diagram of step angle

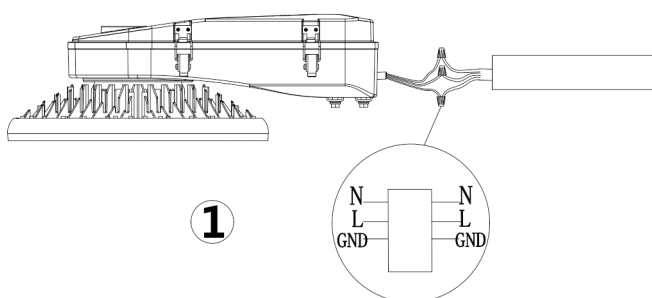


-Adjustable angle installation procedure

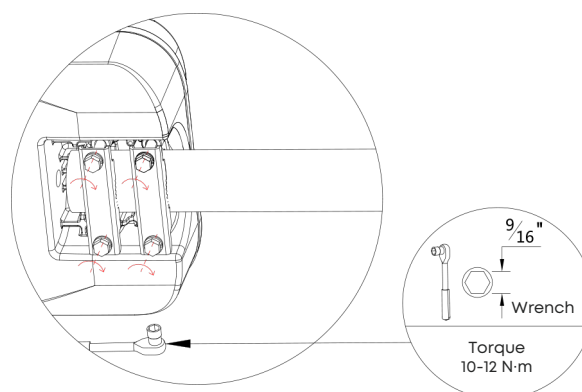
1. Loosen the four retaining screws without removing them.



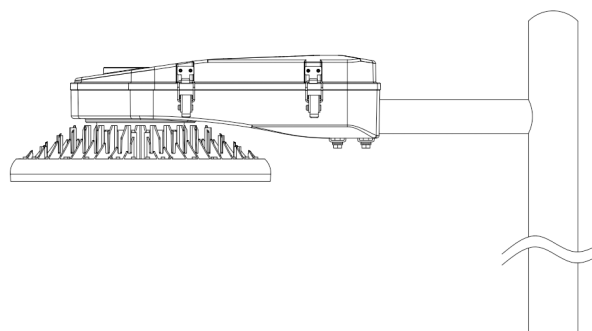
2. Connect the wires of the lamp and the lamp post to their corresponding terminals (L, N, GND), insert the lamp tube into the lamp post, and choose the appropriate angle.



3. Confirm the installation angle and tighten the retaining screws (torque 10-12 N·m).

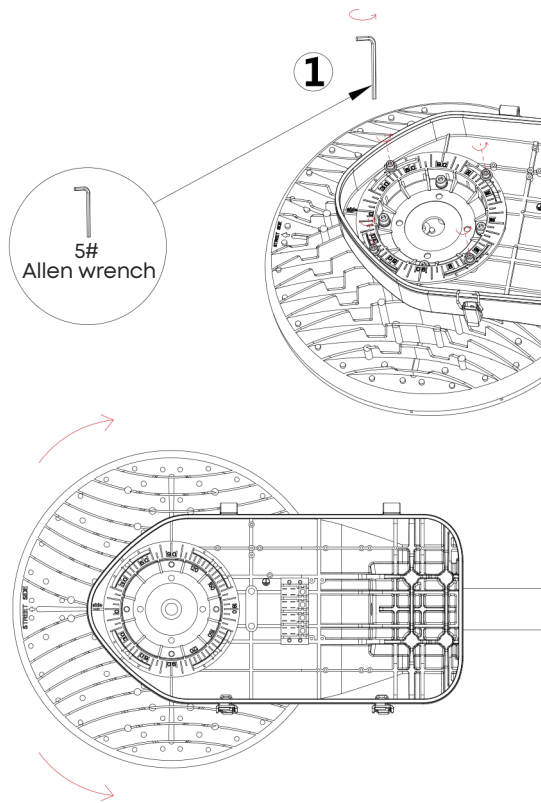


4. Installation complete.

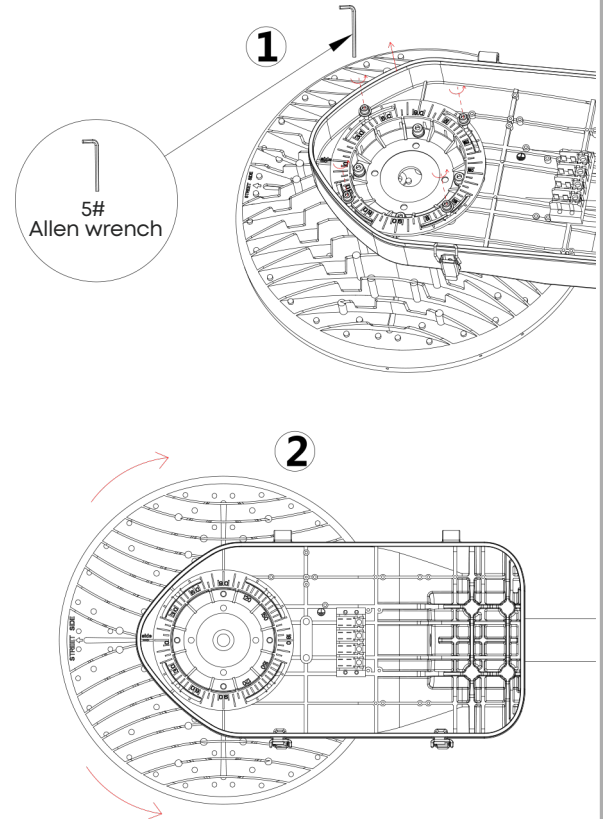


-Use the dial to adjust the angle.

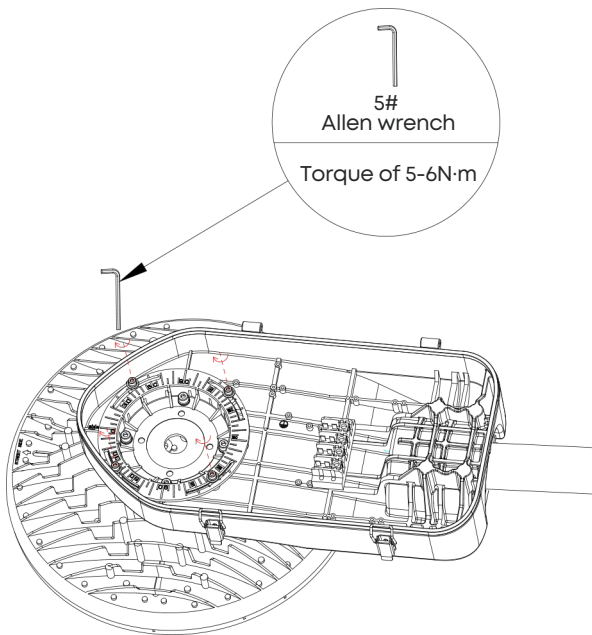
1. Loosen the four screws without removing them;
2. Can rotate at an angle of $\pm 20^\circ$.



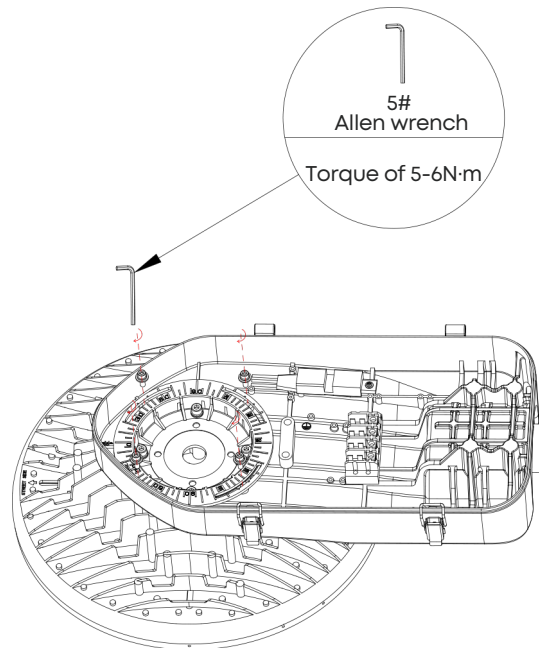
1. Unscrew the four screws;
2. Can rotate 360° .



3. Tighten the screws with a torque of 5-6N·m.

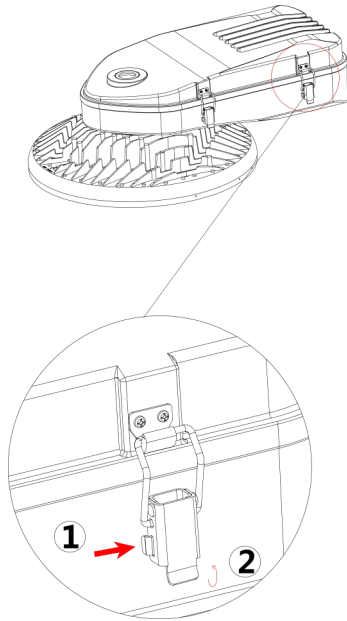


3. Tighten the screws with a torque of 5-6N·m.

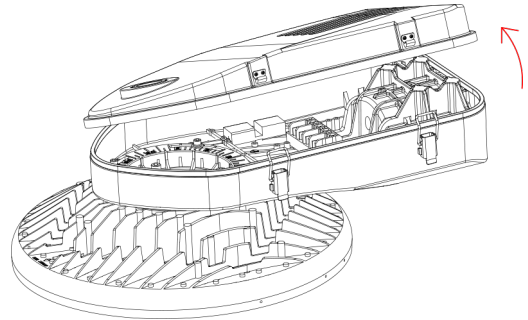


-Open the power supply box cover

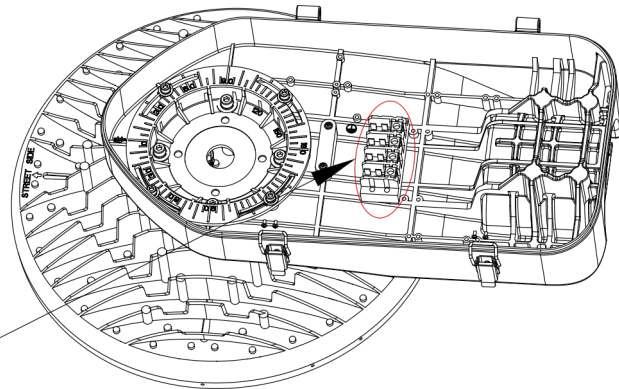
1. Press the metal hook and it won't come loose;
2. Flip open the metal plate.



3. Open the power supply box cover

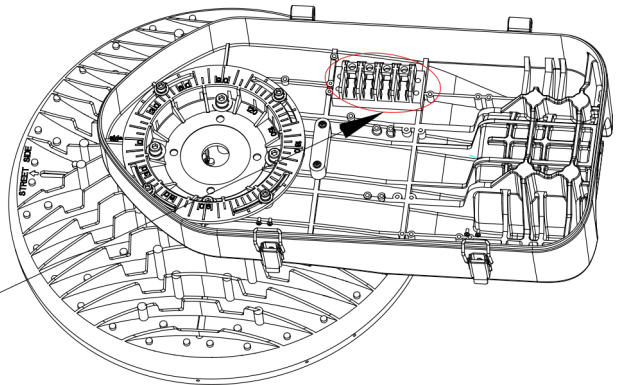


Install a power supply with less than 320W and place terminals



Binding post

Install a power supply with more than 320W and place terminals



Binding post