

Installation Guide

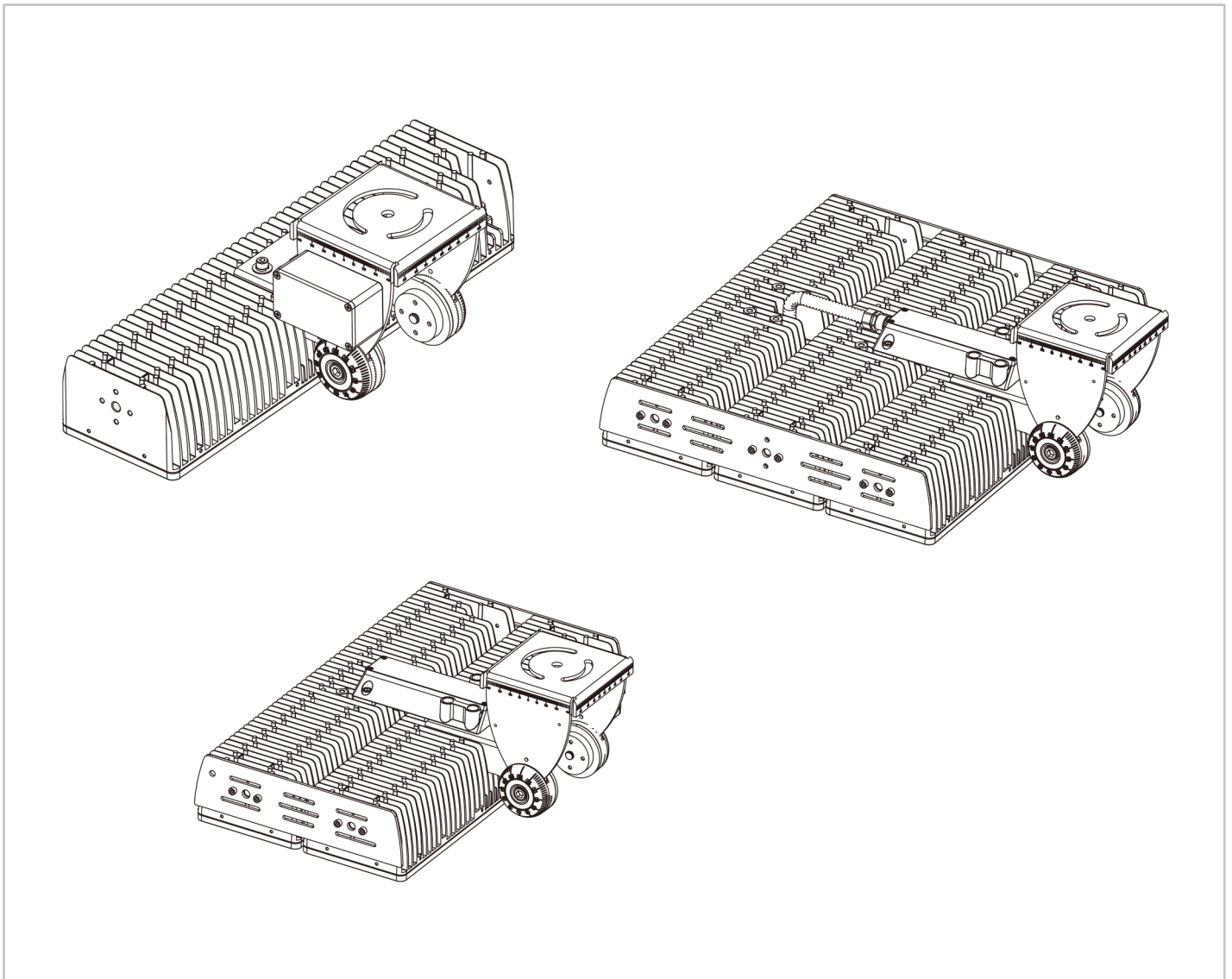
This procedure is designed as an installation aid. Skilled tradespeople that are familiar with general construction and electrical installation techniques should perform the installation. Licensed electricians should provide electrical installation connections. Installations and connections should be done in accordance with all national and local codes and permits. In no way is this document intended to construe warranty or fitness of use of the products described, nor is it intended to provide safety instruction for those installing the product.

⚡ WARNING

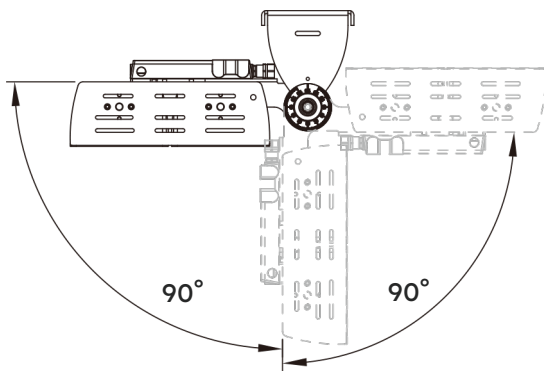
Before proceeding with installation or service maintenance of this product:

- Disconnect power to reduce electrical shock risk.
- Review the entire Installation Guide.
- Inspect this properly packaged product for any damage that may have occurred during transit.
- Verify product application complies with manufacturer design recommendations.
- Verify the availability of necessary tools and incidental material.
- Verify applicable code requirements. Field assembly and installation are subject to acceptance by local inspection authority.
- Appropriate safety equipment to be determined by end user, per applicable safety standards and precautions.

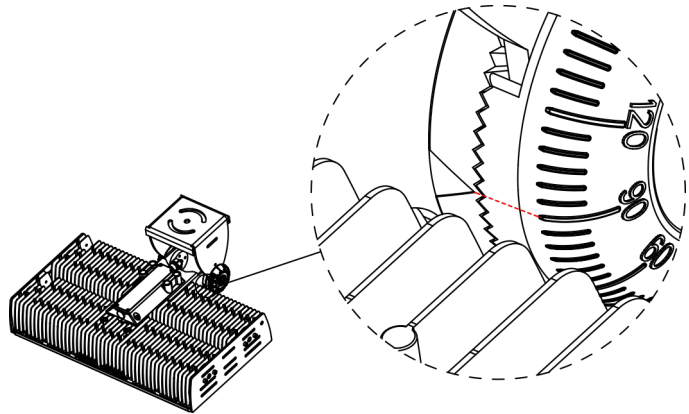
Type-A Bracket Installation



I: Rotation Angle 180°



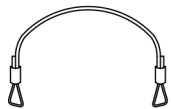
II: Angle marking



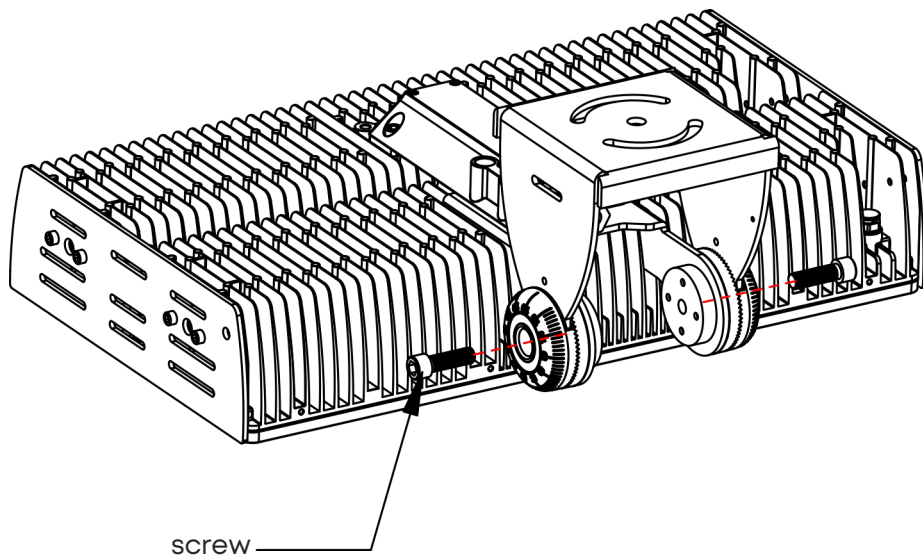
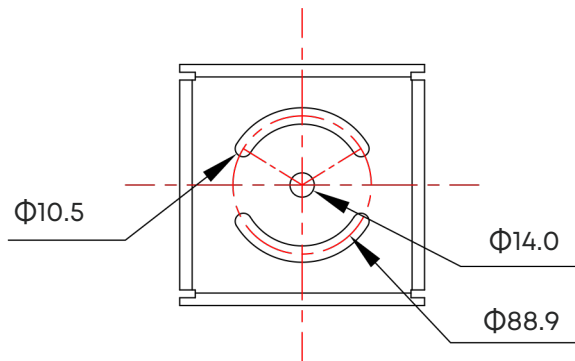
III: Tools



10# hex wrench

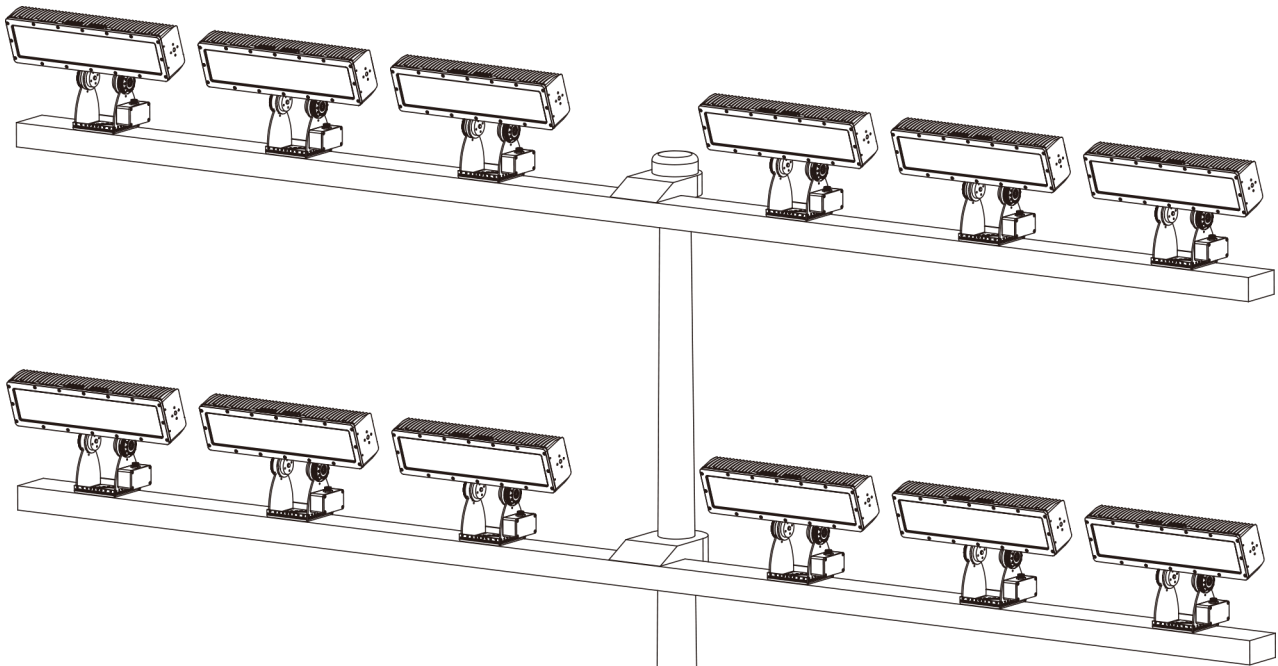


Safety rope
(The lamp body is attached to one end of the rope)



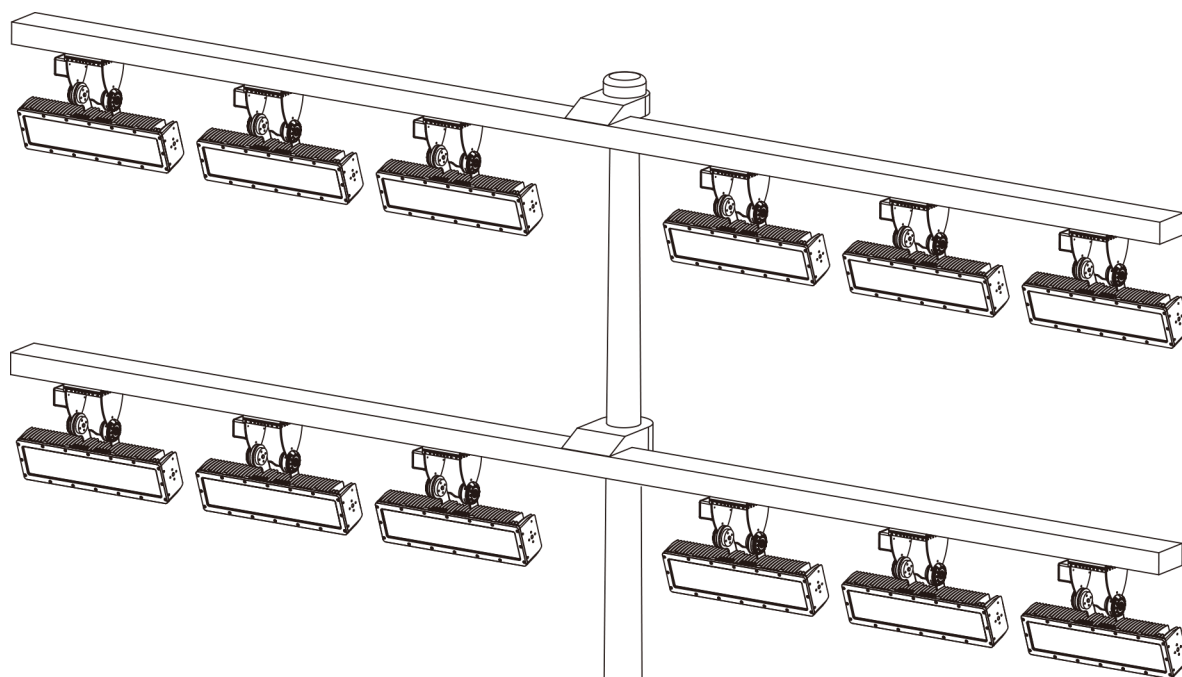
Matters Needing Attention

1. If installing on a single level, when adjusting the direction of the luminaires according to the light distribution simulation requirements, please pay attention to whether there is any mutual light blocking between the luminaires.
2. If installing on multiple levels, such as double or multiple layers, according to the light distribution simulation requirements, please pay attention to whether there is any light blocking between the upper and lower luminaires.



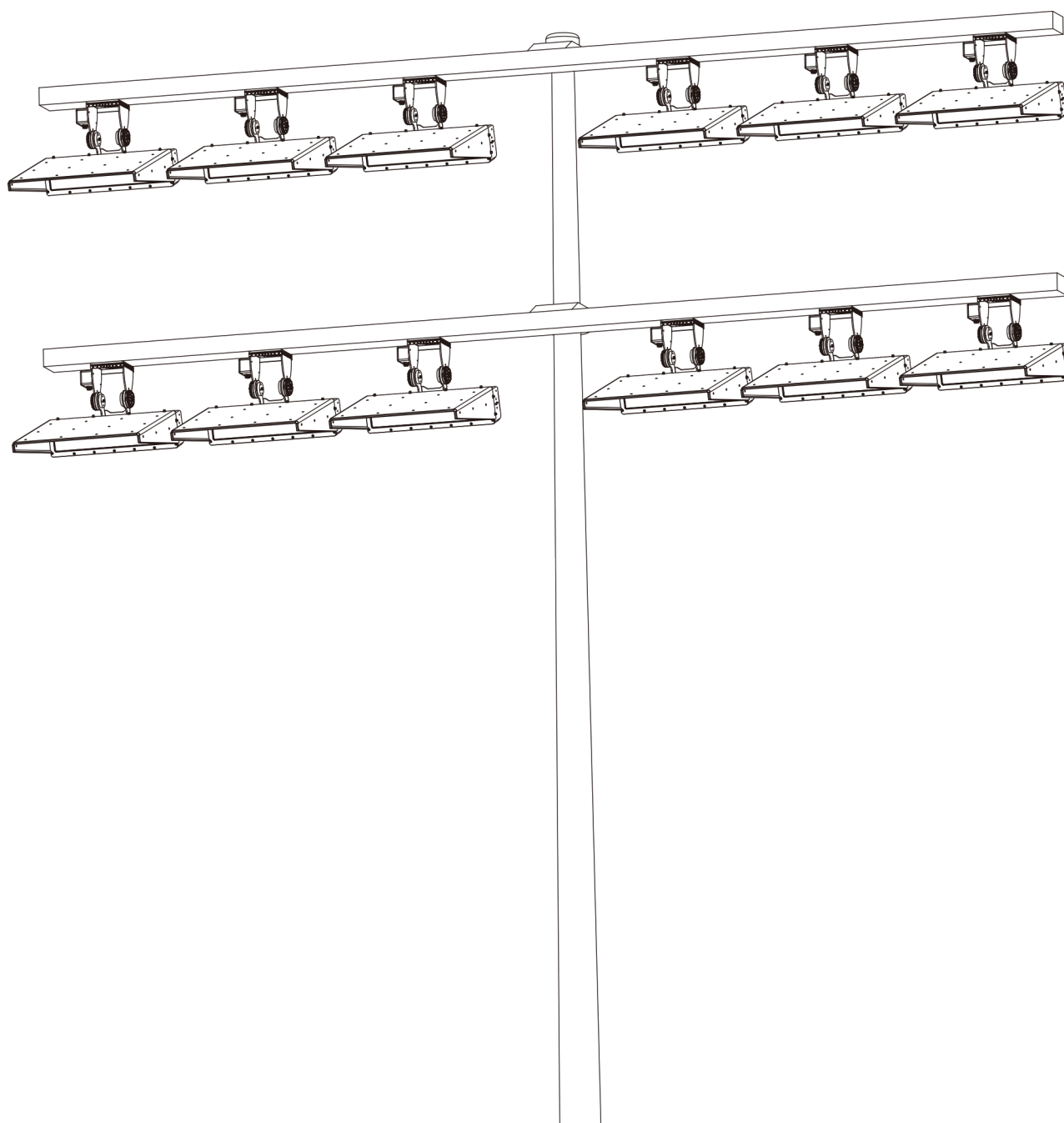
1. If installing on a single level, when adjusting the direction of the luminaires according to the light distribution simulation requirements, please pay attention to whether there is any mutual light blocking between the luminaires.

2. If installing on multiple levels, such as double or multiple layers, according to the light distribution simulation requirements, please pay attention to whether there is any light blocking between the upper and lower luminaires.



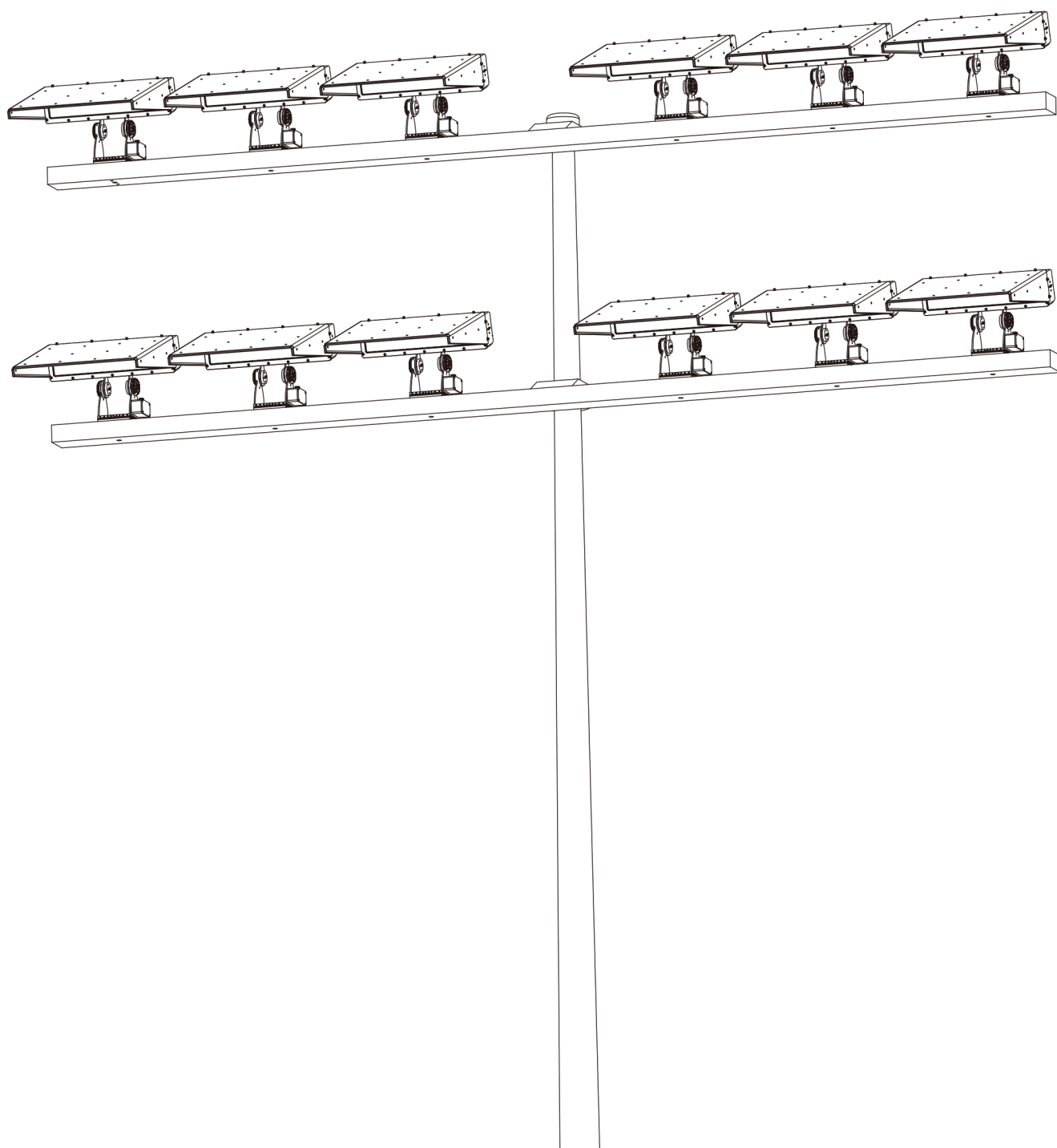
1. If installing on a single level, when adjusting the direction of the luminaires according to the light distribution simulation requirements, please pay attention to whether there is any mutual light blocking between the luminaires.

2. If installing on multiple levels, such as double or multiple layers, according to the light distribution simulation requirements, please pay attention to whether there is any light blocking between the upper and lower luminaires.



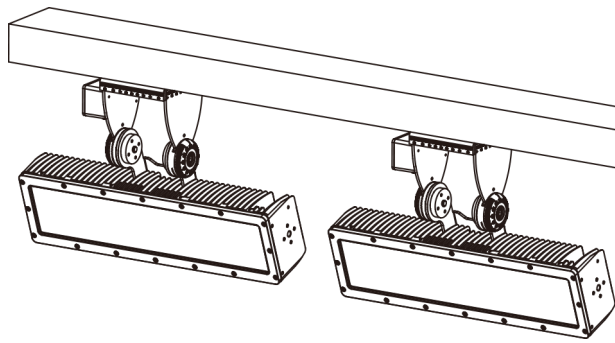
1. If installing on a single level, when adjusting the direction of the luminaires according to the light distribution simulation requirements, please pay attention to whether there is any mutual light blocking between the luminaires.

2. If installing on multiple levels, such as double or multiple layers, according to the light distribution simulation requirements, please pay attention to whether there is any light blocking between the upper and lower luminaires.

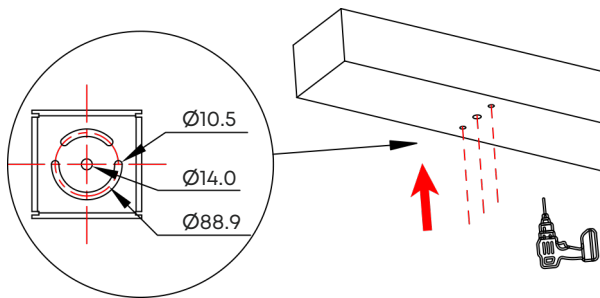


Installation Procedure

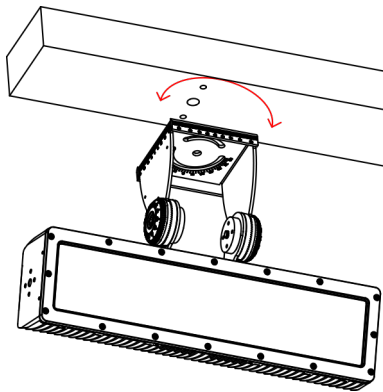
Mounting under the rod arm



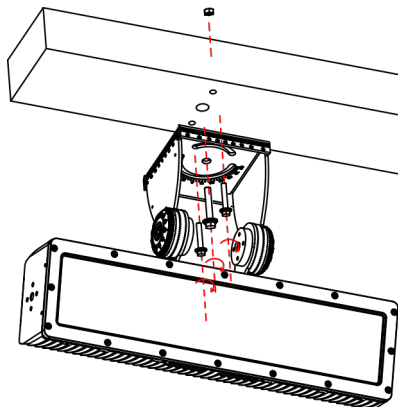
1. Drill holes on the lamp pole according to the hole position of the lamp bracket.



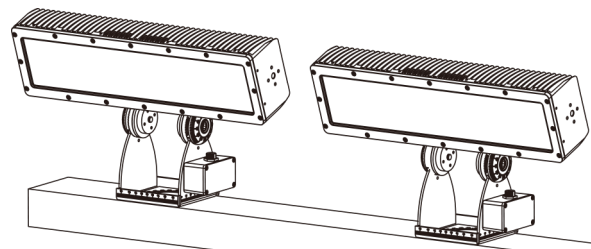
2. Adjust the installation Angle according to the computer simulation.



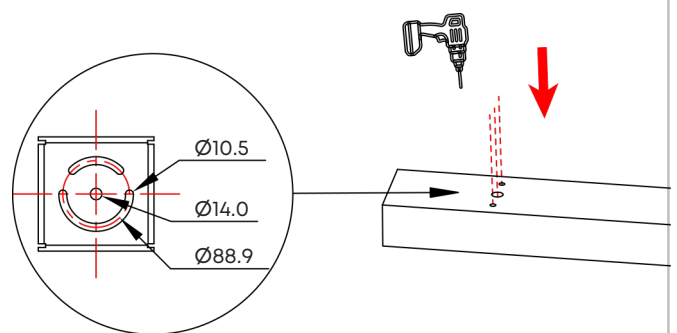
3. Tighten the screws to secure the lamp.



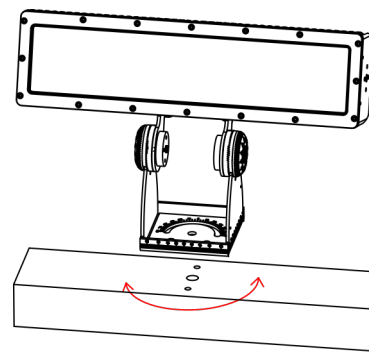
Mounting on the rod arm



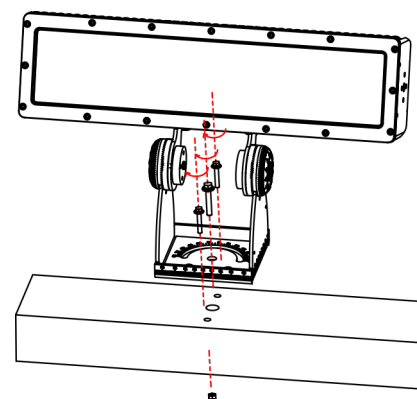
1. Drill holes on the lamp pole according to the hole position of the lamp bracket.



2. Adjust the installation Angle according to the computer simulation.

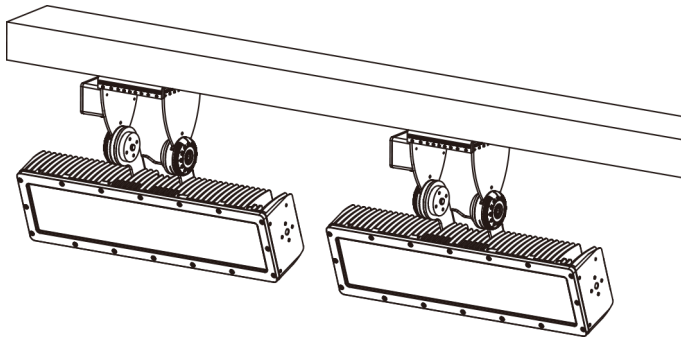


3. Tighten the screws to secure the lamp.

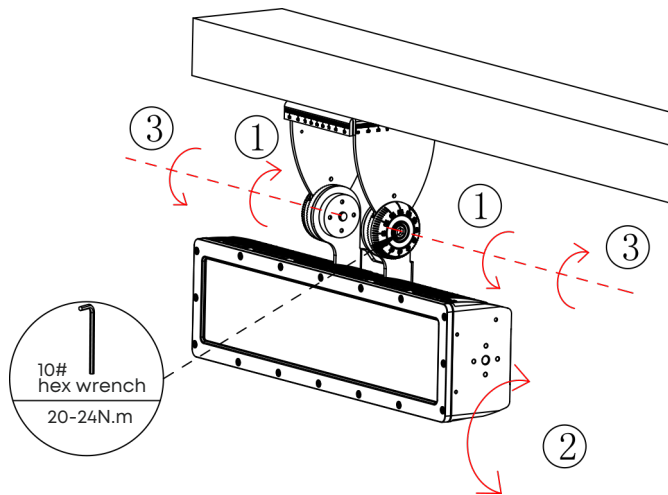


Adjust Angle

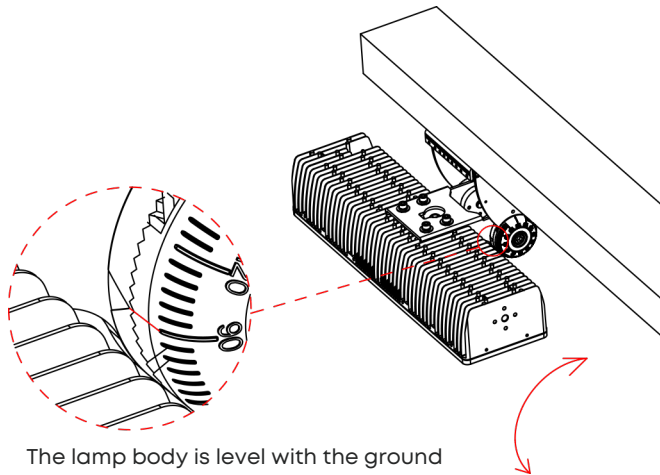
Mounting under the rod arm



1. Loosen the screws without taking them out;
2. Rotate the lamp body and adjust the Angle according to the simulation requirements;
3. Tighten screws (torque 20-24N.m).

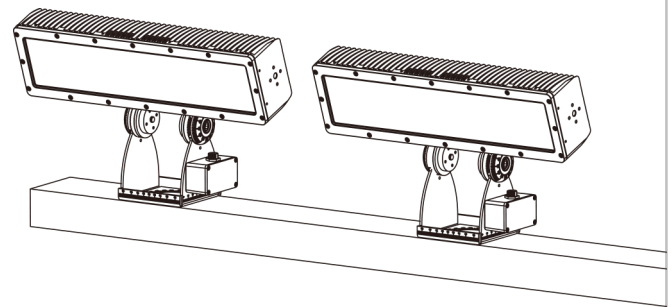


The maximum adjustment Angle for PG60 light distribution is $\pm 15^\circ$

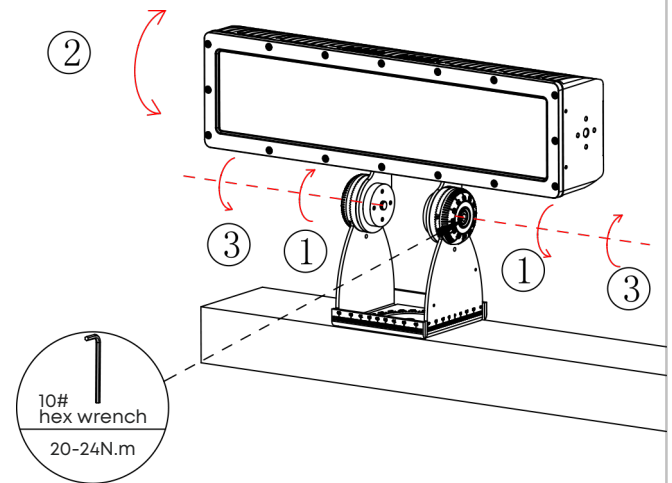


The lamp body is level with the ground

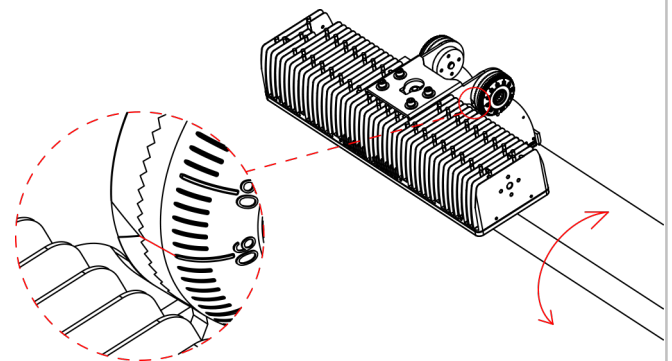
Mounting on the rod arm



1. Loosen the screws without taking them out;
2. Rotate the lamp body and adjust the Angle according to the simulation requirements;
3. Tighten screws (torque 20-24N.m).



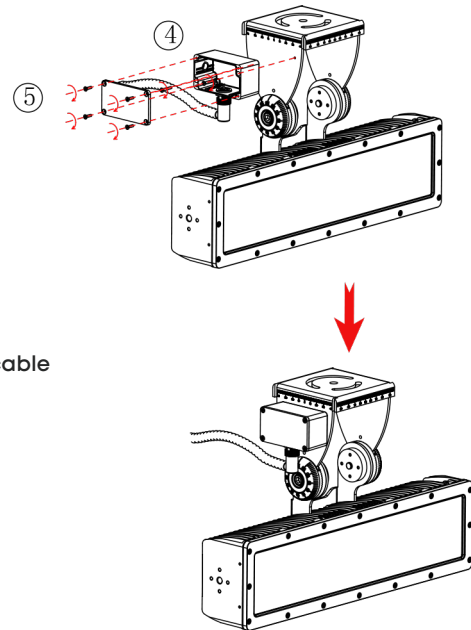
The maximum adjustment Angle for PG60 light distribution is $\pm 15^\circ$



The lamp body is level with the ground

Wiring

1. Unscrew four screws and remove the cover of the junction box;
2. Connect the DC cable of the power output terminal to the input cable of the indicator board (V+, V- connection).
3. Tighten the waterproof connector (a maximum waterproof connector $\varnothing 10\text{mm}$ outer diameter wire).
4. Fix the junction box on the lamp bracket;
5. Lock the terminal box cover with screws.



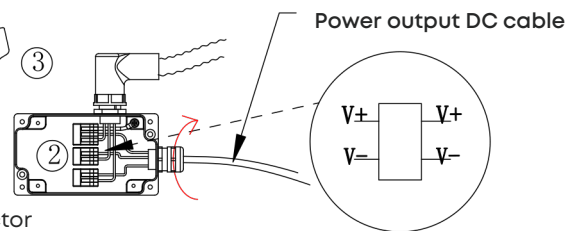
Tools:



Cross Screwdriver



wrench
M16 waterproof connector



1. Remove the four screws to open the terminal box cover;
2. Connect the DC cable of the power output terminal to the input cable of the indicator board (V+, V- connection).
3. Tighten the waterproof connector (The waterproof connector can make a maximum $\varnothing 10\text{mm}$ outer diameter wire).
4. Close the terminal box cover and lock the terminal box cover with screws.

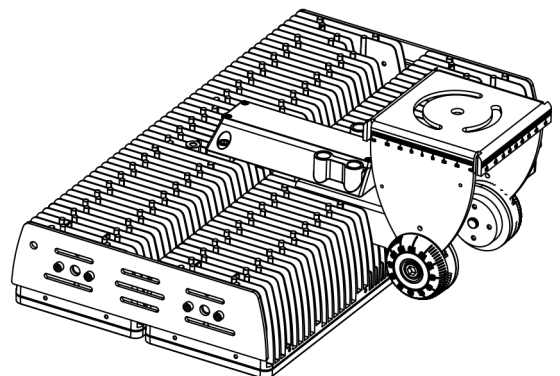
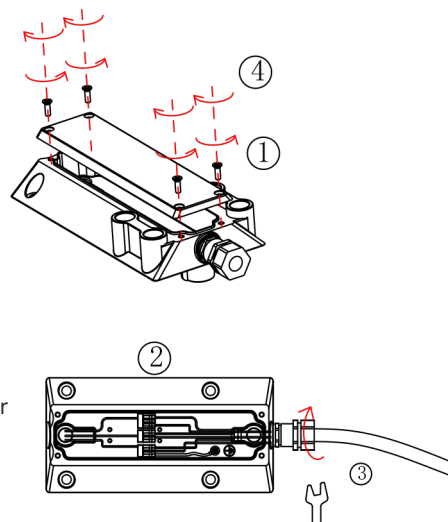
Tools:



Cross Screwdriver



wrench
M16 waterproof connector



Wiring (three modules)

1. Remove the four screws to open the terminal box cover;
2. Connect the DC cable of the power output terminal to the input cable of the indicator board (V+, V- connection).
3. Tighten the waterproof connector (The waterproof connector can make a maximum $\varnothing 10\text{mm}$ outer diameter wire).
4. Close the terminal box cover and lock the terminal box cover with screws.

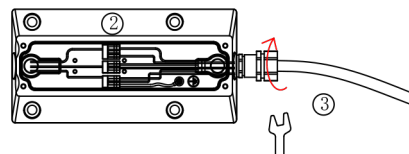
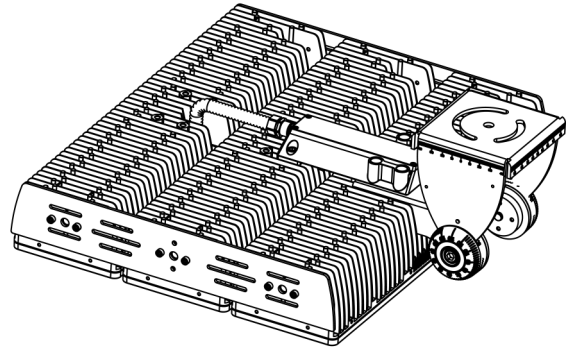
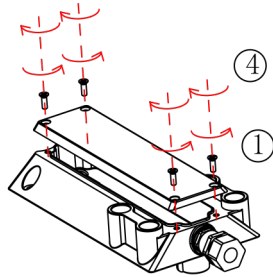
Tools:



Cross Screwdriver



wrench
M16 waterproof connector



AC input cable connection (three output power supplies only)

1. Loosen the four screws and open the power cover.
2. Connect the AC cable to the power input terminal (connect the L, N, and GN terminals).
3. Tighten the AC end waterproof connector (The waterproof connector can make a maximum $\varnothing 13\text{mm}$ outer diameter wire).
4. Tighten the screws to secure the power cover.

Note: The DC waterproof connector of the power supply is the most Large $\varnothing 10\text{mm}$ outer diameter wire rod.

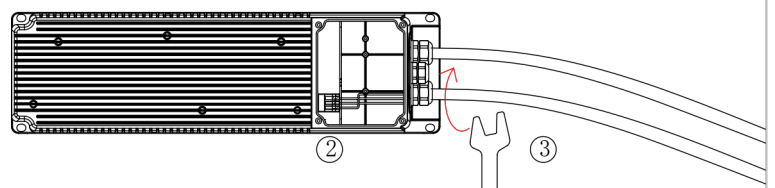
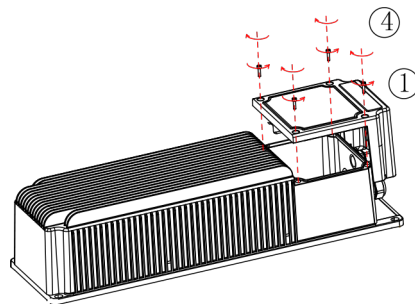
Tools:



3 hex wrench.

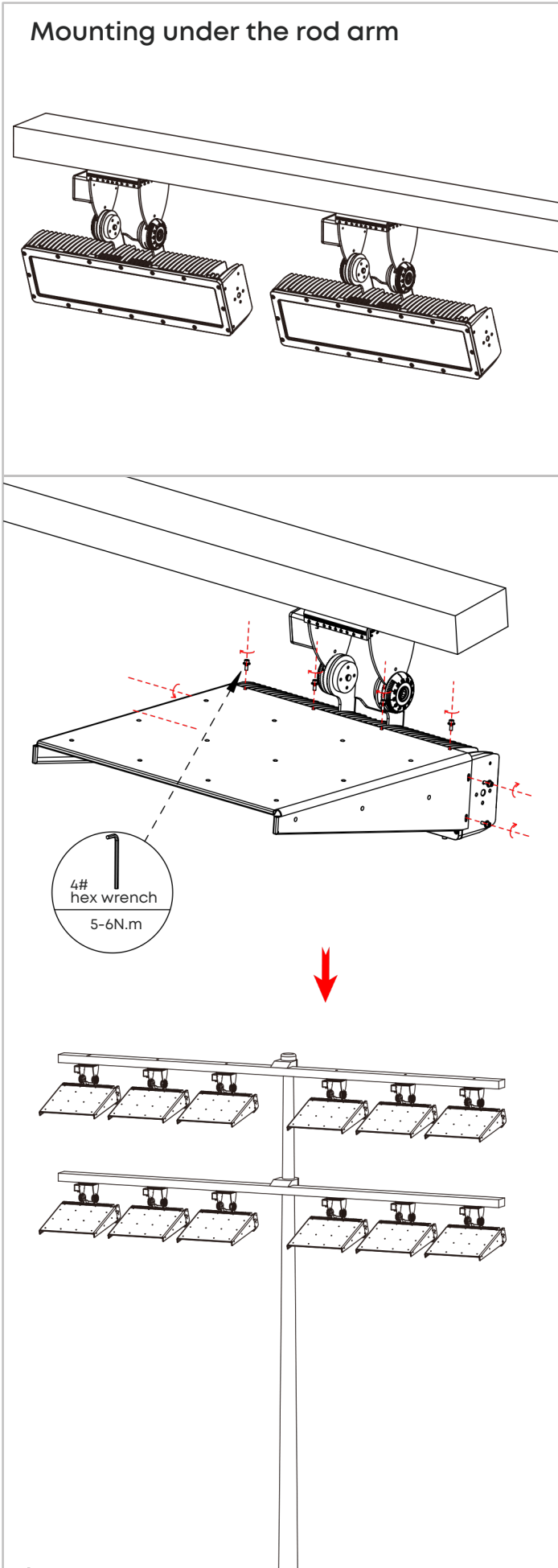


wrench
M25 waterproof connector



Install the Visor

Mounting under the rod arm



Mounting on the rod arm

