

200+ Patent Certificates
\$1,000,000+ Annual Energy Saving
20,000+ Projects Successfully Installed



IP/IPS Series LED Garden Light

Power: 25W - 300W



Innovative & Tailored
Lighting Solutions for **Success**
www.aokledlight.com

Features of **IP(S)** Series



For other certificates please request



Benefits for choosing IP/IPS



• **Self-Clean Cover**

Streamlined design, elegant styling, and smooth lines.



• **Exceptional Impact Resistance**

Polycarbonate lens with 5mm thick tempered glass for IK09 impact rating and 3G shake-proof.



• **Flexible Installation**

Choose from 4 installation methods, suitable for different scenarios.



• **Multiple Accessories and Options**

Supports accessories and options such as Photocell (Nema), 3pin/7pin bases, ZigBee, LoRa, Zhaga bases, Dali, Casambi, NB-IoT control, and more.



● WARRANTY

5 Year Limited Warranty,
10 Year Preferred Warranty.

Please consult with our sales for detailed agreement.

IP(S) series is designed to provide ambient and residential lighting. Its elegant and harmonious design makes it not only a lantern, but also a work of art.



- Robust die-cast aluminum housing.
- UV stabilized polyester powder paint finish for durability and corrosion resistance.
- Multiple mounting options: Post top I&II, side entry and cable suspending installation available.
- With Tempered Glass Cover to protect the optics.
- Uniform luminous flux and low glare.
- IP66 IK09.
- Compatible with DALI, Zhaga / Nema standards, Presence detection sensor.
- 1-10V/ PMW/ timer dimming, 3 timer modes, Dim-to-Off with standby power $\leq 0.5W$.
- 3G vibration rating



IPS(25W-60W)



IP(25W-300W)

UPTO 135 lm/W	CLASS I AND CLASS II	WORKING TEMPERATURE ENVIRONMENT -40°C~50°C (-40°F~122°F)	100-277VAC 50 / 60HZ	IP66 IK09	ULR =0%
3G VIBRATION TESTING PASSED	THD MIN. < 8%	CRI Ra70/80/90	2 7 0 0 K 3 0 0 0 K 4 0 0 0 K 5 0 0 0 K 5 7 0 0 K 6 5 0 0 K	 DIM	

wally@akledlight.com
 +1 626-986-4050 (US)
 +86 755 2357 9148 (CN)

©2024 AOK LED LIGHT CO., LTD. All Right Reserved.



Fabulous **Design**

- The design features a die-cast aluminum housing, ensuring durability.
- The absence of visible hardware enhances its aesthetic appeal.
- Its sleek and low-profile design showcases an attractive round form.
- Dynamic thermal management safeguards electrical components from exceeding temperature limitations.



Post Top I



Post Top II

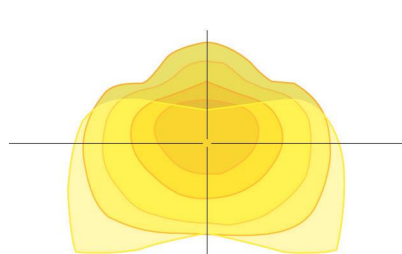


Side Entry

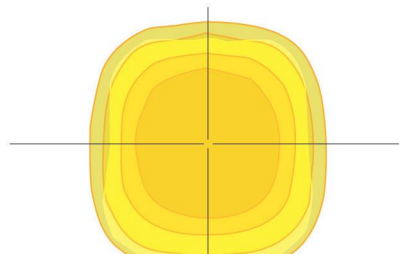


Cable Suspended

Photometry Design



Type IV (83° x 142°)



Type V (143° x 146°)

Pedestrian cityscape requires an architectural luminaire to enhance the site by day and to provide visual comfort and security by night. IP series offers precise optical control up to 135 lumens per watt with distinct optimally designed distributions.

Application Reference

- Urban road & street lighting
- Residential area lighting
- Parks & perimeter lighting
- Tramway path lighting
- Riverside & jogging track



Parameter Table (IP Series)

Electrical Data							
Model	AOK-25WIP	AOK-50WIP	AOK-75WIP	AOK-120WIP	AOK-150WIP	AOK-240WIP	AOK-300WIP
Power	25W	50W	75W	120W	150W	240W	300W
Input Voltage	100-277VAC, 50/60Hz						
THD	<8% (Classic); <10% (220VAC@full load); <20% (100-277VAC@full load)						
PF	> 0,98						
Driver	Sosen / Meanwell / Inventronics / Philips. Class 1/ Class 2, EU						
Ambient Temperature	-40°C to 50°C						-40°C to 45°C
Storage Temperature	-40°C to 80°C (-40 °F to 176 °F)						
Control Option	DALI, 1-10V/ PWM / timer dimming, Nema, Presence detection sensor. Dim-to-Off with standby power <= 0.5W.						
Surge Protection	10kV / 20kV optional						
Photometric Data							
Efficacy (lm/W, Std. Dev. ±5%)@CCT=4000K, CRI>70Ra	130lm/W	125lm/W	120lm/W	115lm/W	110lm/W	135lm/W	130lm/W
Luminous Flux (lm, Std. Dev. ±5%)@CCT=4000K, CRI>70Ra	3250lm	6250lm	9000lm	13800lm	16500lm	32400lm	39000lm
ULOR	= 0%, @ Luminaire inclination 0°						
CCT	2700K, 3000K, 4000K, 5000K, 5700K, 6500K						
CRI	70Ra, 80Ra, 90Ra optional						
Beam Angle	Type IV (83° x 142°) / Type V (143° x 146°)						
LED Manufacturer	LUMILEDS/ Seoul / Others						
LED Model	3030	3030	3030	3030	3030	3030	3030
Working Current of Single LED	30mA	60mA	80mA	100mA	100mA	120mA	120mA
Lens	Polycarbonate (Better impact resistance than glass)						
Mechanical Data							
IP/IK	IP66 / IK09, according to standard EN 60529 and EN 62262						
Vibration Resistance	3G, conform to standard IEC 68-2-6.						
SCx	0.026m ²			0.197m ²			
Materials	High strength die-cast aluminum housing (EN AC-46100)						
Protection	Polycarbonate, with tempered glass cover (5 mm thick)						
Painting	RAL 9006 Silver gray / RAL 9005 Black, Customized color						
Surface Treatment	Anti-UV thermosetting polyester / 80-120 micron epoxy primer + Anti-UV thermosetting polyester (for extremely corrosive environments).						
Cable	Pre-wired with a 30 cm cable (Other lengths on request)						
Mounting	Cable suspended, Side entry, Post Top I, Post Top II						
Dimension (Without bracket)	Ø 460mm*80mm / Ø18.1*3.1 inches					Ø 520*91mm / Ø20.5*3.6 inches	
Others							
LED Lifespan	L90 >100 000h, The luminous flux of the LED is reduced by 10% (L90) of its initial value at 100000 hours						
Warranty	5 years in standard, 10 years optional						
Certification	IECEE CB, CE, RoHS, ENEC (The company is ISO 9001 and ISO 14001 certified.)						
Net Weight	7.2 kg / 15.87 lbs	7.2 kg / 15.87 lbs	7.2 kg / 15.87 lbs	7.7 kg / 16.98 lbs	7.7 kg / 16.98 lbs	9.5 kg / 20.94 lbs	9.5 kg / 20.94 lbs
Gross Weight	9.3 kg / 20.50 lbs	9.3 kg / 20.50 lbs	9.3 kg / 20.50 lbs	9.8 kg / 21.61 lbs	9.8 kg / 21.61 lbs	11.5 kg / 25.35 lbs	11.5 kg / 25.35 lbs
Carton Size (Post Top I)	590*590*135mm / 23.2*23.2*5.3 inches	590*590*135mm / 23.2*23.2*5.3 inches	590*590*135mm / 23.2*23.2*5.3 inches	590*590*135mm / 23.2*23.2*5.3 inches	590*590*135mm / 23.2*23.2*5.3 inches	660*590*140mm / 26.0*23.2*5.5 inches	660*590*140mm / 26.0*23.2*5.5 inches
Carton Size (Post Top II)	590*590*145mm / 23.2*23.2*5.7 inches	590*590*145mm / 23.2*23.2*5.7 inches	590*590*145mm / 23.2*23.2*5.7 inches	590*590*145mm / 23.2*23.2*5.7 inches	590*590*145mm / 23.2*23.2*5.7 inches	660*590*150mm / 26.0*23.2*5.9 inches	660*590*150mm / 26.0*23.2*5.9 inches
Recommended Installation Height	3~6 m	3~6 m	3~6 m	4~9 m	4~9 m	5~12 m	5~12 m
Application Field	Urban road & streets, residential areas, parks & perimeter, tramway path, riverside & jogging track						
Important Note!	The provided information is solely for reference; the official measurement report holds higher authority.						

Parameter Table (IPS Series)

Power:	25WiPS, 50WiPS, 60WiPS	Scx:	0.022m ²
Input Voltage:	100-277V, 50/60Hz;	IP/IK Rating:	IP66/IK08, (EN 60529 and EN 62262)
THD:	<9%	Lifespan:	L90B10 > 52000h, @Ta 25°C
Power Factor:	>0.98	Housing Material:	Die-cast aluminum (EN AC-46100)
Operating Temp:	-40°C to 50°C (-40 °F to 122 °F)	Finish:	UV stabilized polyester powdering
Storage Temp:	-40°C to 80°C (-40 °F to 176 °F)	Painting:	Same as IP series
Lens:	Same as IP series	Working Current of Single LED:	140mA
Efficacy(Std. Dev. ±5%):	132lm/W, 130lm/W, 130lm/W	Dimension:	Ø410*71mm / Ø16.1*2.8 inches
Lumen Flux(Std. Dev. ±5%):	3300lm, 6500lm, 7800lm	Carton Size(Post top I/II):	600*550*150mm / 23.6*21.6*5.9 inches
CCT & CRI:	Same as IP series	Net Weight:	5.7kg / 12.57 lbs
Beam Angel:	Same as IP series	Gross Weight:	6.6kg / 14.55 lbs

Ordering Information

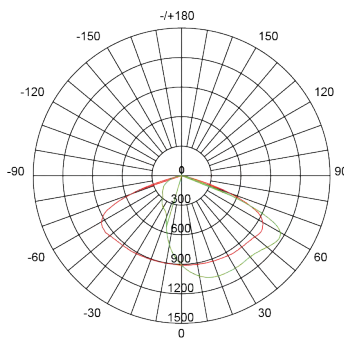
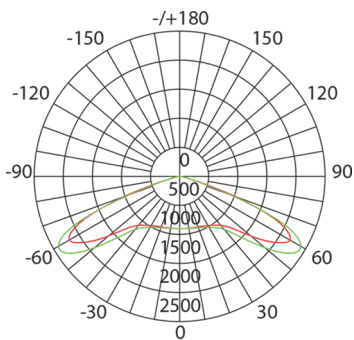
AOK	WATTS	VOLTAGE	LED CHIPS	TYPE OF SENSOR	CCT&CRI	DISTRIBUTION	MOUNT	HOUSING
	25WiP(S)	NV=100-277V	L3=LUMILEDS 3030	00=Without Sensor	2770=2700K 70CRI	T4=Type IV (83° x 142°)	A=Post Top I	SG=Silver Gray
	50WiP(S)		S3=Seoul 3030	SN=Motion sensor	3070=3000K 70CRI	T5=Type V (143° x 146°)	B=Side Entry	BK=Black
	60WiPS			DV=Dimmable	4070=4000K 70CRI		C=Cable Suspended	Custom on request
	75WiP			PH=Photocell	5070=5000K 70CRI		D=Post Top II	
	120WiP				5770=5700K 70CRI			
	150WiP				2780=2700K 80CRI			
	240WiP				3080=3000K 80CRI			
	300WiP				5080=5000K 80CRI			
					5780=5700K 80CRI			

Accessories

SPD 10kV, 20kV optional
R3=3 Pin Receptacle
R7=7 Pin Receptacle

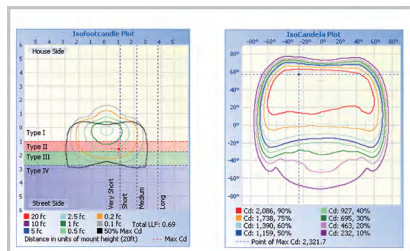
* IP power range: 25W-300W; IPS power range: 25W-60W

Photometry & Illuminance Diagram

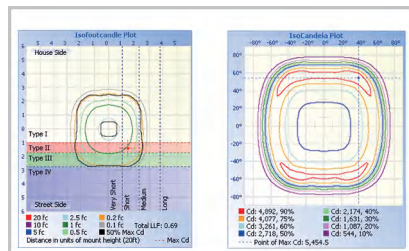


UNIT:cd
— C0/180 Ic:905.3 — C90/270 Ic:905.3
73.0,73.0 72.2,72.2

UNIT: cd
— C0/180, 142.2° Ic:909.4 — C90/270, 84.4° Ic: 1085



Type IV (83° x 142°)



Type V (143° x 146°)

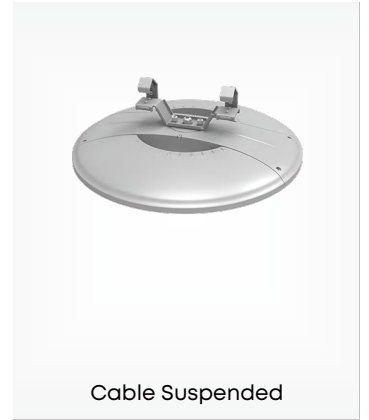
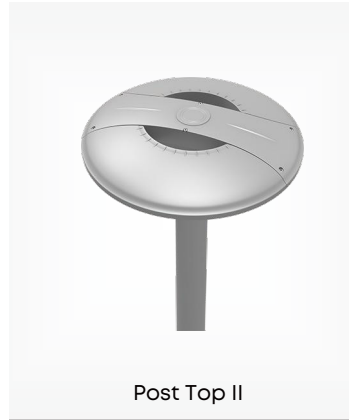
COLOR TEMPERATURE

COLOR TEMPERATURE (CCT)	CRI (NOMINAL)	MULTIPLIER
4000	70	1.00
3000	70	0.91
2700	80	0.89

All published Luminaires photometric testing performed to IESNA LM-79-08 standards by a NVLAP accredited Laboratory.

Accessories

Flexible Installation Options

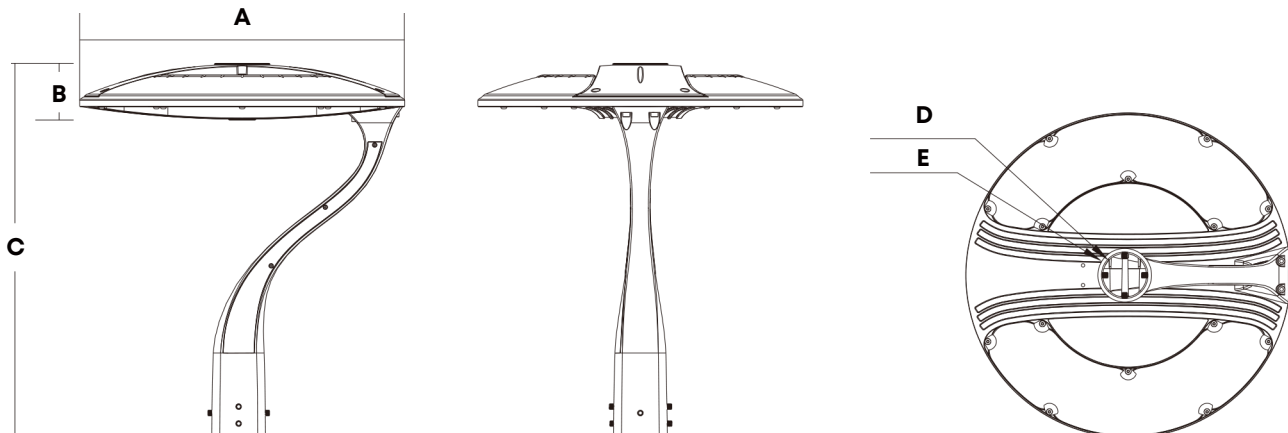


Controller & Receptacle



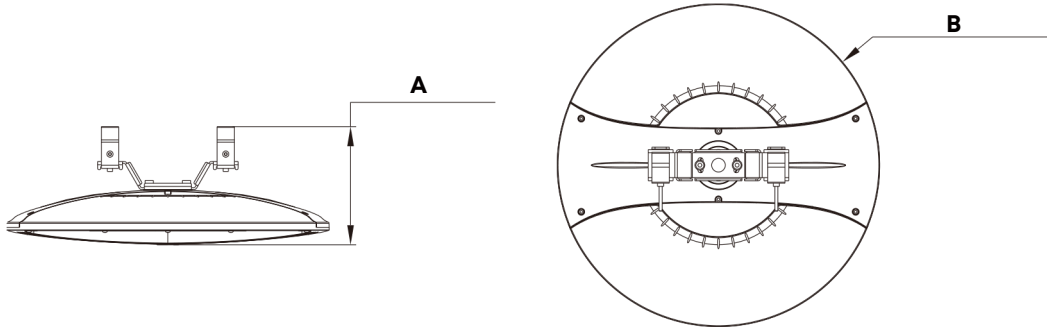
Dimensions

Post Top I	A	B	C	D	E
IP Series 25W-150W	Ø460.0mm Ø18.1 inches	80.0mm 3.1 inches	530.0mm 20.9 inches	Ø62.0mm Ø2.4 inches	Ø76.0mm Ø3.0 inches
IPS Series 25W-60W	Ø410.0mm Ø16.1 inches	70.0mm 2.8 inches	521.0mm 20.5 inches	Ø62.0mm Ø2.4 inches	Ø76.0mm Ø3.0 inches
IP Series 240W-300W	Ø520.0mm Ø20.5 inches	82.0mm 3.2 inches	539.0mm 21.2 inches	Ø62.0mm Ø2.4 inches	Ø76.0mm Ø3.0 inches



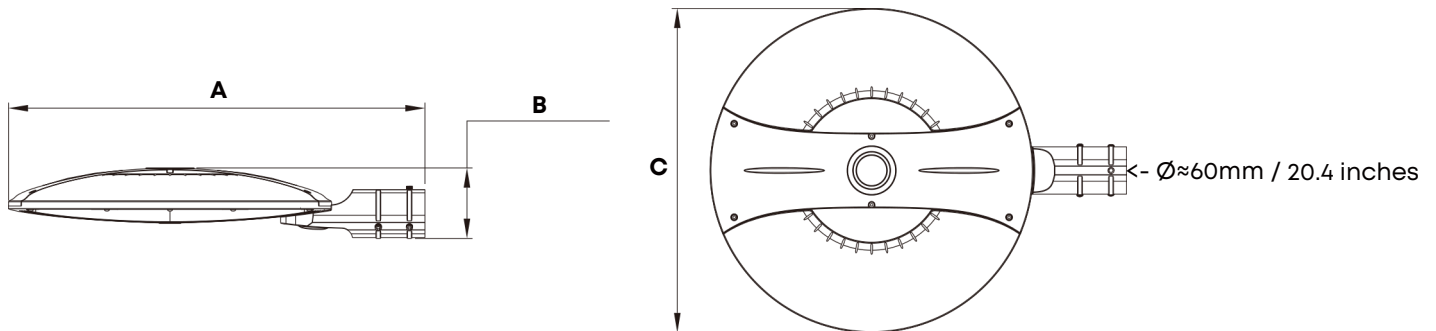
Cable suspended

	A	B
IP Series 25W-150W	182.0mm 7.2 inches	Ø460.0mm Ø18.1 inches
IPS Series 25W-60W	172.0mm 6.8 inches	Ø410.0mm Ø16.1 inches
IP Series 240W-300W	190.0mm 7.5 inches	Ø520.0mm Ø20.5 inches



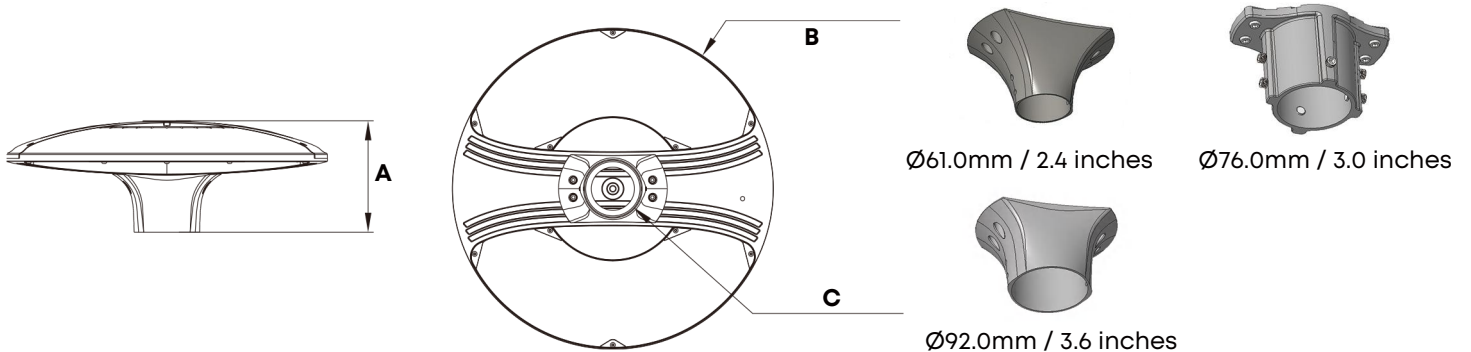
Side entry

	A	B	C
IP Series 25W-150W	612.0mm 24.1 inches	106.0mm 4.2 inches	Ø460.0mm Ø18.1 inches
IPS Series 25W-60W	560.0mm 22.0 inches	97.0mm 3.8 inches	Ø410.0mm Ø16.1 inches
IP Series 240W-300W	670.0mm 26.4 inches	113.0mm 4.4 inches	Ø520.0mm Ø20.5 inches



Post top II

	A	B	C
IP Series 25W-150W	172.0mm 6.8 inches	Ø460.0mm Ø18.1 inches	Ø61.0mm/Ø76.0mm/Ø92.0mm Ø2.4 inches/Ø3.0 inches/Ø3.6 inches
IPS Series 25W-60W	160.0mm 6.3 inches	Ø410.0mm Ø16.1 inches	Ø61.0mm/Ø76.0mm/Ø92.0mm Ø2.4 inches/Ø3.0 inches/Ø3.6 inches
IP Series 240W-300W	180.0mm 7.1 inches	Ø520.0mm Ø20.5 inches	Ø61.0mm/Ø76.0mm/Ø92.0mm Ø2.4 inches/Ø3.0 inches/Ø3.6 inches





Quality, Honesty, Service and Innovation

Innovative & Tailored Lighting Solutions for **Success**



5 Year Limited Warranty,
10 Year Preferred Warranty.
Please consult with our sales for detailed agreement.

wally@aokledlight.com

www.aokledlight.com

+1 626-986-4050 (US)

+86 755 2357 9148 (CN)

Manufacturing:

Shenzhen: Building 1 & 4, St. George's Science and Technology Industrial Park, Shajing Street, Shenzhen, China, 518124.

Huizhou: Building 2, Yinghui Electronic Science and Tech Park, No. 6 Dongsheng North Rd, Chenjiang Street, Zhongkai High-tech Zone, Huizhou, China. 516006.

Fuzhou HQ: Room 301, Yujing Business Center Zone 1, No. 12 Baihuazhou road, Cangshan district, Fuzhou, China, 350007

Copyright ©2024 AOK LED LIGHT CO., LTD. All Right Reserved.