

**200+** Patent Certificates  
**\$1,000,000+** Annual Energy Saving  
**20,000+** Projects Successfully Installed



# HBA Series LED Highbay Light

Power: 100W/150W/200W

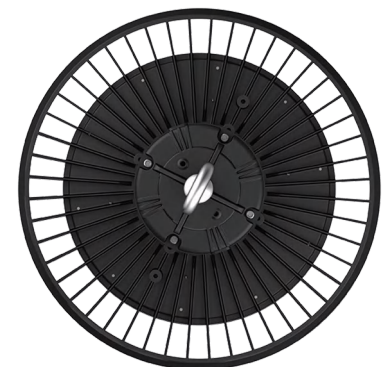


Innovative & Tailored  
Lighting Solutions for **Success**  
[www.aokledlight.com](http://www.aokledlight.com)

# Features of **HBA** Series

• HBA series is designed for Indoor and Industrial lighting, a superior high output, high efficiency LED high bay light, featuring a unique optical design that virtually eliminates glare with minimal impact on performance. It is available in a variety of distributions for lighting applications such as gyms, industrial, multi-purpose rooms in schools, churches, and retails, etc.

- Patented design
- System efficiency 160 lm/W ,210lm/W optional
- High efficiency driver, PF > 0.95
- Lumileds 2835 LED light source, CRI: 80
- ADC12 aluminum die casting housing , perfect heat dissipation
- Available with 60°/ 90°/120° beam angle
- 3000K / 4000K / 5000K / 5700K / 6500K CCT
- Long life span , L90B10 > 52,000 Hours



UPTO <b>210</b> lm/W	<b>100-277VAC</b> <small>CS</small> <b>277-480VAC</b> 50 / 60HZ	WORKING TEMPERATURE ENVIRONMENT <b>-40°C~45°C</b> (-40°F~113°F)	3000K 4000K 5000K 5700K 6500K	 SMART SENSOR OPTIONAL	<b>DALI</b> CONTROL
L90B10 >30,000HRS @ 25°C	<b>THD</b> < 20%	<b>IP65</b> <b>IK09</b>	<b>CRI</b> Ra80	 <b>DIM</b>	

Note: Normal Voltage=100-277VAC, High Voltage=277-480VAC, please evaluate before choosing. For the power supply in the United States and Canada, in case the input voltage fluctuation  $\geq 240V$  the High Voltage solution is highly recommended for performance stability. Improper selection will cause damage to the driver or the light.



WARRANTY

5 Year Limited Warranty,  
 10 Year Preferred Warranty.  
 Please consult with our sales for detailed agreement.

# Advantages of HBA LED Highbay Light



For other certificates please request



## Luminous Efficacy Optional

Choose from schemes with 160lm/W or 210lm/W.



## Long Lifespan

Long life span , L90B10 > 30,000 Hours.



## Smart Control Optional

0-10V, PWM, Resistor, AUX: 12V/0.15A. Occupancy and motion sensor, DALI control optional.



## Professional Distribution Options

High-performance light-steering optics with 60D/90D/120D are optional.



12VDC Highbay  
Microwave Sensor  
With Zhaga  
18 Receptacle  
HD06VCRH 7B



On/Off Control



Detection Area



Daylight Sensor



Limited Warranty



Stand-by period



Stand-by dimming level



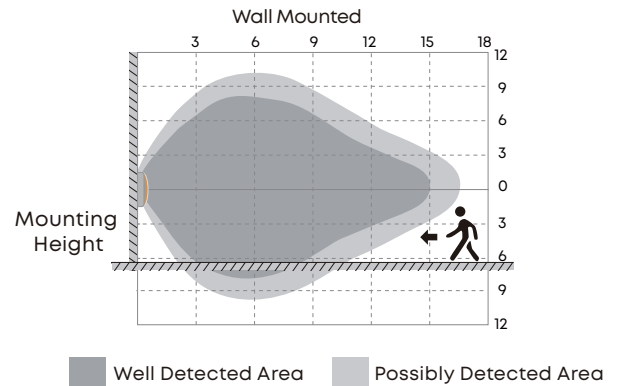
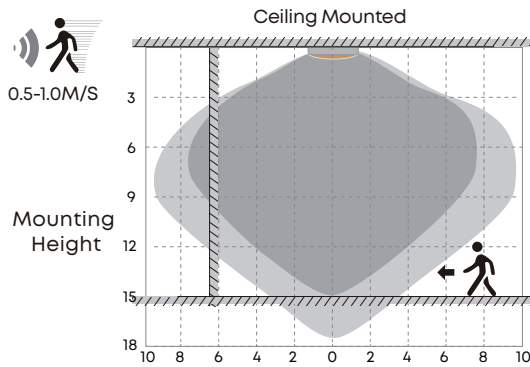
Hold Time



10-15M Highbay



Remote Control



## Technical Data

Operating Voltage 10.5-15V DC Current Required<30mA	Detection Area 25%/50%/75%/100%	Mounting Height Max.15m/49.21ft Ceiling Mounted
Output DIM 1-10V	Holdtime 5s/30s/1min/3min/5min/10min/20min/30min	Detection Range Max.ø16m/52.49ft Ceiling Mounted
Standby Consumption <30mA Power Consumption	Daylight Threshold 2Lux/10Lux/30Lux/50Lux/80Lux/120Lux/Disable	Motion Detection 0.5-1m/s
Microwave Frequency 5.8GHz±75MHz	Stand-by Period 0s/10s/30s/1min/5min/10min/30min/60min+∞	Temperature -20°C~+60°C
Microwave Power <0.3mW	Stand-by Dimming Level 10%/20%/30%/50%	IP Rating IP65

## Daylight Priority Function

Daylight priority function works when daylight threshold preset as 20Lux/80Lux/50Lux/30Lux, standby period as +∞ and standby dimming level as 10%/20%/30%

wally@aokledlight.com  
+1 626-986-4050 (US)  
+86 755 2357 9148 (CN)

©2024 AOK LED LIGHT CO., LTD. All Right Reserved.



# Application Reference





# Parameter Table

<b>Electrical Data</b>			
<b>Model</b>	<b>AOK-HBA100</b>	<b>AOK-HBA150</b>	<b>AOK-HBA200</b>
Power(W)	100W	150W	200W
Input Voltage	Normal Voltage=100-277VAC, High Voltage=277-480VAC, please read *Note-1 before choosing.		
THD	<20%		
PF	>0.95		
Control Option	0-10V, PWM, Resistor, AUX: 12V/0.15A. Occupancy and motion sensor, DALI control optional.		
Operating Temperature	-40°C to 45°C (-40 °F to 113 °F)		
<b>Photometric Data</b>			
Efficacy(lm/W, Std. Dev ±5%)	160lm/W (Please refer to IES for exact data)		
Luminous Flux (lm, Std. Dev ±5%)	16000lm	24000lm	32000lm
Efficacy(lm/W, Std. Dev ±5%)	200lm/W~210lm/W (Please refer to IES for exact data)		
Luminous Flux (lm, Std. Dev ±5%)	20000lm	30000lm	40000lm
ULOR	= 0%, @ Luminaire inclination 0°		
CCT	3000K, 4000K, 5000K, 5700K, 6500K		
CRI	Ra70/Ra80		
Beam Angle	60D/90D/120D		
LED Manufacturer	<b>Lumileds</b>		
LED Model	2835		
Lens	Polycarbonate (Better impact resistance than glass)		
<b>Mechanical Data</b>			
IP/IK	IP65/IK09, according to standard EN 60529 and EN 62262		
Housing/Materials	Heavy-duty die-cast aluminum (ADC12)		
Surface Treatment	Anti-UV thermosetting polyester (for extremely corrosive environments).		
Painting	Black, Custom on request		
Cable	Pre-wired with a 30 cm cable (Other lengths on request)		
Mounting	Hook		
<b>Others</b>			
Lifespan	L90B10 > 30000hrs, @Ta 25°C		
Warranty	5 years (Warranty extension up to 10 years on request)		
Certification	UL/cUL/FCC/ROHS/CE/SAA,/For other certificates please request		
Product Size	Ø278*189.1mm / Ø10.9*7.4 inches	Ø320*189.1mm / Ø12.6*7.4 inches	Ø360*196.2mm / Ø10.9*7.7 inches
Net Weight	1.72kg / 3.79 lbs	2.14kg / 4.72 lbs	2.64kg / 5.82 lbs
Carton Size	330*330*160mm / 12.99*12.99*6.3 inches	370*370*160mm / 14.57*14.57*6.3 inches	410*410*160mm / 16.14*16.14*6.3 inches
Gross Weight	2.18kg / 4.81 lbs	2.72kg / 5.60 lbs	3.36kg / 7.41 lbs
QTY./CTN.	1 PCS/CTN	1 PCS/CTN	1 PCS/CTN

## Important note!

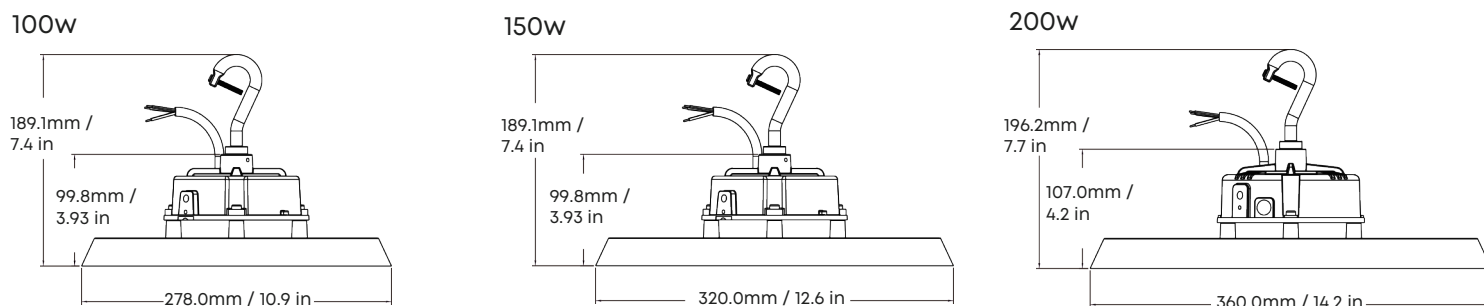
**The provided information is solely for reference; the official measurement report holds higher authority.**

\* Note-1: For the power supply in the United States and Canada, in case the input voltage fluctuation  $\geq 240V$  the High Voltage solution is highly recommended for performance stability. Improper selection will cause damage to the driver or the light.

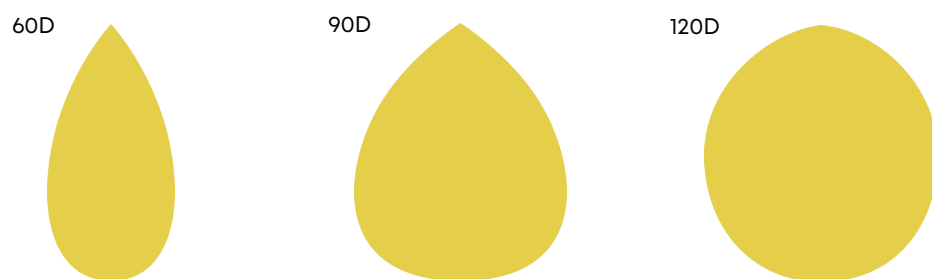
# Ordering Information

MODEL	VOLTAGE	LED CHIPS	TYPE OF SENSOR	CCT&CRI	DISTRIBUTION	MOUNT	OPTION	HOUSING
100WHBA	NV=100-277V	L2=LUMILED 2835	00=Without Sensor	3070=3000K 70CRI	60D=60deg	Hook Mount	DALI control	BK=Black
150WHBA	HV=277-480V		DV=Dimmable	4070=4000K 70CRI	90D=90deg	Yoke Mount	Reflector	
200WHBA			OS=Occupancy Sensor	5070=5000K 70CRI	120D=120deg		AUX Plug	
			MS=Microwave Sensor	5770=5700K 70CRI				
				6570=6500K 70CRI				
				3080=3000K 80CRI				
				4080=4000K 80CRI				
				5080=5000K 80CRI				
				5780=5700K 80CRI				
				6580=6500K 80CRI				

## Dimension



## Photometrics



## Accessories





Quality, Honesty, Service and Innovation

# Innovative & Tailored Lighting Solutions for **Success**



5 Year Limited Warranty,  
10 Year Preferred Warranty.  
Please consult with our sales for detailed agreement.

wally@aokledlight.com

www.aokledlight.com

+1 626-986-4050 (US)

+86 755 2357 9148 (CN)

Manufacturing:

Shenzhen: Building 1 & 4, St. George's Science and Technology Industrial Park, Shajing Street,  
Shenzhen, China, 518124.

Huizhou: 4th floor, Building 2, Yinghui Electronic Science and Tech Park, No. 6 Dongsheng North Rd,  
Chenjiang Street, Zhongkai High-tech Zone, Huizhou, China. 516006.

Fuzhou HQ: Room 301, Yujing Business Center Zone 1, No. 12 Baihuazhou road, Cangshan district,  
Fuzhou, China, 350007

NorthAmerica HQ: 17531 Railroad St, Suite F, City of industry CA91748 USA

Copyright ©2024 AOK LED LIGHT CO., LTD. All Right Reserved.