

200+ Patent Certificates
\$1,000,000+ Annual Energy Saving
20,000+ Projects Successfully Installed



HBE Series LED Highbay Light

Power: 100W / 150W / 200W




Innovative & Tailored
Lighting Solutions for **Success**
www.aokledlight.com

HBE Series

For High Efficacy

Beaded Lens { **UGR=19 (60 °, 150W)**
UGR=25 (90 °, 150W)

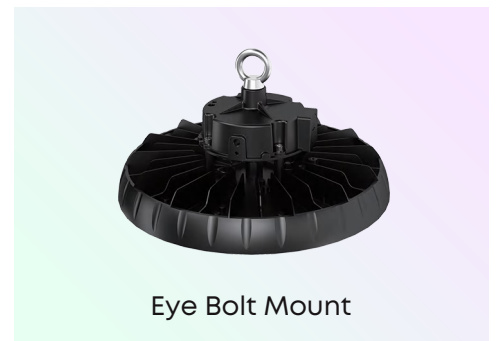
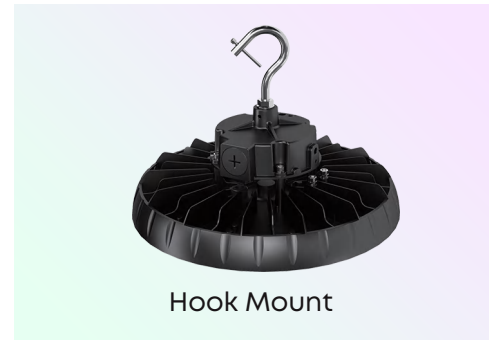
Power 
 adjustable

CCT 
 adjustable

- 3000K
- 4000K
- 5000K



Ring-Shaped Lens



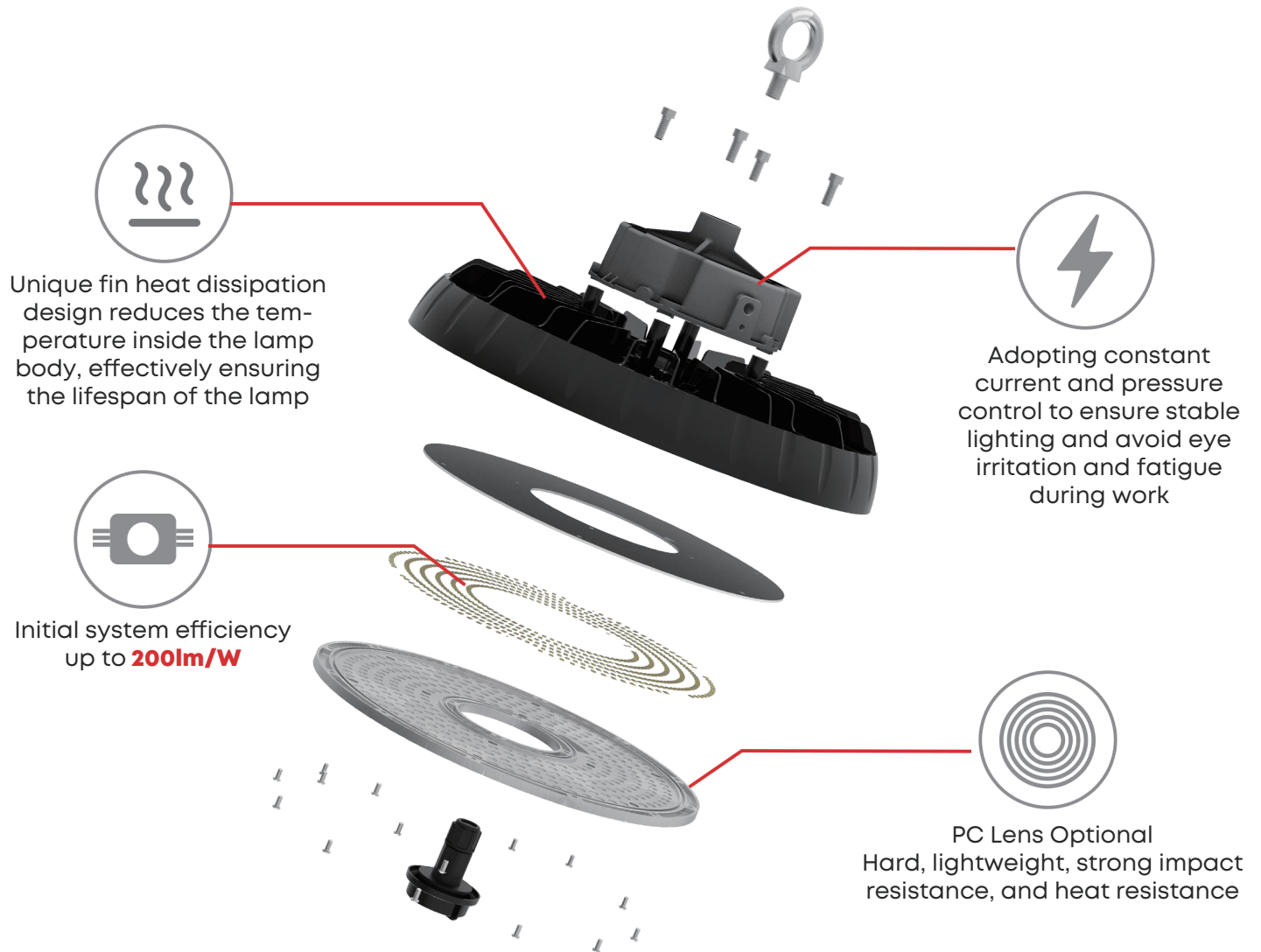
For other certificates please request



WARRANTY

5 Year Limited Warranty,
 10 Year Preferred Warranty.
 Please consult with our sales for detailed agreement.

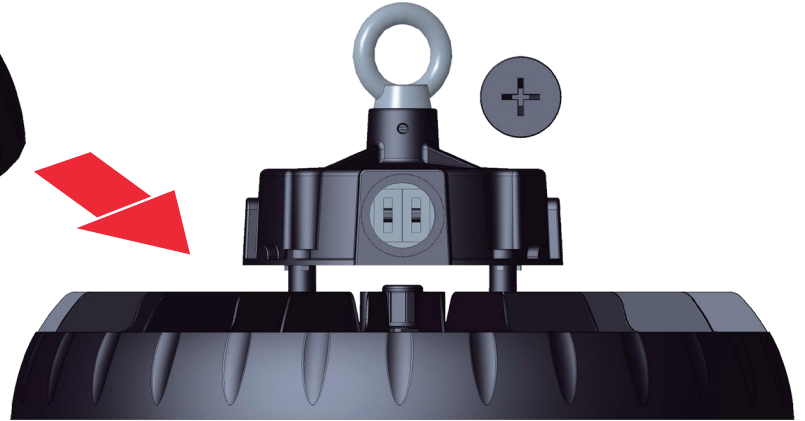
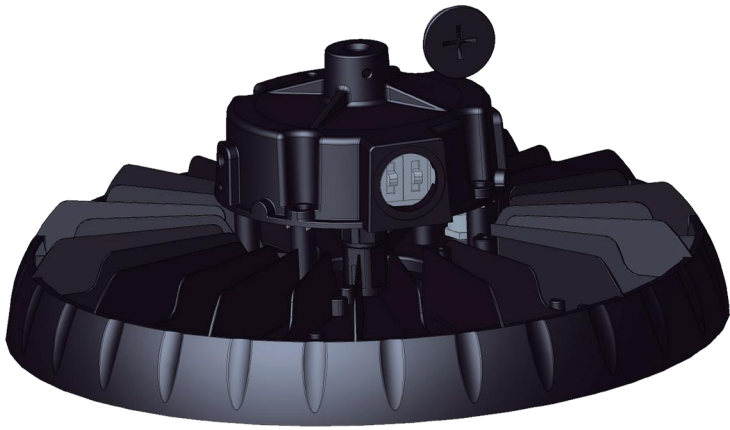
• The HBE series is specifically crafted to cater to indoor and industrial lighting needs. This LED high bay light boasts a sleek design that seamlessly blends aesthetics with efficient heat dissipation. It comes in various distributions, rendering it suitable for a range of lighting applications including gyms, industrial settings, multipurpose rooms in educational institutions, places of worship, retail spaces, and more.



UP TO 200 lm/W	WORKING TEMPERATURE ENVIRONMENT -40°C~50°C (-40°F~122°F)	3000K 4000K 5000K 5700K 6500K	CRI Ra70/80/90	L90B10 >100,000HRS @ 25°C	100-277VAC OR 200-480VAC 50 / 60HZ	IP 66 IK 10	DIM	
-----------------------------	---	---	--------------------------	---------------------------------	---	------------------------------	------------	--

Note: Normal Voltage=100-277VAC, High Voltage=200-480VAC, please evaluate before choosing. For the power supply in the United States and Canada, in case the input voltage fluctuation $\geq 240V$ the High Voltage solution is highly recommended for performance stability. Improper selection will cause damage to the driver or the light.

Power and CCT **Adjustable**



Rotate the cover to adjust the power and color temperature.

DIP Switch:

BHD: DIP switch for adjusting power and CCT

A	200(W)	CW
B	150(W)	NW
C	100(W)	WW

200W(A) - 150W(B) - 100W(C)

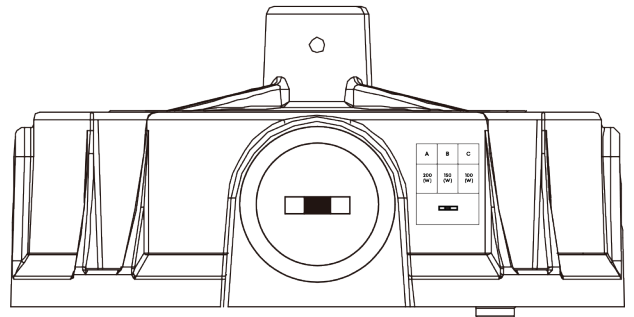
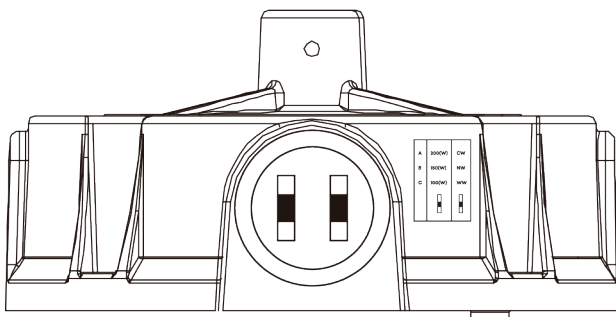
CW: White light NW: Neutral white WW: Warm white

BHD: DIP switch for adjusting power

A	B	C
200 (W)	150 (W)	100 (W)

200W(A) - 150W(B) - 100W(C)

CW NW WW has no special meaning



Note: Adjustments to power and color temperature should be made after the power has been disconnected.

Application Reference



Parameter Table

Electrical Specifications		
Model	AOK-HBE-100W/AOK-HBE-150W/AOK-HBE-200W	
Power(w)	Power adjustable:100W/150W/200W	
Input Voltage	Normal Voltage=100-277VAC, High Voltage=200-480VAC, please read *Note-1 before choosing	
PF	≥0.97	
Driver Efficiency	≥95%	
Maximum Current	AC2.2A (max)	
Control Option	Driver includes wiring for 0-10V dimming systems. Dim as low as 10%.	
Operating Temperature	-40°C to 50°C (-40 °F to 122 °F)	
Driver Brand	MOSO/SOSEN	
Photometric Specifications		
Lens Type	Ring-shaped lens (Power and CCT adjustable)	Beaded lens (Power adjustable)
Efficacy (lm/W,Std. Dev ±5%) @CRI 70Ra, 4000K Standard (LUMILEDS 2835)	185 lm/W	170 lm/W
Luminous Flux(lm,Std. Dev ±5%) @CRI 70Ra, 4000K Standard (LUMILEDS 2835)	18500 lm(100W) / 27750 lm(150W) 37000 lm(200W)	17000 lm(100W) / 25500 lm(150W) 34000 lm(200W)
Efficacy (lm/W,Std. Dev ±5%) @CRI 70Ra, 4000K Single CCT (AOK 2835)	200 lm/W	-
Luminous Flux(lm,Std. Dev ±5%) @CRI 70Ra, 4000K Single CCT (AOK 2835)	20000 lm(100W) / 30000 lm(150W) 40000 lm(200W)	-
Note: Luminous flux under Ra80, light efficiency will be reduced by 10%		
CCT	3000K~6500K	
CRI	Ra70 / Ra80 / Ra90	
LED Model	LUMILEDS 2835 / AOK 2835	
Lens	Polycarbonate	
Beam Angle	60D / 90D / 120D	
Mechanical Specifications		
IP/IK	IP66/IK10, according to standard EN 60529 and EN 62262	
Housing	Heavy-duty die-cast aluminum (EN AC-46100)	
Heat Radiator	Aluminum alloy	
Surface Treatment	Anti-UV thermosetting polyester (for extremely corrosive environments).	
Painting	Black, Customized color	
Cable	Pre-wired with a 30 cm cable	
Mounting	Yoke mount/Hook/Eye Bolt	
Package Info		
Product Size	313*313*125mm / 12.32*12.32*4.92 inches	
Net Weight	2.1KG	
Carton Size	328*328*145mm / 12.91*12.91*5.7 inches	
Gross Weight	2.45KG	
Others		
Lifespan	L90B10 - 100 000 h, @Tq 25°C	
Warranty	5 years limited warranty	
Certification	UL/cUL/ROHS/CE/CB/TUV,For other certificates please request	

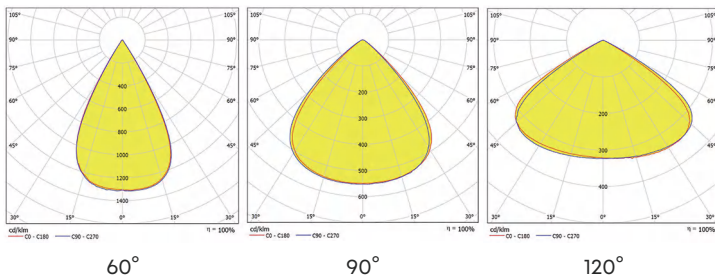
* Note-1: For the power supply in the United States and Canada, in case the input voltage fluctuation ≥240V the High Voltage solution is highly recommended for performance stability. Improper selection will cause damage to the driver or the light.

Ordering Information

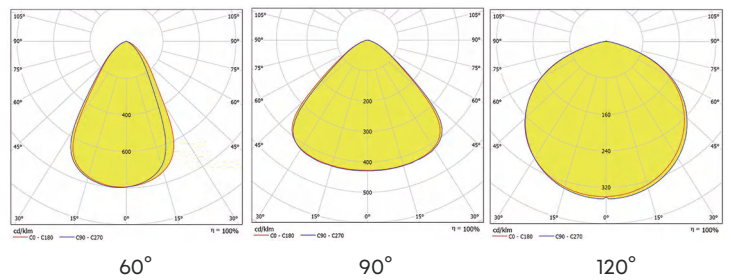
AOK							
MODEL	VOLTAGE	LED CHIPS	TYPE OF SENSOR	CCT&CRI	DISTRIBUTION	MOUNT	HOUSING
100WHBE	NV=100-277V	A2= AOK 2835	00=Without Sensor	3070=3000K 70CRI	60D=60deg	A=Hook mount	BK=Black
150WHBE	HV=200-480V	L2= LUMILEDS 2835	PIR=PIR Sensor	4070=4000K 70CRI	90D=90deg	B=Eye Bolt mount	Customized color
200WHBE			MS=Motion Sensor	5070=5000K 70CRI	120D=120deg	C=Yoke mount	
				5770=5700K 70CRI		D=Yoke mount(F)	
				6570=6500K 70CRI		*F=Flange	
				3080=3000K 80CRI			
				4080=4000K 80CRI			
				5080=5000K 80CRI			
				5780=5700K 80CRI			
				6580=6500K 80CRI			

Photometrics

Beaded lens

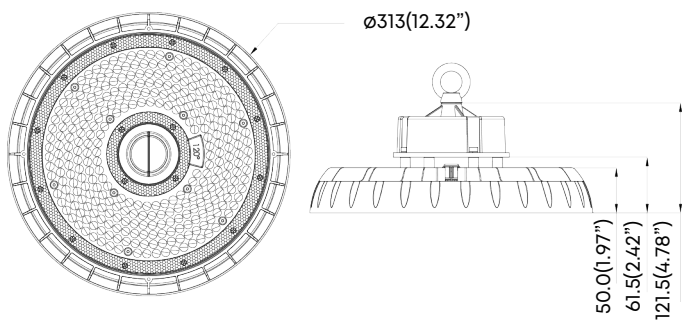


Ring-shaped lens

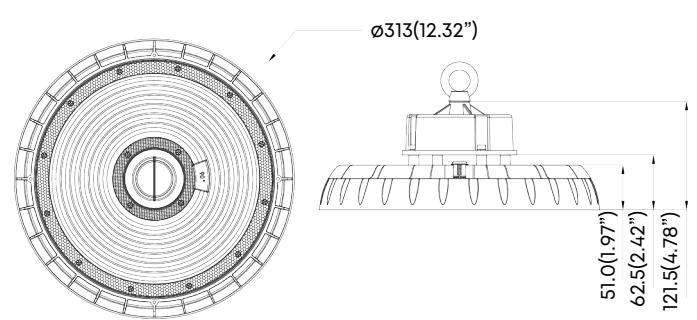


Dimensions

Beaded lens



Ring-shaped lens





Quality, Honesty, Service and Innovation

Innovative & Tailored Lighting Solutions for **Success**



5 Year Limited Warranty,
10 Year Preferred Warranty.
Please consult with our sales for detailed agreement.

wally@aokledlight.com
www.aokledlight.com
+1 626-986-4050 (US)
+86 755 2357 9148 (CN)

Manufacturing:

Shenzhen:

Building 1 & 4, St. George's Science and Technology Industrial Park, Shajing Street, Shenzhen, China, 518124.

Huizhou:

Building 2, Yinghui Electronic Science and Tech Park, No. 6 Dongsheng North Rd, Chenjiang Street, Zhongkai High-tech Zone, Huizhou, China. 516006.

Philippines:

128 North Science Avenue SEZ Laguna Technopark, Binan City, Laguna, Philippines.

Fuzhou Office:

Room 301, Yujing Business Center Zone 1, No. 12 Baihuazhou road, Cangshan district, Fuzhou, China, 350007

Copyright ©2025 AOK Industrial Company Limited. All Right Reserved.