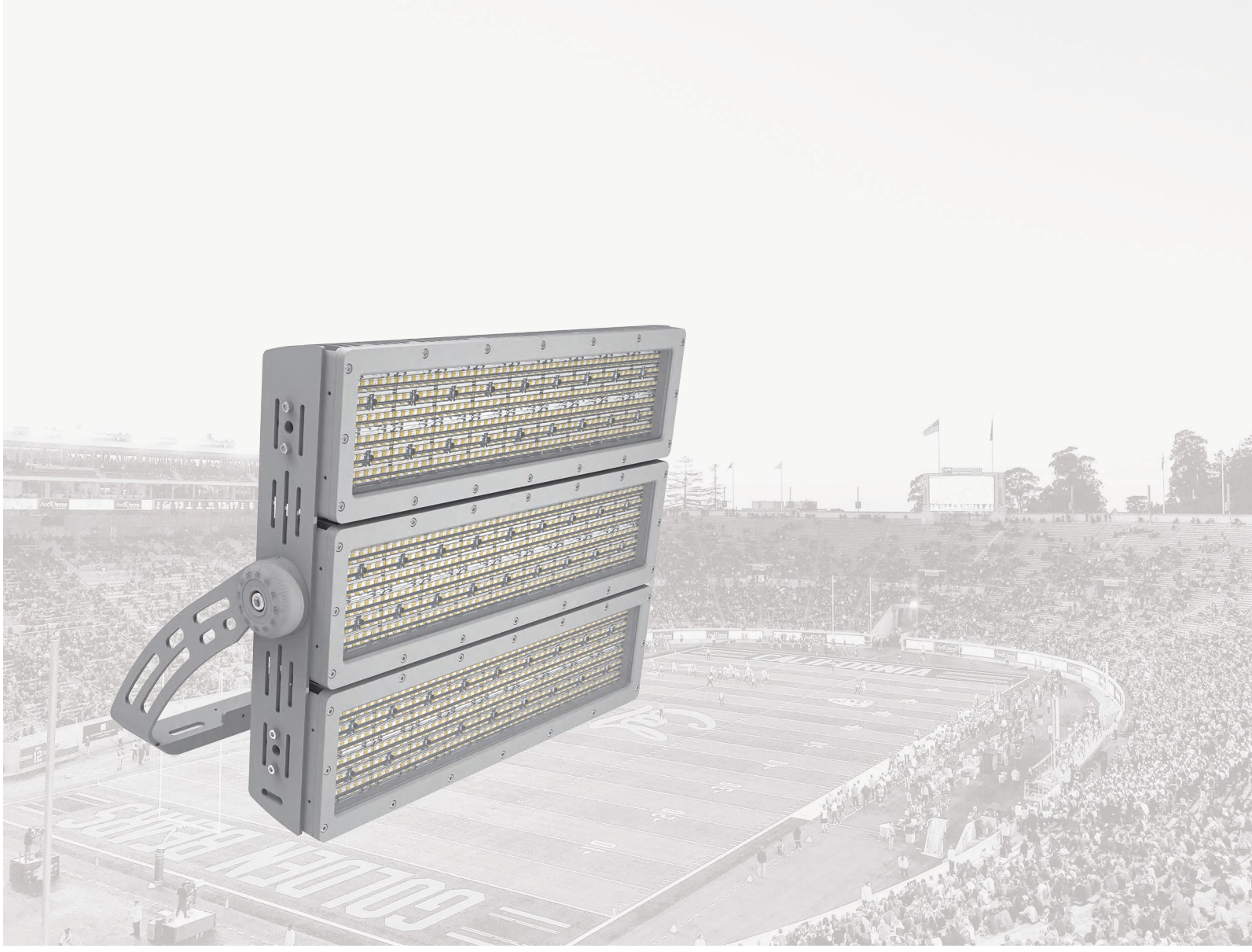


200+ Patent Certificates
\$1,000,000+ Annual Energy Saving
20,000+ Projects Successfully Installed



ISF Series LED Stadium Light

Power: 400W / 600W / 800W / 1200W / 1500W / 1800W



Innovative & Tailored
Lighting Solutions for **Success**
www.aokledlight.com

Features of **ISF** Series



For others & details please request



Laser Aiming
As Optional



Safety Rope
As Standard

PATENTED PRODUCT	UPTO 150 lm/W	NV:100-277VAC HV:277-480VAC HV:220-400VAC 50 / 60HZ
THD < 20%	L90B10 >100,000HRS @ 25 C	WICKING TEMPERATURE ENVIRONMENT -40°C~50°C (-40°F~122°F)
IP66 IK08	3G VIBRATION TESTING PASSED	CRI Ra70/80/90
DIM		

Note: Normal Voltage=100-277VAC, High Voltage=277-480VAC, please evaluate before choosing. For the power supply in the United States and Canada, in case the input voltage fluctuation $\geq 240V$ the High Voltage solution is highly recommended for performance stability. Improper selection will cause damage to the driver or the light.



WARRANTY

5 Year Limited Warranty,
10 Year Preferred Warranty.
Please consult with our sales for detailed agreement.

The ISF Series Stadium Floodlight represents a new generation of outstanding lighting solutions, boasting easy maintenance, easy installation, versatile light distribution options, and professional-grade features. Its exceptional optical design ensures outstanding performance, making it the ideal choice for illuminating outdoor large venues and events, saving maintenance budget and operating costs.

- Up to 150lm/W, power range: 400W-1800W.
- Modular design, a maximum of 3 modules available.
- UV stabilized polyester powder paint finish for durability and corrosion resistance.
- Die-casting aluminum, excellent heat dissipation design, more conducive to prolong the lifespan.
- Excellent lighting system design, better performance.
- Eco-friendly, the lighting around the site is not plagued by light pollution.
- The illumination of the site is significantly improved, with better uniformity, and the overflow light is reduced to a minimum.

The **benefits** of opting ISF series

(Optional)
APPLICABLE TO **4K & HD TV LIVESTREAM**

TLCI > 95

GR < 40

DMX or DALI 2
Control Options

Please consult for details (in certain configurations), and requirements.

CASAMBI

optional



UP TO 1800W
MODULAR

Modular construction, concealed wiring layout, hassle-free upkeep. Maximum power to 1800W.



LIGHTWEIGHT
MAX. **< 30KG**

The 1800W fixture's overall weight is <30KG (excluding the driver box), enhancing safety.



FOR TV
BROADCAST

ISF ensures superb TV footage with high TLCI LED sources (>95) for flicker-free super slow-motion.



CONVENIENT
INSTALLATION

Mounting options include Type-A, Type-B, and Type-C, providing easy installation and versatile adaptability.

wally@aokledlight.com
+1 626-986-4050 (US)
+86 755 2357 9148 (CN)

@2024 AOK LED LIGHT CO., LTD. All Right Reserved.



Perfect Design **for Gaming**

Multiple mounting options turn installation & maintenance job into a easy way. Installation options include integrated and split setups, with driver box maintenance requiring no tools. You can easily adjust the position, either on the bracket or using a remote power box, ensuring straightforward and convenient maintenance.



HEAT SINK

- Die-casting aluminum ADC12, high thermal conductivity
- Unique convective air cooling design
- Machined smooth surface for maximum heat transfer of the LEDs
- Maintains low LED junction temperature for high wattage operation

WATERPROOF RING

- High-temperature resistance materials
- Aging resistance, excellent sealing

TEMPERED GLASS

- Impact-resistant IK08
- High transparency

SURFACE COVER

- Perfectly sealed to keep optics away from harmful environmental elements
- High-strength material ADC12

U-BRACKET

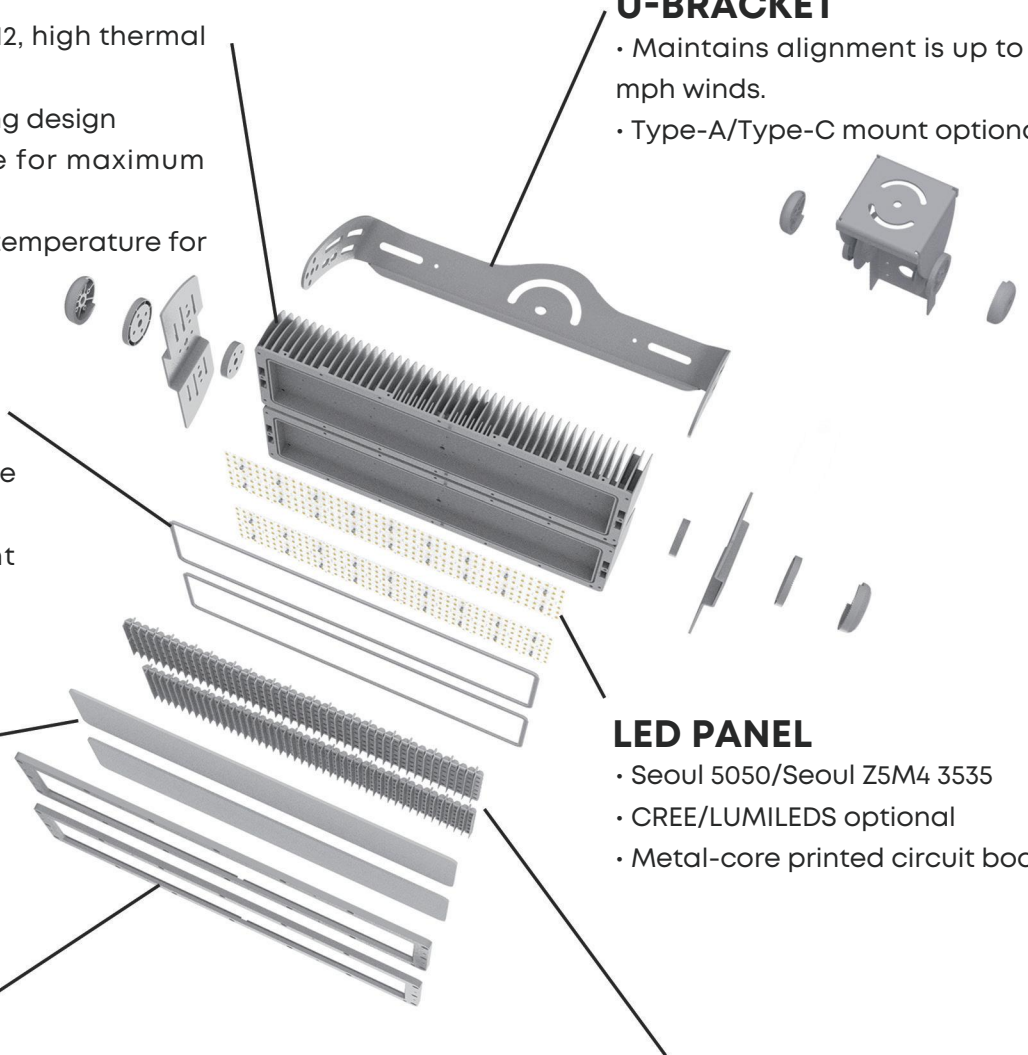
- Maintains alignment is up to 150 mph winds.
- Type-A/Type-C mount optional.

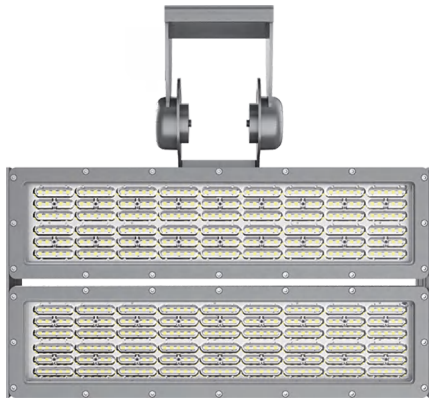
LED PANEL

- Seoul 5050/Seoul Z5M4 3535
- CREE/LUMILEDS optional
- Metal-core printed circuit board

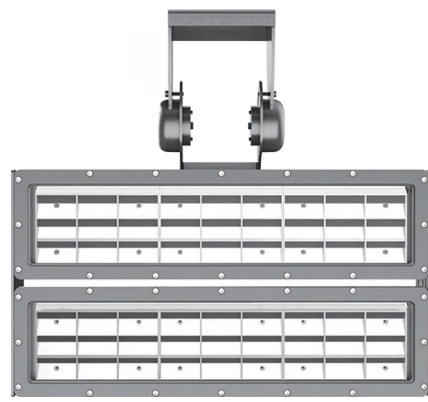
LENS

- High-temperature resistance PC materials
- High transparency
- Multiple beam angles

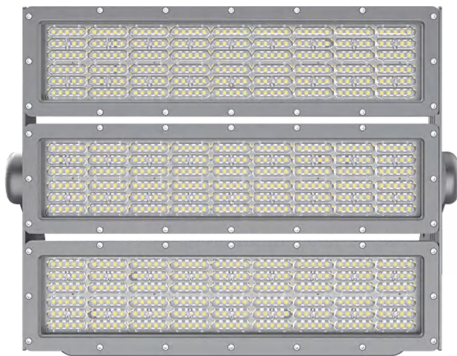




Type-A (Optical Lens)



Type-A (With Reflector)



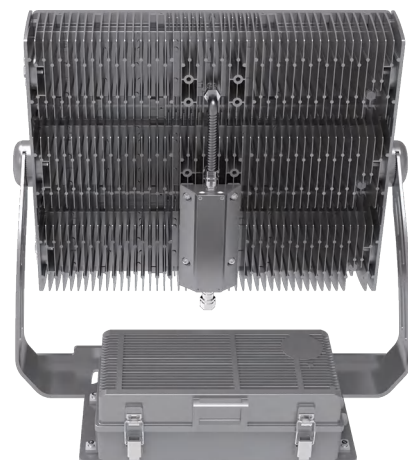
Type-B (Optical Lens)



Type-B (With Reflector)



**Type-B Power Supply
Split Installation**

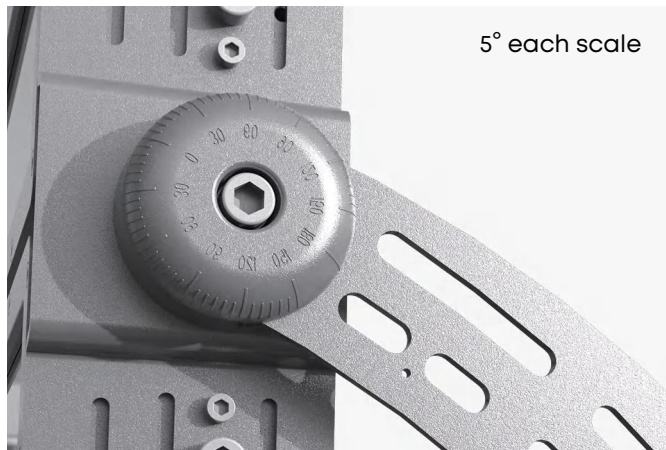
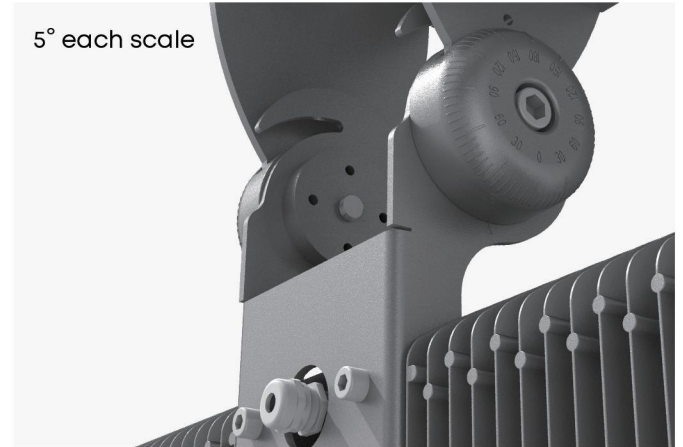
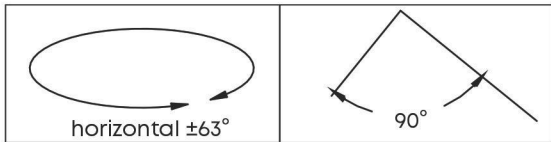


**Type-Bx Driverbox
Integrated with Bracket**

Flexible & Convenient Installation

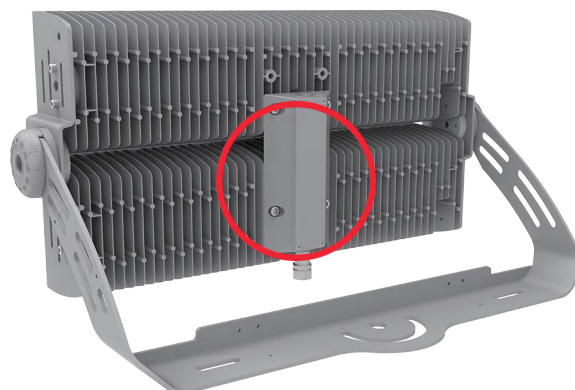
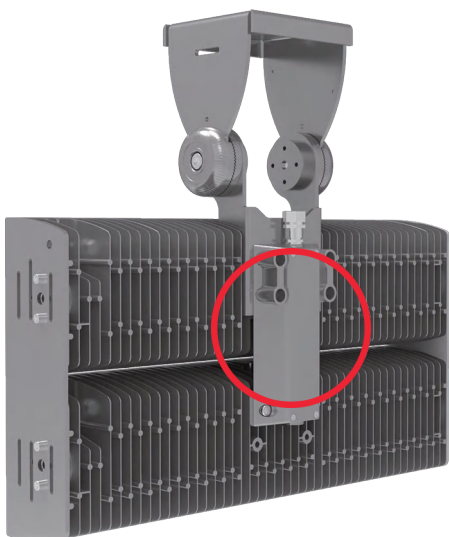
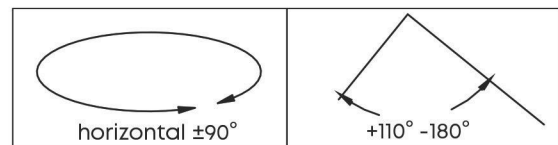
Type-A Top-fixed I

The top-fixed bracket for ISF is perfect for limited spaces like under grandstand roof covers. It simplifies aiming and offers multiple adjustments, including a $\pm 63^\circ$ tilt in the horizontal plane and a 90° rotation on the vertical axis.



Type-B Yoke Mount

The ISF Type-B Bracket, crafted from durable 304 stainless steel (optional), boasts excellent corrosion resistance. It offers adjustable horizontal tilting options of $\pm 90^\circ$ and vertical rotation from $+110^\circ$ to -180° , making it versatile for various mounting orientations.



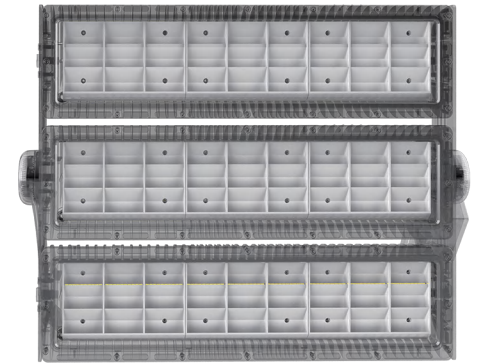
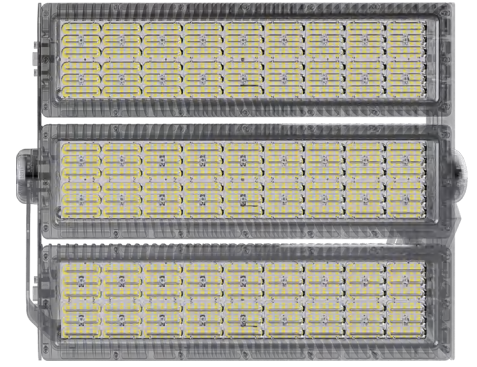
Type-C Top-fixed II

Concealed Rear Wiring Design

Photometric Design

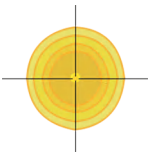


With a concealed reflector design, the fixture remains invisible at night except for its light, reducing glare.

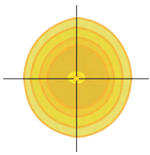


Distribution Design - Without Visor

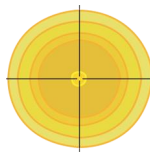
Symmetric
Optic-15D



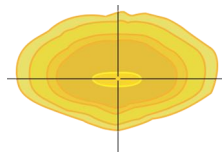
Symmetric
Optic-20*30D



Symmetric
Optic-30D

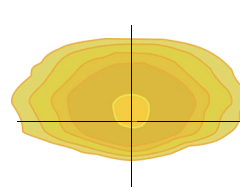


Asymmetric
Optic-35*85D

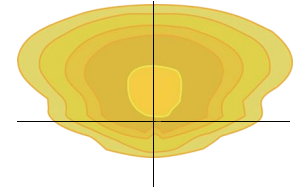


Distribution Design - With Reflector

Asymmetric
Optic-PG30D

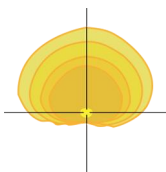


Asymmetric
Optic-PG60D

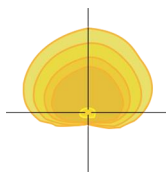


Distribution Design - With Visor

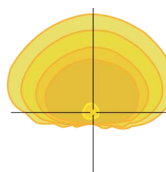
Asymmetric
Optic-15D



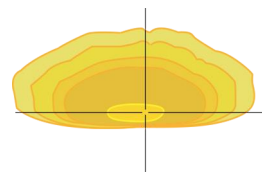
Asymmetric
Optic-20*30D



Asymmetric
Optic-30D



Asymmetric
Optic-35*85D



The ISF series features a customizable high-performance optical system designed for professional sports fields. It includes floodlighting optics for precise pitch illumination, offering flexibility and excellent light distribution. Specialized LEDs ensure high TLCI for television broadcasts.

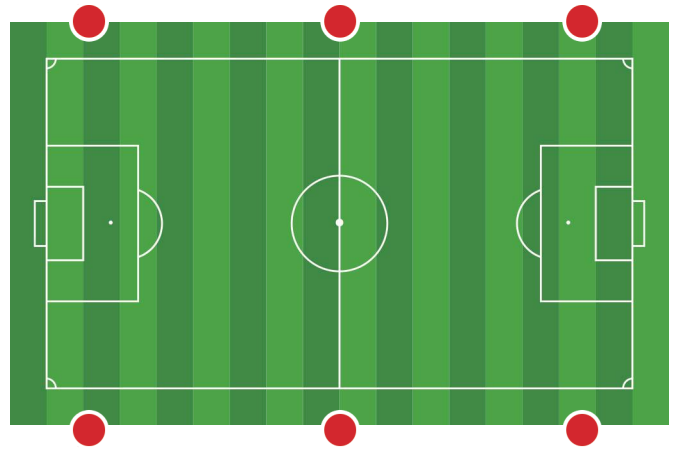
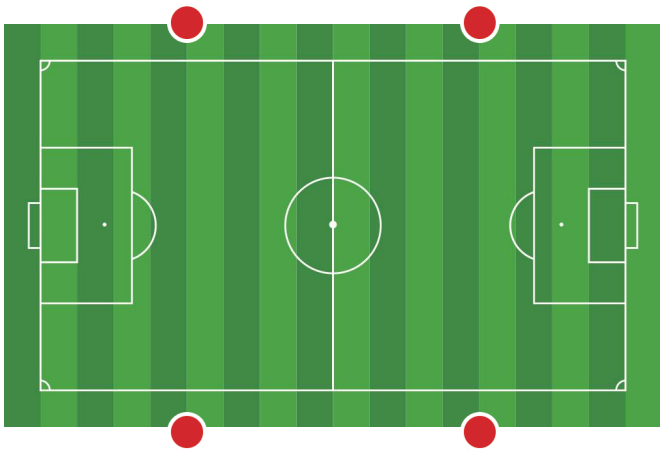
Referential **Simulation Result**

Putting the floodlight ISF 1800W to the test

Sport field: 105x68m

4-mast system

4 masts	ISF 1800W	
	Lighting class II	Lighting class III
Number of luminaires per mast	3PCS	1PCS
Horizontal illuminance Em	204 lx	78 lx
Uniformity U0 g1	0.61	0.51
Total number of luminaires per field	12PCS	4PCS



6-mast system

4 corner masts and 2 center masts	ISF 1800W	
	Lighting class II	Lighting class III
Number of luminaires per corner mast	2PCS	1PCS
Number of luminaires per center mast	2PCS	1PCS
Horizontal illuminance Em	206 lx	106 lx
Uniformity U0 g1	0.70	0.70
Total number of luminaires per field	12PCS	6PCS

Please be aware that the data provided above is for reference only, and it is based on the standards and requirements specified by a customer. It does not serve as a final report. We recommend communicating with our technical team to address your specific situation and needs.

Application Reference

- Stadium
- Sports field
- Port
- Railway station



Professional Stadium



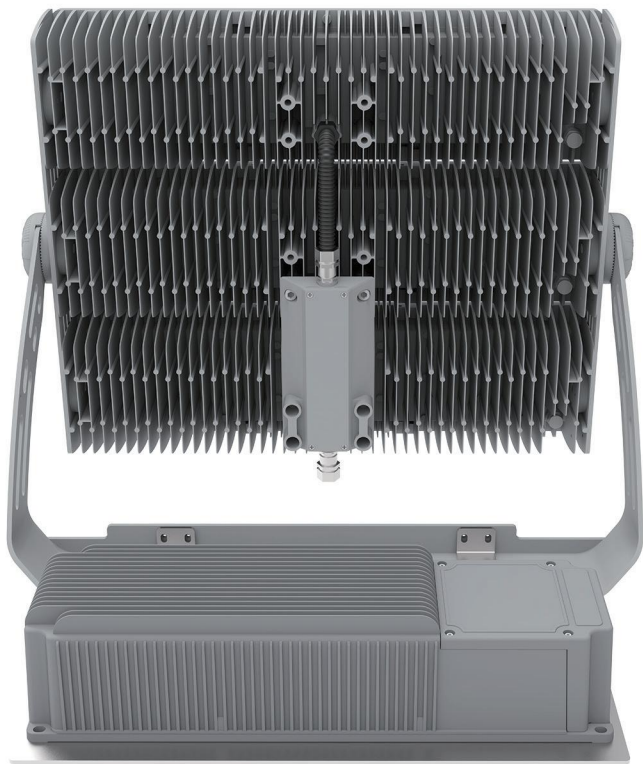
University Gymnasium



National Parade Square



A New Power of **Professional Light**



**NO FLICKER ON
TV BROADCAST 33fps**



The 1800W D4i/DMX-RDM power supply breaks free from traditional dimming limitations. It's perfect for various uses, lets you easily switch between two dimming modes, and simplifies SKU management.

It can handle strobe functions at speeds up to 33 fps, alternating between full brightness and complete darkness, no afterglow after shut-down.



A New Form of **Green Light**

Artificial light can be truly annoying. It can throw both us and nature off balance - The ISF floodlighting offers particularly animals and insects friendly light with **2700K~3000K** options to reduce impact on the environment and the entire downstream food chain.



Environmental Protection Matters



The process of manufacturing and disposing of the product must be taken into consideration. That's why we optimize energy usage and employ a clever modular concept in manufacturing our FSC product, as well as using plastic-free packaging. This is how we define eco-friendly products.

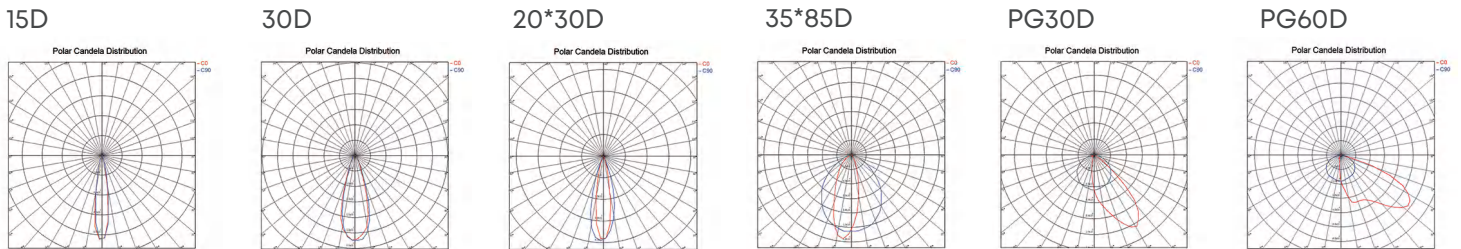


Parameter Table

Electrical Data							
Model	AOK-400WiSF	AOK-600WiSF	AOK-800WiSF	AOK-1200WiSF	AOK-1500WiSF	AOK-1800WiSF	
Power(W)	400W	600W	800W	1200W	1500W	1800W	
Modules	1	1	2	2	3	3	
Input Voltage	100-277V/277-480V, 50/60Hz				220-400V, 50/60Hz		
THD	<20%						
PF	>0.90						
Control Option	0-10V/PWM Timer diming (Standard), DALI, DMX512 (Optional)				DALI, DMX512 (Standard)		
Ambient Temperature	-40°C to 50°C	-40°C to 45°C	-40°C to 50°C	-40°C to 45°C	-40°C to 50°C	-40°C to 45°C	
Driver Brand	Based on the actual project demand						
Surge Protection	20kV available						
Photometric Data							
Efficacy (lm/W, Std. Dev. ±5%)@CCT=4000K, CRI>70Ra	15D	140lm/W	140lm/W	140lm/W	140lm/W	140lm/W	140lm/W
	35°85D	150lm/W	150lm/W	150lm/W	150lm/W	150lm/W	150lm/W
	20°30D	140lm/W	140lm/W	140lm/W	140lm/W	140lm/W	140lm/W
	30D	150lm/W	150lm/W	150lm/W	150lm/W	150lm/W	150lm/W
	PG30D	140lm/W	140lm/W	140lm/W	140lm/W	140lm/W	140lm/W
	PG60D	140lm/W	140lm/W	140lm/W	140lm/W	140lm/W	140lm/W
Luminous Flux (lm, Std. Dev. ±5%)@CCT=4000K, CRI>70Ra	15D	56000lm	84000lm	112000lm	168000lm	210000lm	252000lm
	35°85D	60000lm	90000lm	120000lm	180000lm	225000lm	270000lm
	20°30D	56000lm	84000lm	112000lm	168000lm	210000lm	252000lm
	30D	60000lm	90000lm	120000lm	180000lm	225000lm	270000lm
	PG30D	56000lm	84000lm	112000lm	168000lm	210000lm	252000lm
	PG60D	56000lm	84000lm	112000lm	168000lm	210000lm	252000lm
Efficacy (lm/W, Std. Dev. ±5%)@CCT=4000K, CRI>70Ra, with visor	15D	125lm/W	125lm/W	125lm/W	125lm/W	125lm/W	125lm/W
	35°85D	135lm/W	135lm/W	135lm/W	135lm/W	135lm/W	135lm/W
	20°30D	125lm/W	125lm/W	125lm/W	125lm/W	125lm/W	125lm/W
	30D	135lm/W	135lm/W	135lm/W	135lm/W	135lm/W	135lm/W
	PG30D	/	/	/	/	/	/
	PG60D	/	/	/	/	/	/
Luminous Flux (lm, Std. Dev. ±5%)@CCT=4000K, CRI>70Ra, with visor	15D	50000lm	75000lm	100000lm	150000lm	187500lm	225000lm
	35°85D	54000lm	81000lm	108000lm	162000lm	202500lm	243000lm
	20°30D	50000lm	75000lm	100000lm	150000lm	187500lm	225000lm
	30D	54000lm	81000lm	108000lm	162000lm	202500lm	243000lm
	PG30D	/	/	/	/	/	/
	PG60D	/	/	/	/	/	/
ULOR	= 0%, @ Luminaire inclination 0°						
CCT	2700K, 3000K, 4000K, 5000K, 5700K						
CRI	Ra70, Ra80, Ra90						
Beam Angle	15D/20°30D/30D/35°85D/PG30D/PG60D						
Mechanical Data							
IP/IK	IP66/IK08, according to standard EN 60529 and EN 62262						
Vibration Resistance	3G, conform to standard IEC 68-2-6.						
SCx (EPA)	Type-A	Top view: 0.11m² (1.20ft²) Front view: 0.06m² (0.63ft²)		Top view: 0.21m² (2.31ft²) Front view: 0.06m² (0.63ft²)		Top view: 0.32m² (3.39ft²) Front view: 0.06m² (0.63ft²)	
	Type-C	Top view: 0.07m² (0.75ft²) Front view: 0.1m² (1.08ft²)		Top view: 0.07m² (0.75ft²) Front view: 0.2m² (2.19ft²)		to be updated	
	Type-B	Top view: 0.1m² (1.11ft²) Front view: 0.13m² (1.39ft²)		Top view: 0.11m² (1.20ft²) Front view: 0.23m² (2.45ft²)		Top view: 0.12m² (1.26ft²) Front view: 0.32m² (3.44ft²)	
	Type-Bx (Driver fixed)	Top view: 0.18m² (1.98ft²) Front view: 0.14m² (1.50ft²)		Top view: 0.2m² (2.14ft²) Front view: 0.23m² (2.45ft²)		Top view: 0.24m² (2.55ft²) Front view: 0.32m² (3.44ft²)	
	Housing/Materials	Heavy-duty die-cast aluminum (EN AC-46100)					
Surface Treatment	Anti-UV thermosetting polyester/80 micron epoxy primer + Anti-UV thermosetting polyester (for extremely corrosive environments).						
Painting	Black, Silver Grey, Customized Color						
Cable	Pre-wired with a 30 cm cable (Other lengths on request)						
Mounting	TYPE-A (Top-fixed I), TYPE-B (Yoke Mount), TYPE-Bx (Driver fixed), TYPE-C (Top-fixed II)						
LED							
LED Manufacturer	Seoul (CREE/LUMILEDS Optional)						
LED Model	Seoul 5050/Seoul Z5M4 3535						
Working Current of Single LED	15D(3535Z5M4)	755mA	765mA	755mA	742mA	780mA	775mA
	35°85D(5050)	375mA	383mA	375mA	370mA	385mA	385mA
	20°30D(3535Z5M4)	755mA	765mA	755mA	742mA	780mA	775mA
	30D(5050)	375mA	383mA	375mA	370mA	385mA	385mA
	PG30D(5050)	352mA	350mA	352mA	350mA	360mA	358mA
	PG60D(5050)	352mA	350mA	352mA	350mA	360mA	358mA
Lens	Polycarbonate + Tempered Glass (≈5 mm thick)						

Other Data						
Model	AOK-400WiSF	AOK-600WiSF	AOK-800WiSF	AOK-1200WiSF	AOK-1500WiSF	AOK-1800WiSF
Lifespan	L90B10 > 100000hrs, @Ta 25°C					
Warranty	5 years in standard, 10 years optional					
Certification	ROHS/CE/CB/ENEC For other certificates please request					
Product Size	Type-A	L599.2*W391.5*H155mm/23.6*15.4*6.1"		L607.2*W561.4*H155mm/23.9*22.1*6.1"		L607.2*W731.4*H155mm/23.9*28.8*6.1"
	Type-C	L599.2*W365.2*H165mm/23.6*14.4*6.5"		L607.2*W397.9*H335.0mm/23.9*15.7*13.2"		-
	Type-B	L704.3*W281.0*H242.5mm/27.7*11.1*9.5"		L704.7*W355.5*H368.7mm/27.7*13.2*14.5"		L674.9*W417.9*H523.8mm/26.6*16.5*20.6"
	Type-Bx (Driver fixed)	L666.7*W491.2*H242.5mm/26.2*19.3*9.5"		L704.7*W561.8*H368.7mm/27.7*22.1*14.5"		L674.9*W634.9*H523.8mm/26.6*25.0*20.6"
Net Weight	Type-A	13.2kg (29.1 lbs) / 16.3kg (35.9 lbs)-Driver included		22.3kg (49.2 lbs) / 26.4kg (58.2 lbs) -Driver included		30.9kg (68.1 lbs) / 36.9kg (81.4 lbs) -Driver included
	Type-C	11.1kg (24.5 lbs) / 14kg (30.9 lbs) -Driver included		20.7kg (45.6 lbs) / 24.6kg (54.2 lbs)-Driver included		-
	Type-B	12.8kg (28.2 lbs) / 15.9kg (35.1 lbs)-Driver included		23.5kg (51.8 lbs) / 26.9kg (59.3 lbs)-Driver included		31.1kg (68.6 lbs) / 37.2kg (82.0 lbs) -Driver included
	Type-Bx (Driver fixed)	21.1kg (46.5 lbs) -Driverbox included		32.5kg (71.7 lbs) -Driverbox included		41.4kg (91.3 lbs)
Gross Weight	Type-A	15.2kg (33.5 lbs) / 18.3kg (40.3 lbs) -Driver included		24.3kg (53.6 lbs) / 28.4kg (62.6 lbs) -Driver included		32.9kg (72.5 lbs) / 38.9kg (85.8 lbs) -Driver included
	Type-C	13.1kg (28.9 lbs) / 16kg (35.3 lbs)-Driver included		22.7kg (50.0 lbs) / 26.6kg (58.6 lbs) -Driver included		-
	Type-B	14.8kg (32.6 lbs) / 17.9kg (39.4 lbs) -Driver included		26kg (57.3 lbs) / 29.4kg (64.8 lbs)-Driver included		33.1kg (73.0 lbs) / 39.2kg (86.4 lbs) -Driver included
	Type-Bx (Driver fixed)	23.1kg (50.9 lbs) -Driverbox included		35kg (77.2 lbs)-Driverbox included		43.4kg (95.7 lbs)
Carton Size	Type-A	L660*W525*H190mm/25.98*20.67*7.48"		L690*W690*H190mm/27.17*27.17*7.48"		L960*W690*H200mm/37.80*27.17*7.87"
	Type-C	L660*W460*H215mm/25.98*18.11*8.46"		L685*W430*H420/26.97*16.93*16.54"		-
	Type-B	L720*W610*H195mm/28.35*24.02*7.68"		L775*W775*H195mm/30.51*30.51*7.68"		L920*W740*H200mm/36.22*29.13*7.87"
	Type-Bx (Driver fixed)	L720*W610*H195mm/28.35*24.02*7.68"		L775*W775*H195mm/30.51*30.51*7.68"		L920*W740*H200mm/36.22*29.13*7.87"
Application Field	Suitable for stadium, sports field, port, railway station					
Important Note!	The provided information is solely for reference; the official measurement report holds higher authority.					

Photometrics



Ordering Information

AOK-							
WATTS	VOLTAGE	LED CHIPS	TYPE OF SENSOR	CCT&CRI	DISTRIBUTION	MOUNT	COLOR
400WiSF	NV1=100-277V	S5=Seoul 5050	00=Without Sensor	2770=2700K 70CRI	15=15D	TYPE-A=Top-fixed I	SG=Silver gray
600WiSF	HV1=277-480V	S35=Seoul 3535	PH=Photocell	3070=3000K 70CRI	3585=35*85D	TYPE-B=Yoke mount	BK=Black
800WiSF	HV2=220-400V		DV=Dimmable	4070=4000K 70CRI	2030=20*30D	TYPE-Bx=Driver fixed	Custom request
1200WiSF				5070=5000K 70CRI	30=30D	TYPE-C=Top-fixed II	
1500WiSF				5770=5700K 70CRI	PG30=PG30D		
1800WiSF				2780=2700K 80CRI	PG60=PG60D		
				3080=3000K 80CRI			
				4080=4000K 80CRI			
				5080=5000K 80CRI			
				5780=5700K 80CRI			
Accessories & Control							
SPD 10kV, 20kV optional							
DALI, DMX512, Nema, Zhaga							
Light visor optional							

*HV2 is for 1500W-1800W. The above voltage input is the standard default parameter for certificate. Due to different standards in different countries, please confirm the actual local demand first. The power supply of the product can be customized flexibly.

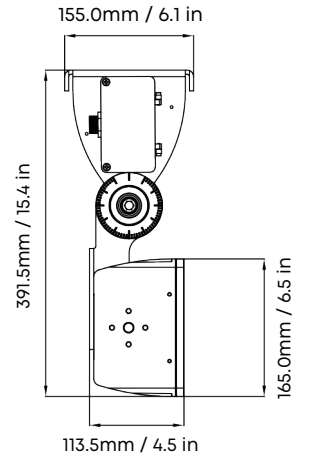
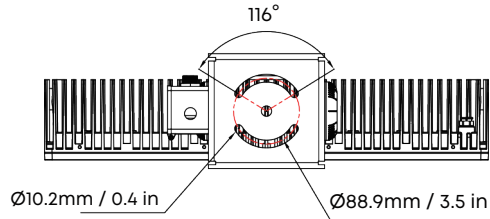
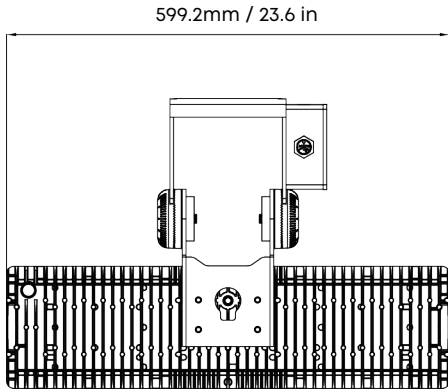
Type A Bracket No.: Module*1: 1000-00398; Module*2: 1000-00399; Module*3: Pls inquire;

Type B Bracket No.: Module*1: 1000-00397; Module*2: 1000-00400; Module*3: 1000-00401;

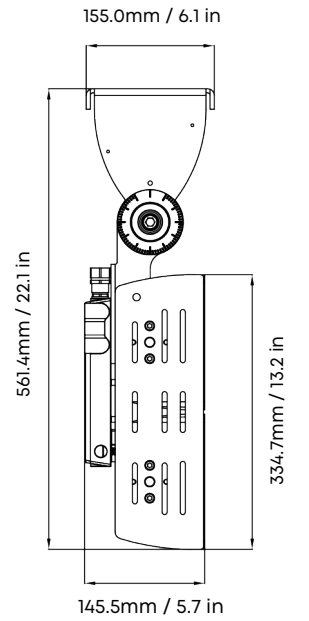
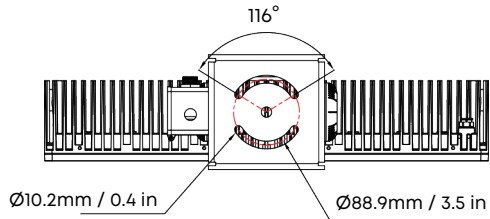
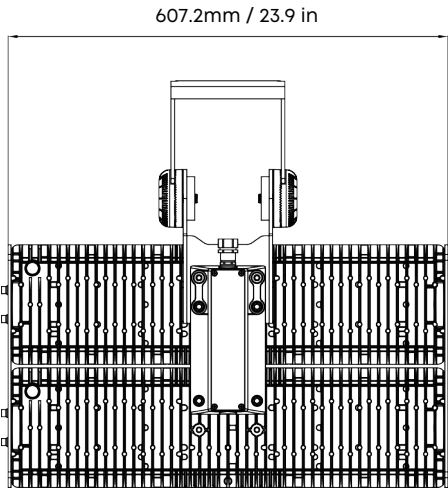
Dimension

TYPE-A: Top Fixed Installation

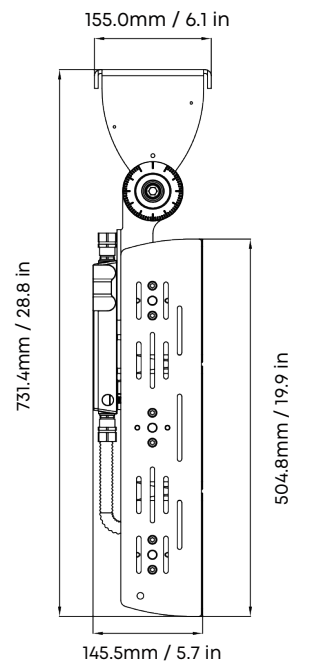
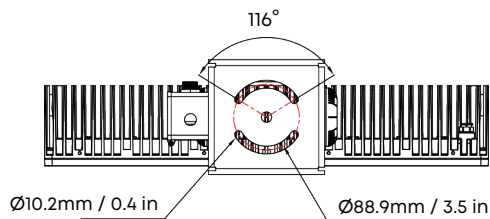
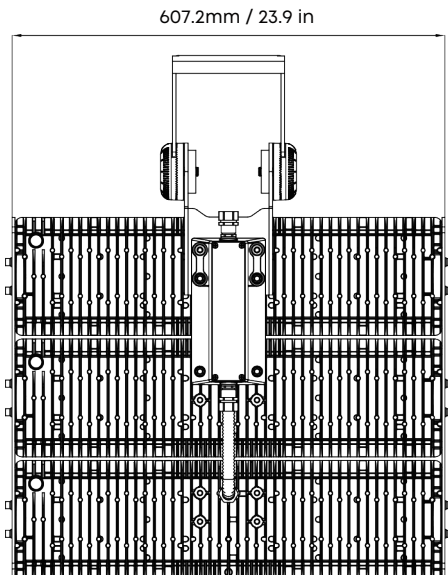
SCx (EPA)@25°:Top view: 0.11m² (1.20ft²) Front view: 0.06m² (0.63ft²)



SCx (EPA)@25°:Top view: 0.21m² (2.31ft²) Front view: 0.06m² (0.63ft²)

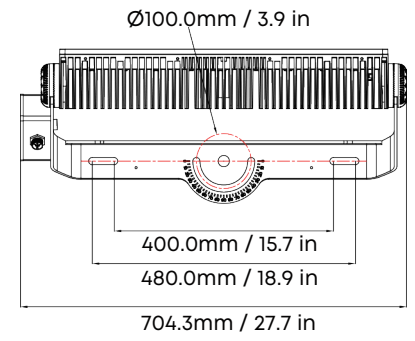
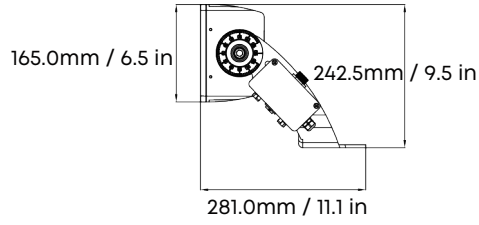
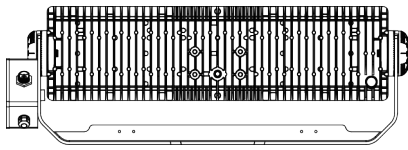


SCx (EPA)@25°:Top view: 0.32m² (3.39ft²) Front view: 0.06m² (0.63ft²)

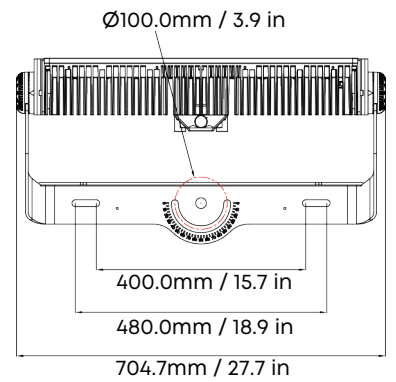
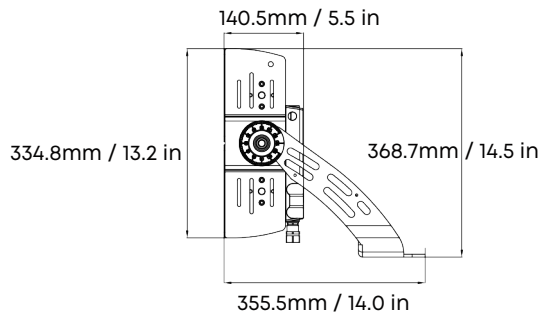
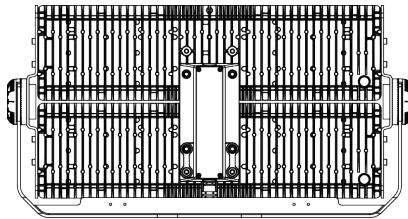


TYPE-B: Yoke Mount

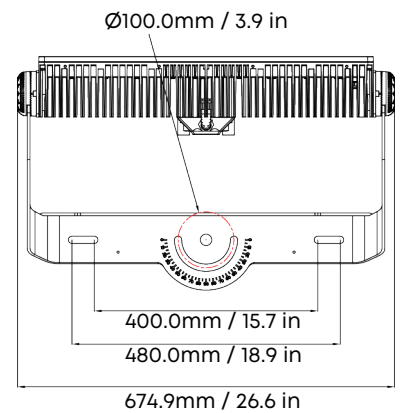
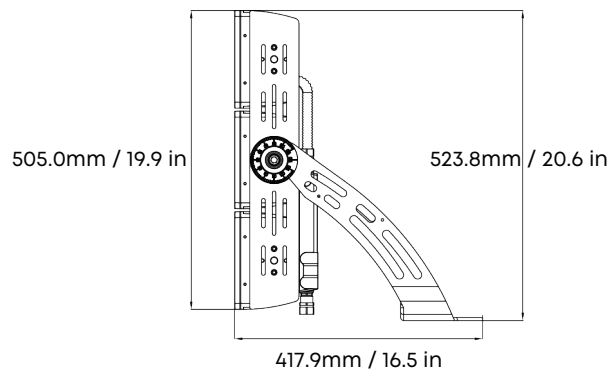
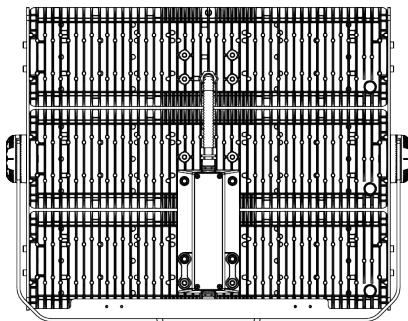
EPA(@25°): Top view: 0.1m² (1.11ft²) Front view: 0.13m² (1.39ft²)



EPA(@25°): Top view: 0.11m² (1.23ft²) Front view: 0.23m² (2.45ft²)

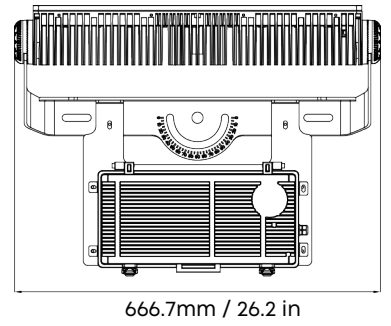
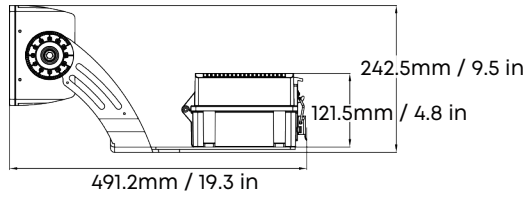
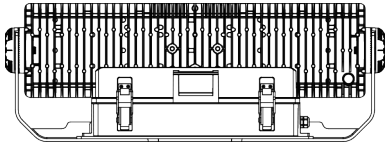


EPA(@25°): Top view: 0.12m² (1.26ft²) Front view: 0.32m² (3.44ft²)

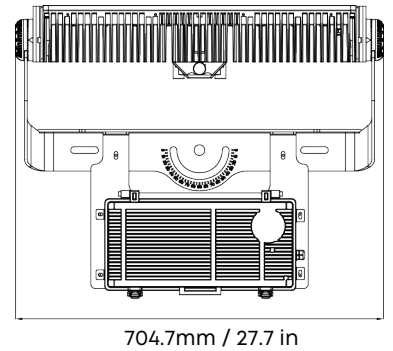
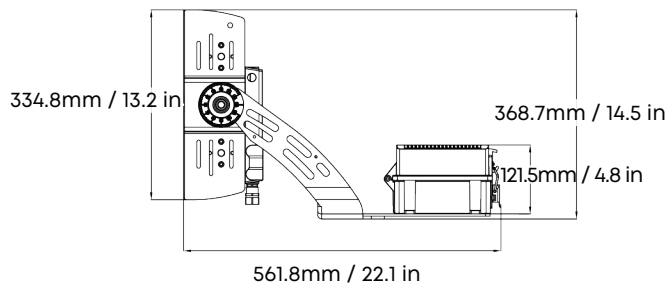
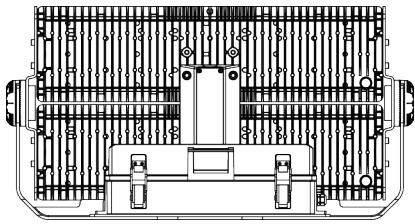


TYPE-B: Yoke Mount (With Driver)

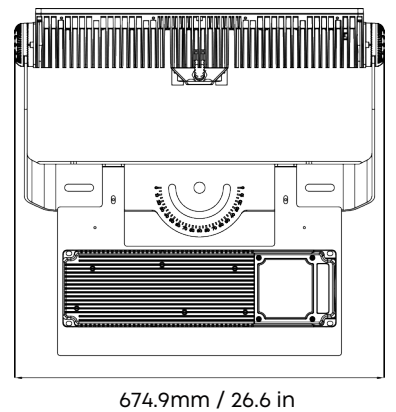
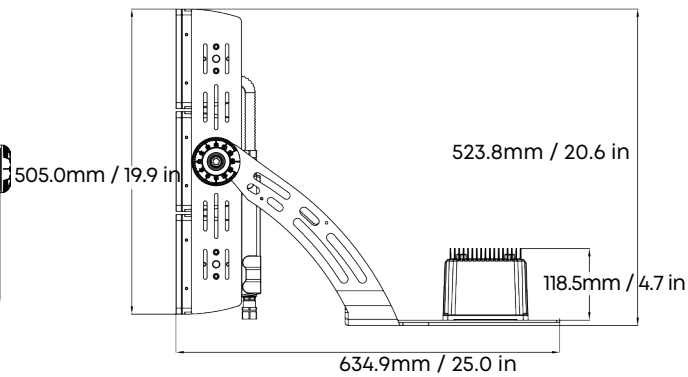
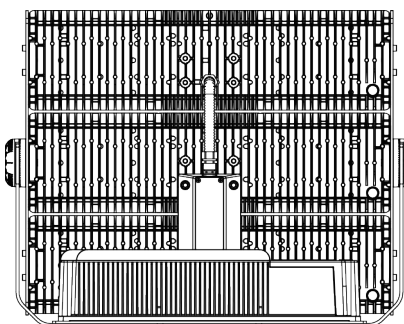
EPA(@25°): Top view: 0.18m² (1.98ft²) Front view: 0.14m² (1.50ft²)



EPA(@25°): Top view: 0.2m² (2.14ft²) Front view: 0.23m² (2.45ft²)

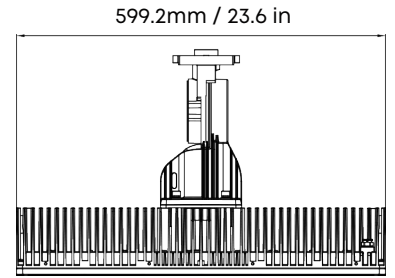
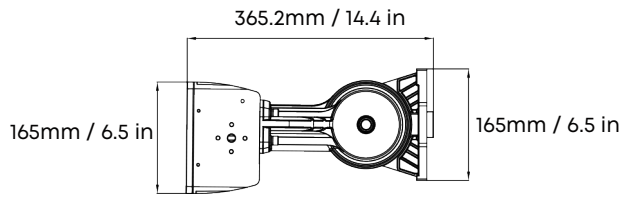
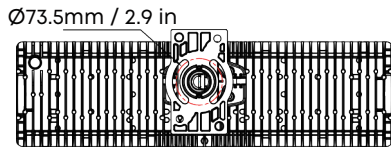


EPA(@25°): Top view: 0.24m² (2.55ft²) Front view: 0.32m² (3.44ft²)

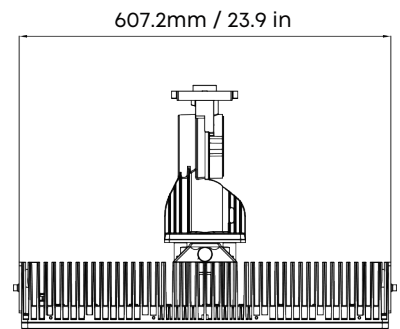
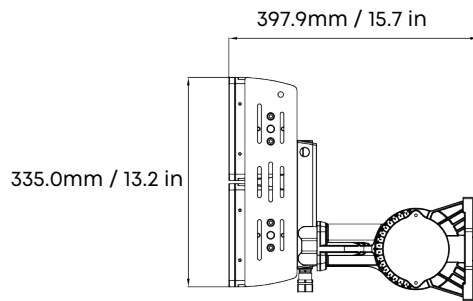
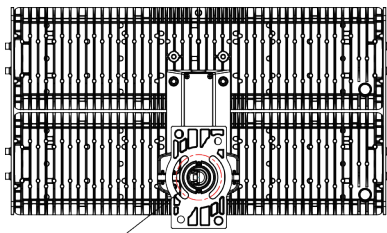


TYPE-C: Top-fixed II

EPA(@25°): Top view: 0.07m² (0.75ft²) Front view: 0.1m² (1.08ft²)



EPA(@25°): Top view: 0.07m² (0.75ft²) Front view: 0.2m² (2.19ft²)





Quality, Honesty, Service and Innovation

Innovative & Tailored Lighting Solutions for **Success**



5 Year Limited Warranty,
10 Year Preferred Warranty.
Please consult with our sales for detailed agreement.

wally@aokledlight.com

www.aokledlight.com

+1 626-986-4050 (US)

+86 755 2357 9148 (CN)

Manufacturing:

Shenzhen: Building 1 & 4, St. George's Science and Technology Industrial Park, Shajing Street, Shenzhen, China, 518124.

Huizhou: Building 2, Yinghui Electronic Science and Tech Park, No. 6 Dongsheng North Rd, Chenjiang Street, Zhongkai High-tech Zone, Huizhou, China. 516006.

Fuzhou HQ: Room 301, Yujing Business Center Zone 1, No. 12 Baihuazhou road, Cangshan district, Fuzhou, China, 350007

Copyright ©2024 AOK LED LIGHT CO., LTD. All Right Reserved.