

200+ Patent Certificates
\$1,000,000+ Annual Energy Saving
20,000+ Projects Successfully Installed



FSC Series LED Flood Light

Power: 400W - 1200W



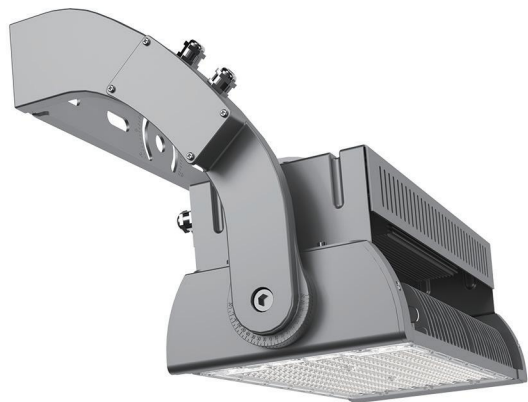
Innovative & Tailored
Lighting Solutions for **Success**
www.aokledlight.com

Features of **FSC** Series

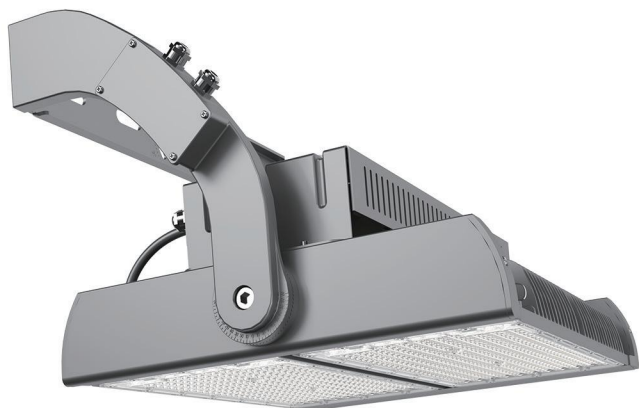


CASAMBI optional

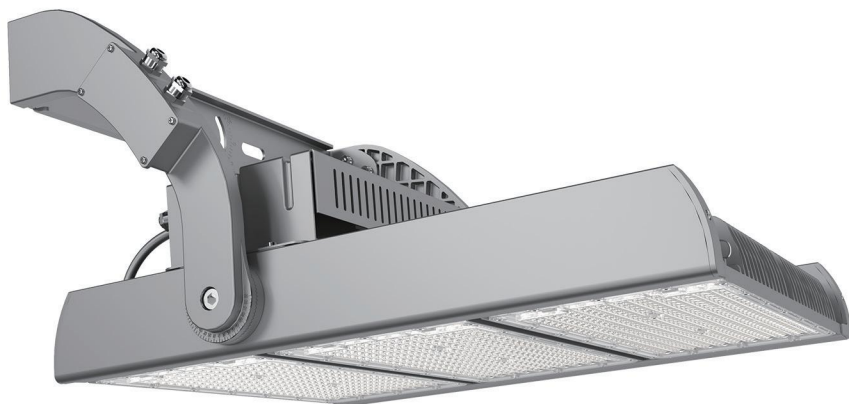
For others & details
please request



< FSC 400W



< FSC 600W-800W



< FSC 1000W-1200W



● **WARRANTY**

5 Year Limited Warranty,
10 Year Preferred Warranty.

Please consult with our sales for detailed agreement.

The FSC Series Floodlights/Stadium Lights offer cost-effective and high-performance lighting solutions. They excel in light efficiency and energy savings, boasting lightweight design for easy installation and maintenance. Key features include:

- Modular design for quick assembly, Plug & Play maintenance;
- Anti-corrosive finish for extremely corrosive environments;
- Efficient thermal management and excellent heat dissipation;
- Optional smart lighting controls;
- ULOR: = 0% ensures minimal light pollution.

The **benefits** of opting FSC series



• **Regular 3030 or Efficient 5050 Optional**

High-performance LED efficacy up to 185lm/W or regular 3030 chips economy solutions optional.



• **Plug & Play Maintenance**

The plug & play design of the module facilitates effortless replacement of parts.



• **Accurate Installation**

A dial bracket (optional) simplifies adjusting the angle during installation, making it user-friendly.



• **Reinforced Compound Bracket**

Combining **SUS-304 stainless steel** and die-cast composite materials successfully clears a **3G & wind-resisted** test.



• **Light Weight Design**

The 1200W fixture (without driverbox) has a total weight of **<19kg**, offering a lightweight design without compromising



• **Professional Optic Design For Sports**

An asymmetric light distribution system that can be tailored to your specific needs.



• **DMX or DALI 2 Control Options**

DMX or DALI 2 is optional (in certain configurations). Please consult for detailed functions and requirements.



Note: Normal Voltage=100-277VAC, High Voltage=277-480VAC, please evaluate before choosing. For the power supply in the United States and Canada, in case the input voltage fluctuation $\geq 240V$ the High Voltage solution is highly recommended for performance stability. Improper selection will cause damage to the driver or the light.

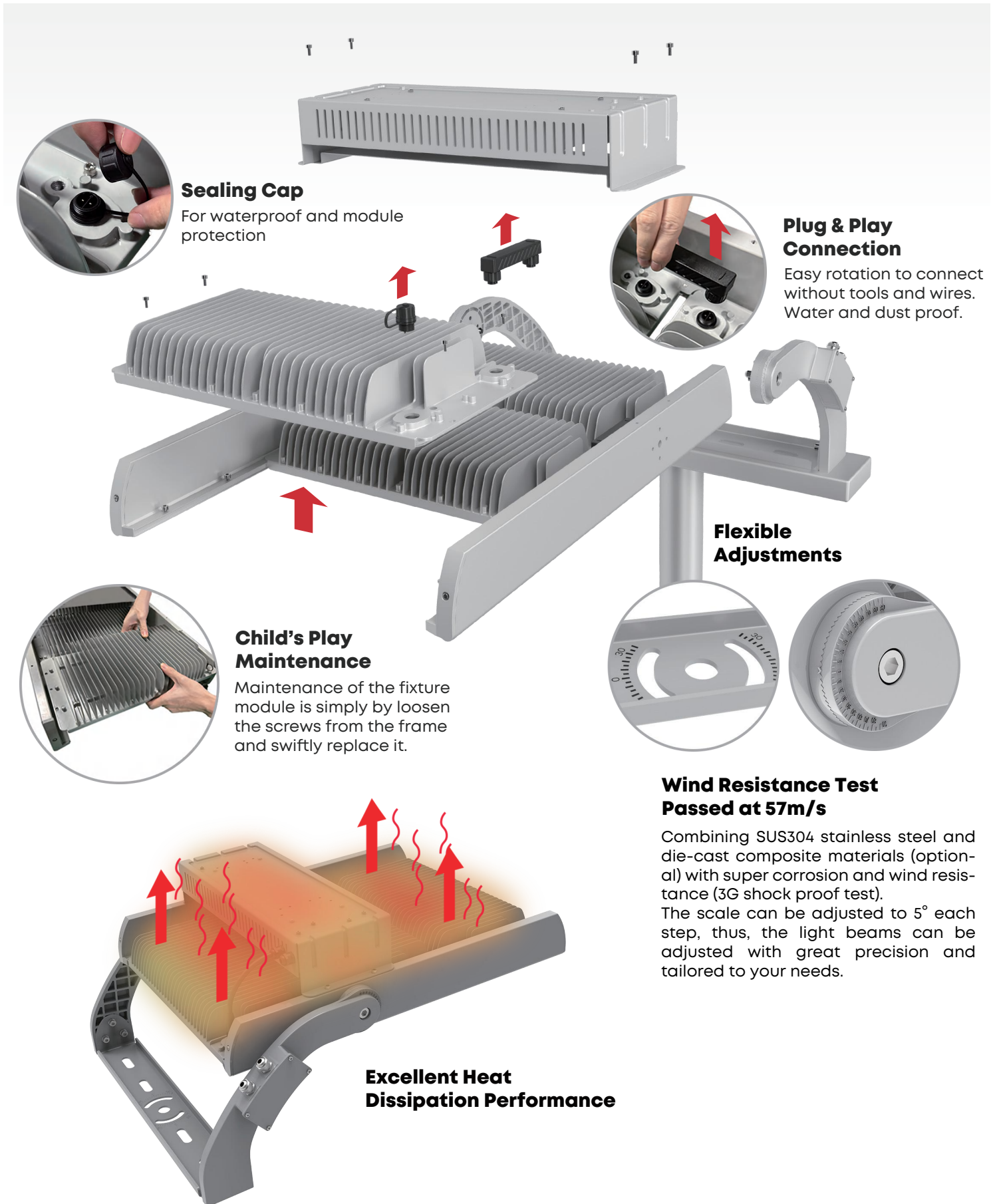
wally@akledlight.com
+1 626-986-4050 (US)
+86 755 2357 9148 (CN)

©2024 AOK LED LIGHT CO., LTD. All Right Reserved.



Flexible & Versatile For the Sake of Adaptability

Plug & Play design and multiple mounting options turn every installation & maintenance job into child's play.



Sealing Cap

For waterproof and module protection

Plug & Play Connection

Easy rotation to connect without tools and wires. Water and dust proof.

Flexible Adjustments

Child's Play Maintenance

Maintenance of the fixture module is simply by loosening the screws from the frame and swiftly replacing it.

Wind Resistance Test Passed at 57m/s

Combining SUS304 stainless steel and die-cast composite materials (optional) with super corrosion and wind resistance (3G shock proof test).

The scale can be adjusted to 5° each step, thus, the light beams can be adjusted with great precision and tailored to your needs.

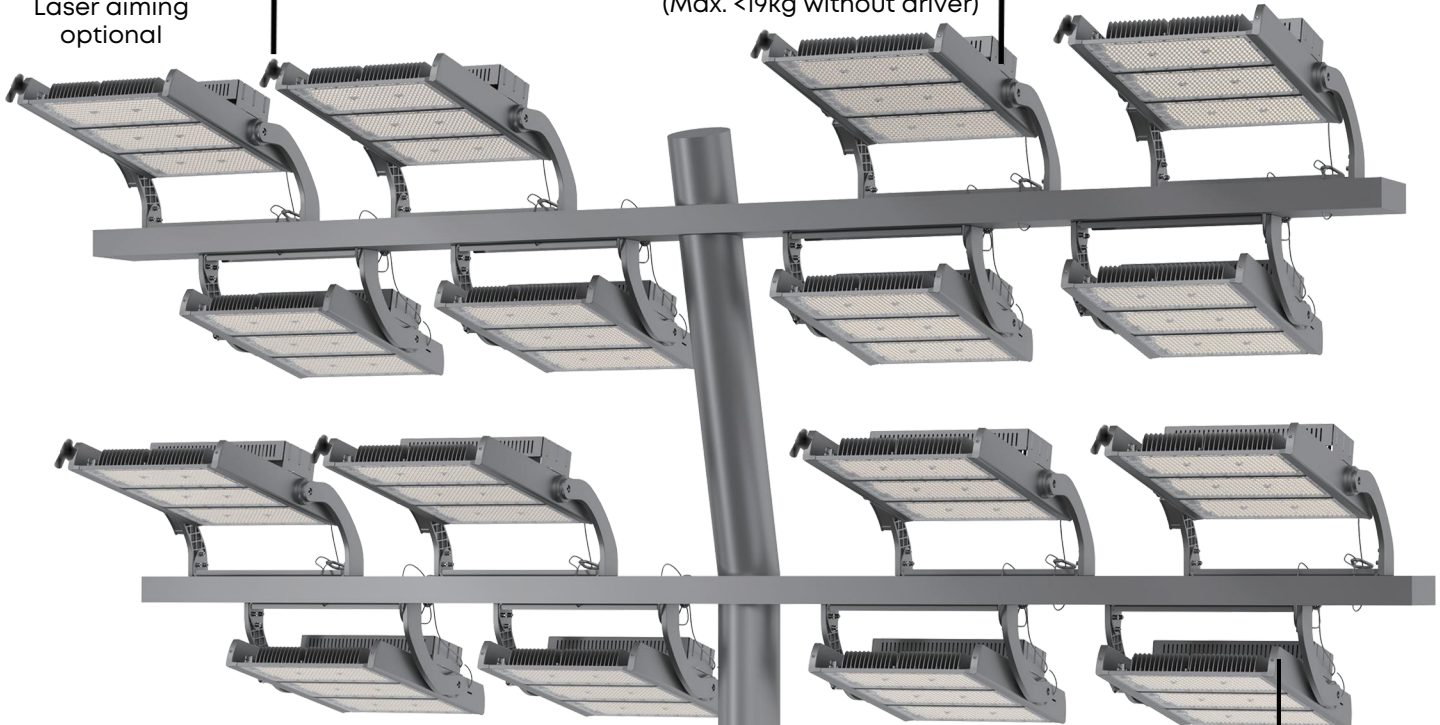
Excellent Heat Dissipation Performance



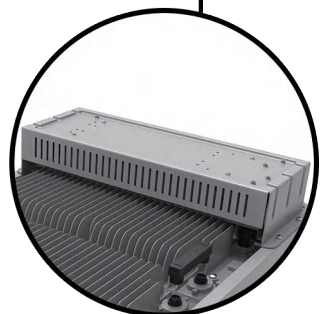
Laser aiming optional



Light weight ensures enhanced safety (Max. <19kg without driver)

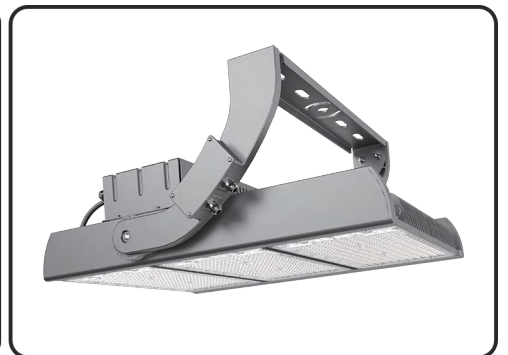
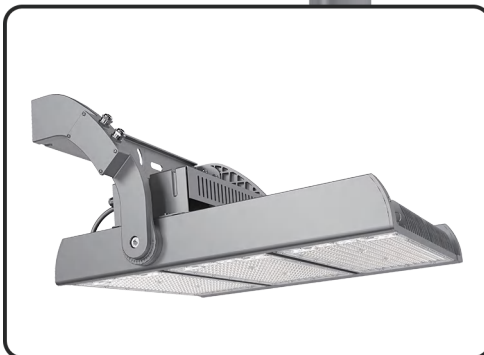


SUS304 safety rope as standard instantaneous bearing capacity 500kg

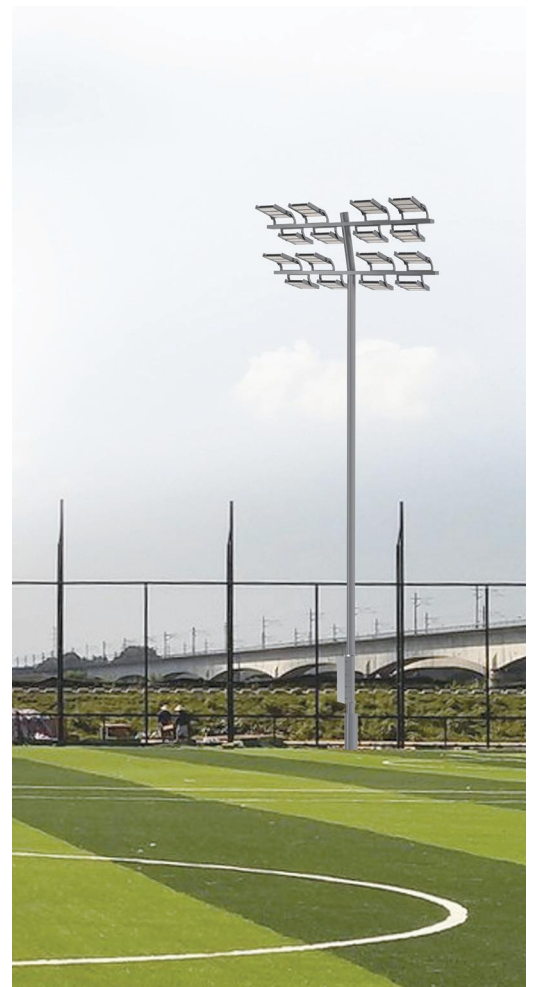


Integrated/Remote driver installation 2 selectable options which can be tailored to meet specific requirements

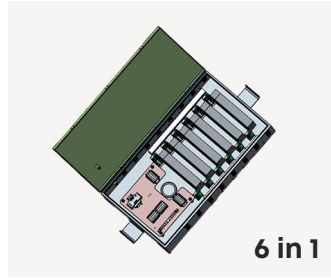
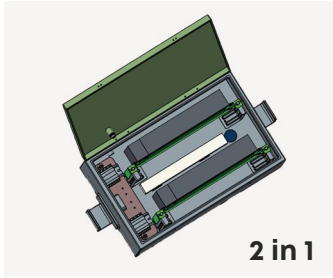
• **Flexible Installation**



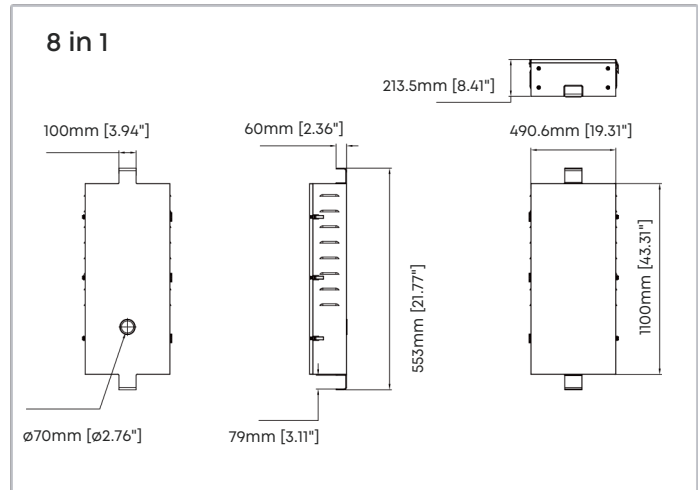
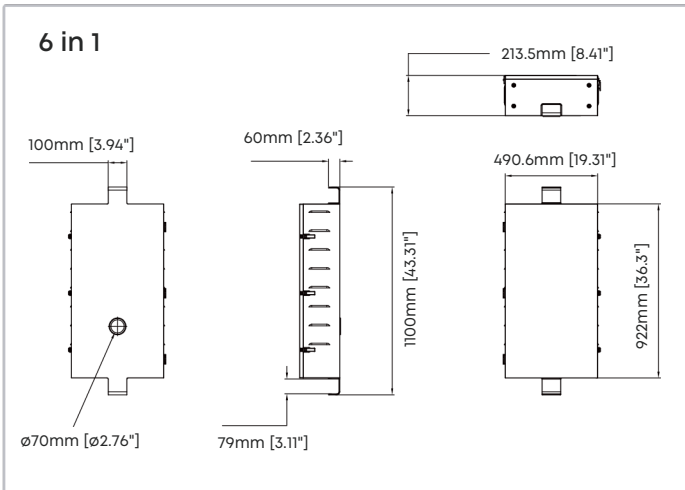
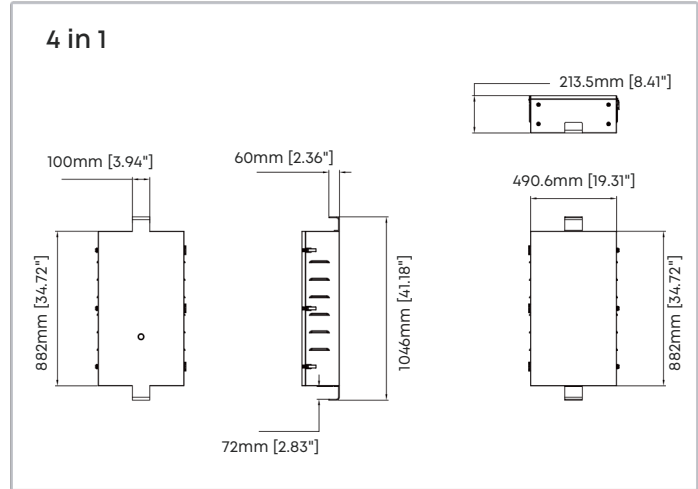
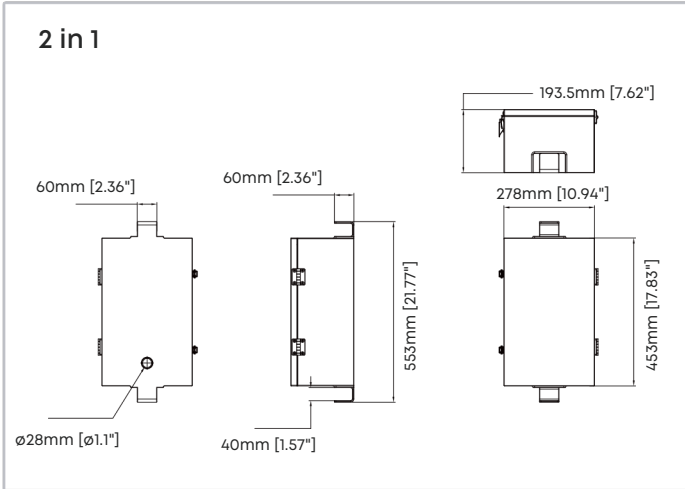
Split Installation Optional



Standard Options (Customizable)

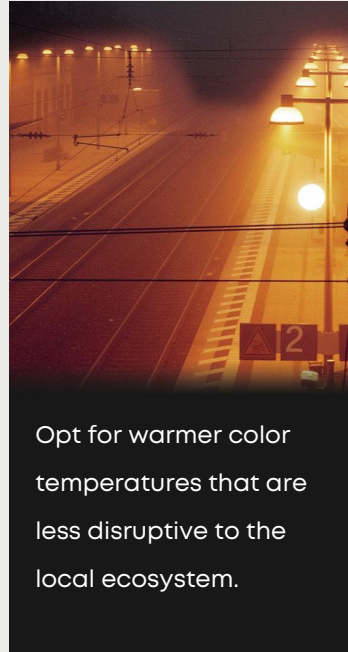
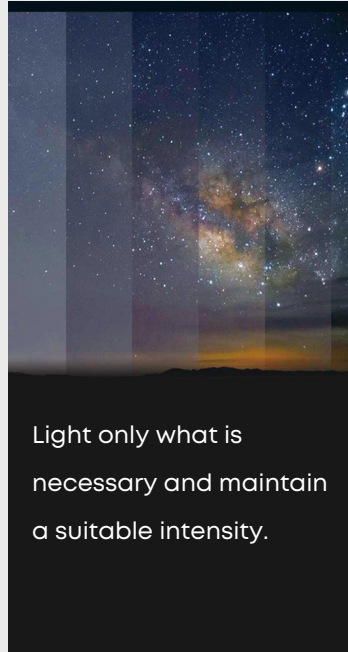
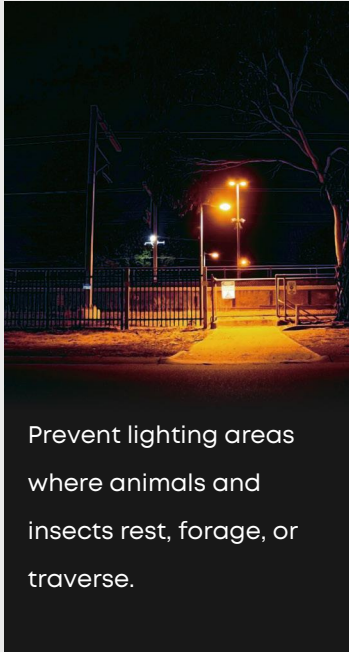


Dimensions



A New Form of **Green Light**

Light sets the pace of our lives. Artificial light can be truly annoying. It can throw both us and nature off balance - with far-reaching consequences for insects and the entire downstream food chain. The FSC floodlighting offers particularly animals & insects friendly light with 2700K~3000K options to reduce impact on the environment.



Animals & Insects Friendly
2700K-3000K
CCT available

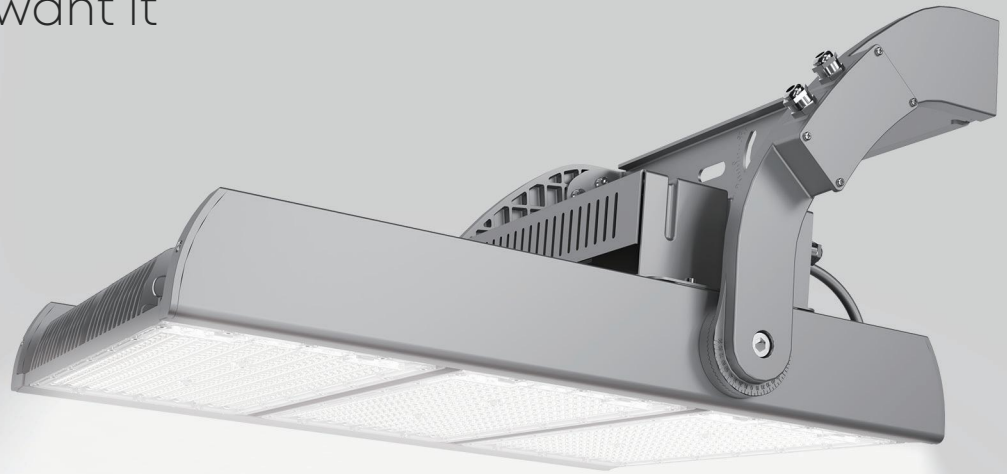
Environmental Protection Matters



The process of manufacturing and disposing of the product must be taken into consideration. That's why we optimize energy usage and employ a clever modular concept in manufacturing our FSC product, as well as using plastic-free packaging. This is how we define eco-friendly products.

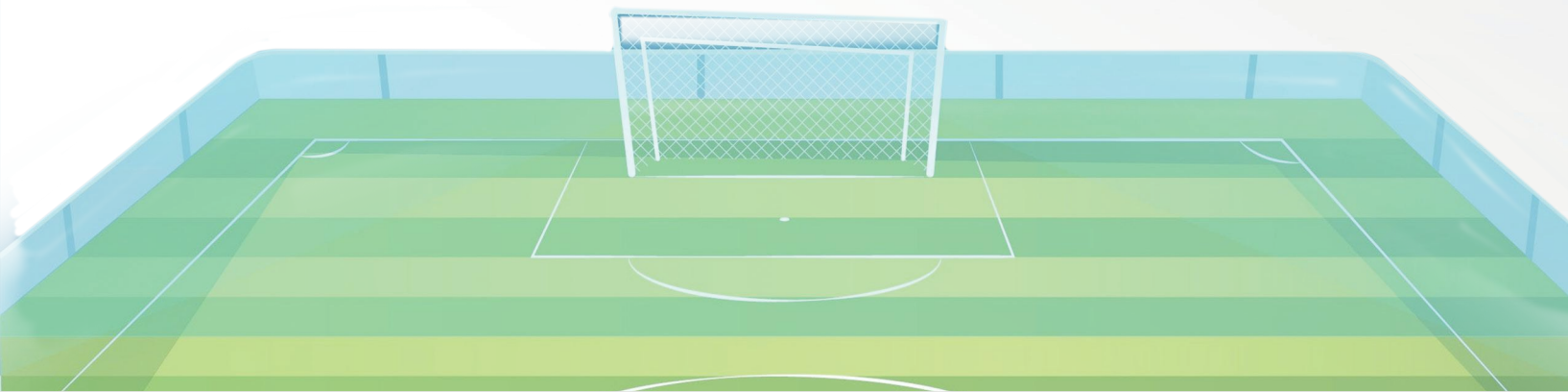
ULOR= 0%

No lighting pollution
Light where player need it
and spectators want it



100% precise
0% light pollution

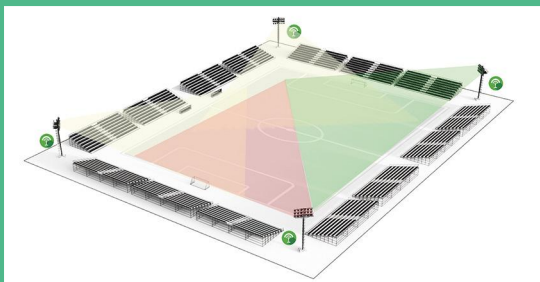
Thanks to its new asymmetric light distribution system, the Floodlight FSC can precisely focus the light onto the sports ground or playing field, and only there. There is no spill light or intrusive light, keeping the night sky dark. Nature and residents remain undisturbed



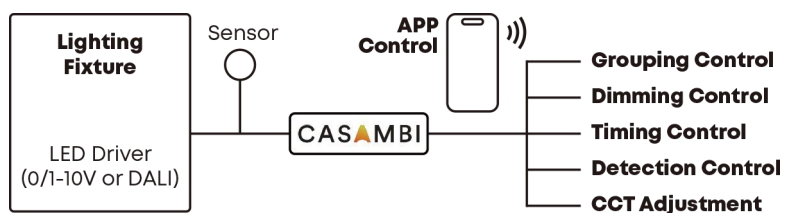
High Efficiency and Energy Savings Yield Better Economy and Project Cost



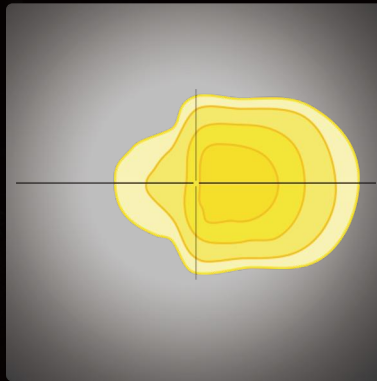
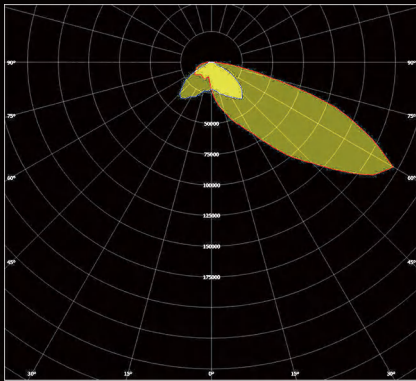
DMX and Smart Sports Lighting Control



Casambi Control



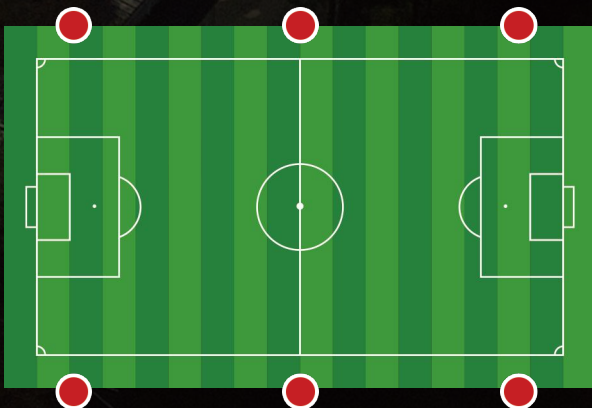
Professional Asymmetric Photometry For Sports



Upon careful comparison, the FSC series demonstrates superior light efficiency and reduced power consumption, leading to fewer required lamps and overall energy savings. This translates into improved economic viability and lower project costs.

6 Masts	FSC-800W 4080-PG60	Counterpart Product 800W Fixture
Number of luminaires	14PCS	18PCS
Total Power & Average Efficacy	11,200.0W; 163.73lm/W	14,395.4W; 105.96lm/W
Horizontal illuminance Em	260lx	259lx
Uniformity U0 g1	0.75	0.75

**Fewer Luminaires,
22% Energy Saved!**



Project Info

Play ground size: 67*46m

Power request: 800W

Installation height and pole: 20m*6 poles

Play area Lux reading: 260~280lx

CCT & CRI: 4000K, Ra>80

Note: The data above is derived from real project simulations and provided for reference only, respecting confidentiality.

Parameter Table

Electrical Data						
Model	AOK-FSC400W	AOK-FSC600W	AOK-FSC800W	AOK-FSC1000W	AOK-FSC1200W	
Power(w)	400W	600W	800W	1000W	1200W	
Input Voltage	100-277Vac/200-277Vac/200-480Vac/277-480Vac, 50/60Hz					
THD	<12%					
PF	0.96	0.96	0.96	0.96	0.97	
Driver Efficiency	94%	94%	94%	94%	95%	
Maximum Current	AC4.49A	AC6.67A	AC8.98A	AC5.61A	AC6.74A	
Control Option	Driver includes wiring for 0-10V dimming systems. Dim as low as 10%.					
Operating Temperature	-40°C to 45°C (-40 °F to 113 °F)					
Surge Protection	10kV / 20kV optional					
Photometric Data						
Efficacy@5050 (lm/W, Std Dev ±5%)	180lm/W	185lm/W	180lm/W	185lm/W	180lm/W	
Luminous Flux@5050(lm, Std Dev ±5%) @CRI 70Ra, 4000K	72000lm	111000lm/W	144000lm	185000lm	216000lm	
Efficacy@3030 (lm/W, Std Dev ±5%)	140lm/W	145lm/W	140lm/W	145lm/W	140lm/W	
Luminous Flux@3030(lm, Std Dev ±5%) @CRI 70Ra, 4000K	56000lm	87000lm	112000lm	145000lm	168000lm	
CCT	2700K, 3000K, 4000K, 5000K, 5700K, 6500K					
CRI	70Ra, 80Ra					
LED Model	A5050 / S3030					
Lens	Polycarbonate					
Beam Angle	PG60° (120°*40°)					
Mechanical Data						
IP/IK Rating	IP66/IK10, according to standard EN 60529 and EN 62262					
Vibration Resistance	3G, conform to standard IEC 68-2-6					
EPA(SCx), Fixture Body	Side: 0.2828ft²(0.026m²); Top: 1.299ft²(0.121m²)	Side: 0.0748ft²(0.805m²); Top: 2.7197ft²(0.253m²)	Side: 1.0371ft²(0.096m²); Top: 3.9546ft²(0.367m²)			
Housing	Heavy-duty die-cast aluminum (EN AC-46100)					
Heat Radiator	Aluminum alloy					
Surface Treatment	Anti-UV thermosetting polyester / Anti-UV thermosetting polyester (for extremely corrosive environments).					
Painting	Silver Gray,Black, Custom request					
Cable	Pre-wired with a 30 cm cable (Other lengths on request)					
Mounting	Yoke Mount					
Other Data						
Lifespan	L70B10 - 108 000 h, @Tq 25°C@5050 / L70B10 - 72000 h, @Tq 25°C@3030					
Warranty	5 years limited warranty (Warranty extension up to 10 years on request)					
Certification	CE, ROHS, ENEC					
Product Size	With dirver box	432*604*383mm / 17*23.78*15.08 inches	550*604*383mm / 21.65*23.78*15.08 inches	785*604*384mm / 30.91*23.78*15.12 inches		
	Without dirver box	432*604*293mm / 17*23.78*11.54 inches	550*604*293mm / 21.65*23.78*11.54 inches	785*604*293mm / 30.91*23.78*11.52 inches		
Net Weight	With dirver box	12.6KG /27.78 LBS	17.8KG /39.24 LBS	23.8KG /52.47 LBS		
	Without dirver box	8.4KG /18.52 LBS	13.3KG /29.32 LBS	18.9KG /41.67 LBS		
Carton Size	With dirver box	595*660*280mm / 23.43*25.98*11.02 inches	710*660*280mm / 27.95*25.98*11.02 inches	945*660*280mm / 37.20*25.98*11.02 inches		
	Without dirver box	595*660*280mm / 23.43*25.98*11.02 inches	710*660*280mm / 27.95*25.98*11.02 inches	945*660*280mm / 37.20*25.98*11.02 inches		
Gross Weight		13.8KG / 30.42LBS	19.5KG /42.99LBS	24.8KG /54.67 LBS		
		9.6KG / 21.16LBS	15.0KG /33.07LBS	19.9KG /43.87 LBS		

Important Note!

The provided information is solely for reference; the official measurement report holds higher authority.

Ordering Information

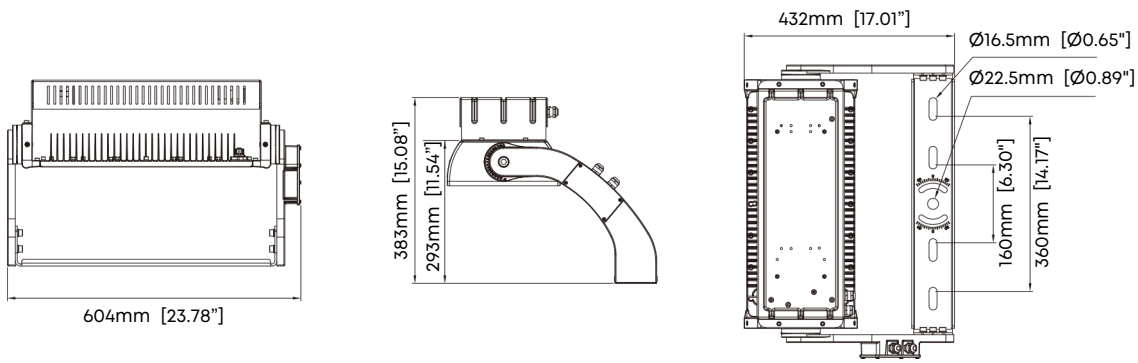
AOK	WATTS	VOLTAGE	LED CHIPS	TYPE OF SENSOR	CCT&CRI	DISTRIBUTION	PAINTING	MOUNT
400WFSC	NV=100-277V	A5=5050	00=Without Sensor	2770=2700K 70CRI	PG60° (120°*40°)	SG=Silver Gray	Yoke	
600WFSC	HV1=200-480V	S3=3030		3070=3000K 70CRI		BK=Black		
800WFSC	HV2=100-480V			4070=4000K 70CRI		Custom request		
1000WFSC				5070=5000K 70CRI				
1200WFSC				5770=5700K 70CRI				
				6570=6500K 70CRI				
				2780=2700K 80CRI				
				3080=3000K 80CRI				
				4080=4000K 80CRI				
				5080=5000K 80CRI				
				5780=5700K 80CRI				
				6580=6500K 80CRI				

Accessories
SPD 10kV, 20kV optional
Laser aiming optional

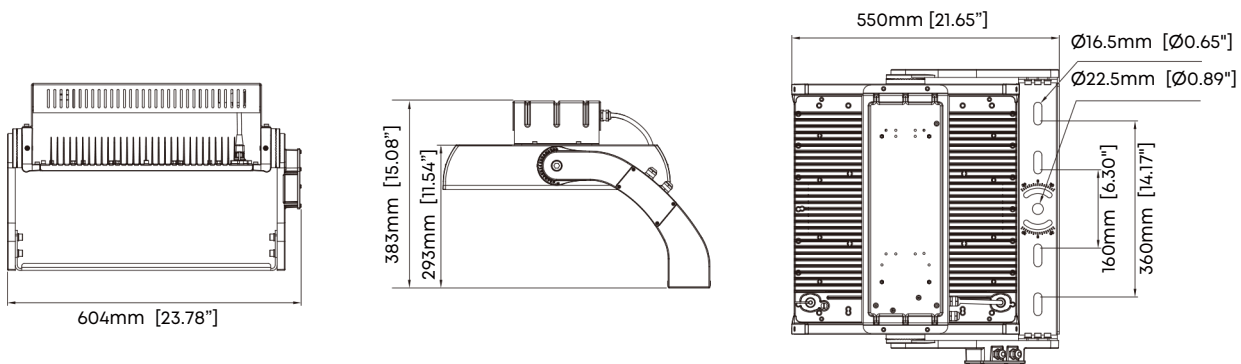
*Due to the constant improvements in product development, individual parameters might change. Please refer to our sales or R&D team for most up-to-date content as specifications are subject to change without notice.

Dimensions

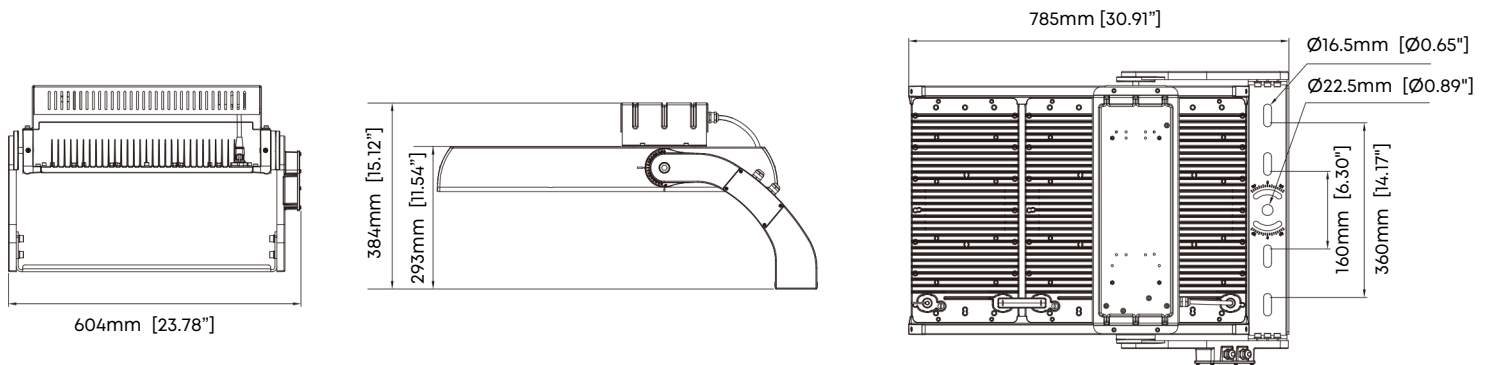
400W



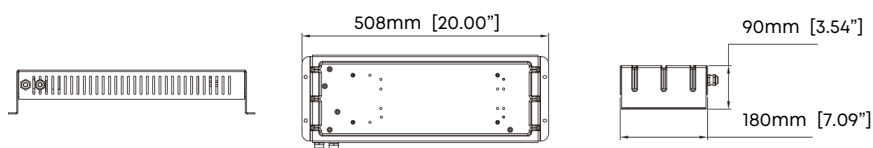
600W/800W



1000W/1200W



Driver Box





Quality, Honesty, Service and Innovation

Innovative & Tailored Lighting Solutions for **Success**



5 Year Limited Warranty,
10 Year Preferred Warranty.
Please consult with our sales for detailed agreement.

wally@aokledlight.com

www.aokledlight.com

+1 626-986-4050 (US)

+86 755 2357 9148 (CN)

Manufacturing:

Shenzhen: Building 1 & 4, St. George's Science and Technology Industrial Park, Shajing Street,
Shenzhen, China, 518124.

Huizhou: Building 2, Yinghui Electronic Science and Tech Park, No. 6 Dongsheng North Rd, Chenjiang
Street, Zhongkai High-tech Zone, Huizhou, China. 516006.

Fuzhou HQ: Room 301, Yujing Business Center Zone 1, No. 12 Baihuazhou road, Cangshan district,
Fuzhou, China, 350007

Copyright ©2024 AOK LED LIGHT CO., LTD. All Right Reserved.