

200+ Patent Certificates
\$1,000,000+ Annual Energy Saving
20,000+ Projects Successfully Installed



OF Series LED Stadium Light/Flood Light

Power: 400W - 960W



Innovative & Tailored
Lighting Solutions for **Success**
www.aokledlight.com

Features of **OF** Series



For others & details please request



> 400W-600W



Safety rope
as standard



> 750W-960W



WARRANTY

5 Year Limited Warranty,
10 Year Preferred Warranty.
Please consult with our sales for detailed agreement.

The OF series is the perfect solution for your exterior sports lighting needs. It features a high output and high efficiency LED flood light that is designed to minimize glare without compromising performance. Its unique optical design makes it suitable for a variety of flood distributions, including large areas, port and rail centers, and exterior sports. With its superior performance and versatile design, the OF series is the ideal choice for anyone looking for reliable and efficient exterior sports lighting.

- Heavy duty die-cast aluminum housing;
- The driver compartment has the flexibility to either be installed onto or separated from the light fixture;
- The light engine is designed to be thermally isolated from the driver component;
- UV stabilized polyester powder paint finish;
- The modular optical assemblies make maintenance easy;
- Horizontal and vertical aiming.

The **benefits** of opting OF series



• **Optimized Bracket**

With a dial gauge, precise adjustments can be made during installation.



• **Modular Design**

Modular construction, hassle-free upkeep.



• **Exceptional Impact Resistance**

IK10, Passed 3G Shock Resistance Test.



• **Light Visor Optional**

Anti-glare Design, control light pollution.



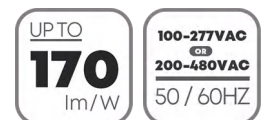
• **Flexible Installation**

4 Installation Methods Optional, Flexible adaptation to installation scenarios.



• **Professional Optic Design For Sports**

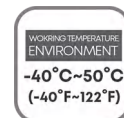
Multiple light distribution options available, professional simulation design.



100-277VAC
200-480VAC
50 / 60HZ



CRI
Ra70/80/90



THD
< 20%



IP66
IK10



UGR
< 19



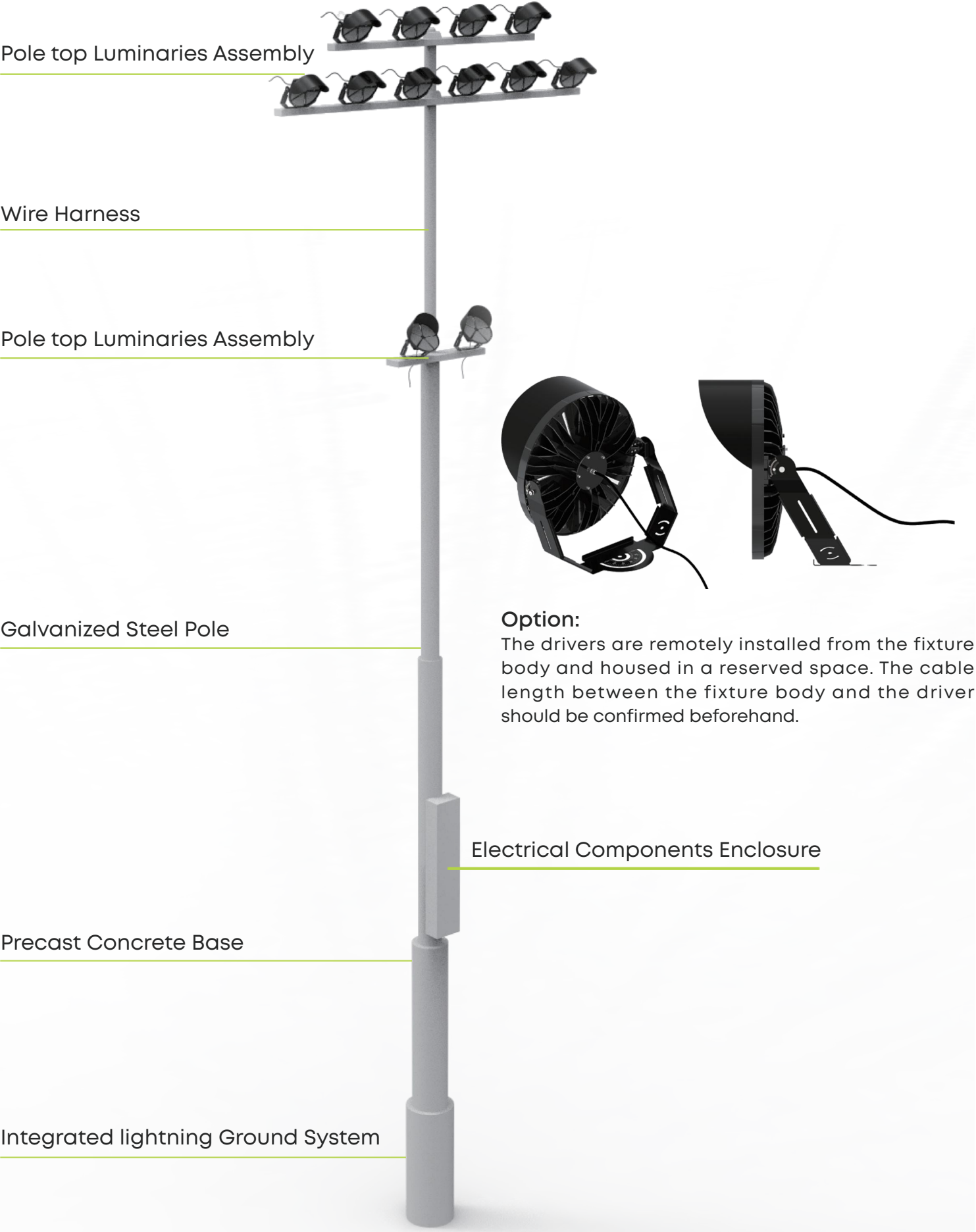
Note: Normal Voltage=100-277VAC, High Voltage=277-480VAC, please evaluate before choosing. For the power supply in the United States and Canada, in case the input voltage fluctuation $\geq 240V$ the High Voltage solution is highly recommended for performance stability. Improper selection will cause damage to the driver or the light.

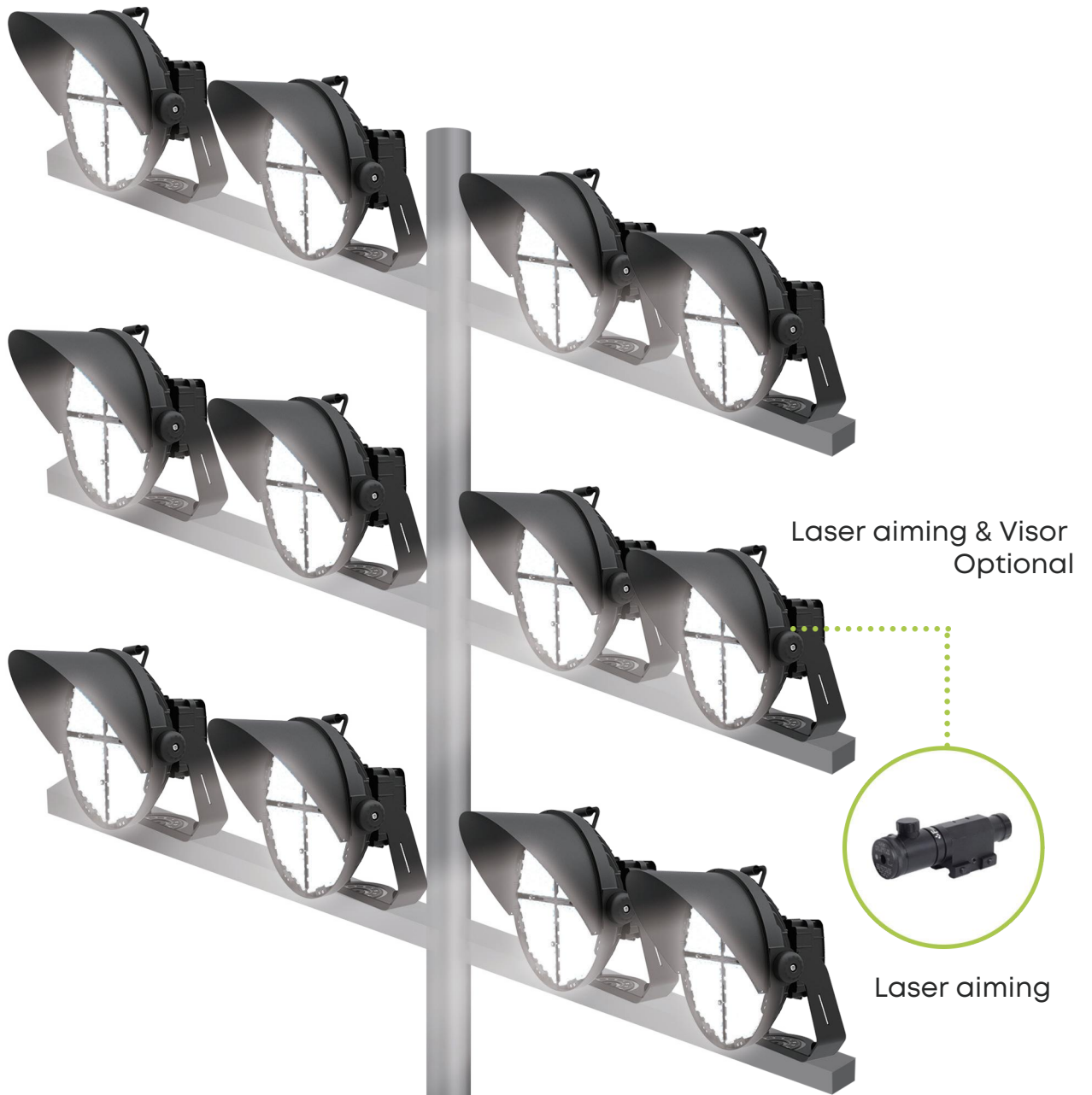
wally@akledlight.com
+1 626-986-4050 (US)
+86 755 2357 9148 (CN)

©2024 AOK LED LIGHT CO., LTD. All Right Reserved.



High Mast Lighting



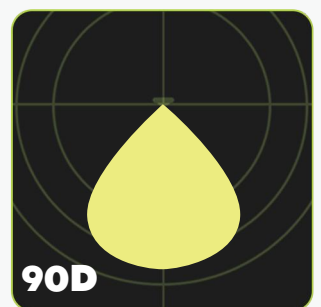
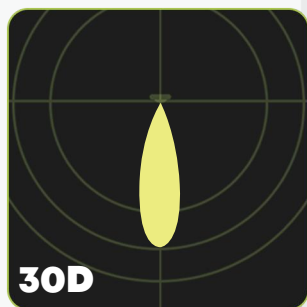


Laser aiming & Visor
Optional



Laser aiming

Photometric Design



*As the products are upgraded,
the accessories may differ from those described in the pictures.

Application Reference

- Sports field
- Stadium
- Port
- Railway station
- Large out area





University
Gymnasium



National
Parade Square



Parameter Table

Electrical Specifications						
Model	AOK-400WOF	AOK-460WOF	AOK-600WOF	AOK-750WOF	AOK-960WOF	
Power(W)	400 W	460 W	600 W	750 W	960 W	
Input Voltage	Normal Voltage=100-277VAC, High Voltage=277-480VAC, please read *Note-1 before choosing.					
THD	<20%					
PF	>0.90					
UGR	<19					
Control Option	DALI, 1-10V/ PWM / Timer dimming, Nema, Zhaga, Photocell.					
Operating Temperature	-40°C to 50°C (-40 °F to 122 °F)					
Driver Brand	Inventronic					
Surge Protection	10kV / 20kV optional					
Photometric Specifications						
Efficacy(lm/W) (CRI 70Ra, 4000K) (Std. Dev ±5%)	15D	144 lm/W	140 lm/W	140 lm/W	143 lm/W	140 lm/W
	30D	166 lm/W	160 lm/W	160 lm/W	148 lm/W	145 lm/W
	60D	169 lm/W	160 lm/W	163 lm/W	150 lm/W	147 lm/W
	90D	166 lm/W	160 lm/W	160 lm/W	--	--
Luminous Flux (lm) (CRI 70Ra, 4000K) (Std. Dev ±5%)	15D	57600 lm	64400 lm	84000 lm	107250 lm	134400 lm
	30D	66400 lm	73600 lm	96000 lm	111000 lm	139200 lm
	60D	67600 lm	73600 lm	97800 lm	112500 lm	141120 lm
	90D	66400 lm	73600 lm	96000 lm	--	--
ULOR	= 0%, @ Luminaire inclination 0°					
CCT	3000K, 4000K, 5000K, 5700K, 6500K					
CRI	Ra70, Ra80, Ra90 optional					
Beam Angle	15D/30D/60D/90D			15D/30D/60D		
Mechanical Specifications						
IP/IK	IP66/IK10, according to standard EN 60529 and EN 62262					
Vibration Resistance	3G, conform to standard IEC 68-2-6.					
SCx (EPA)	Front: 0.30658m ² (3.29ft ²); Side: 0.283354m ² (3.04ft ²)			Front: 0.265331m ² (2.86ft ²); Side: 0.255483m ² (2.75ft ²)		
Housing/Materials	Heavy-duty die-cast aluminum (EN AC-46100)					
Surface treatment	Anti-UV thermosetting polyester/80 micron epoxy primer, Anti-UV thermosetting polyester (for extremely corrosive environments).					
Painting	Black, Customized color					
Cable	Pre-wired with a 1.5m cable (Other lengths on request)					
Mounting	Under Mount Yoke (with or without driver box)					
LED						
LED Manufacturer	LUMILEDS/Seoul					
LED Model	Lumileds 5050/Seoul 3535					
Working Current of Single LED(NV/HV) (Std. Dev ±10%)	15D	88	135	135	74/604	94/773
	30D	35	54	54	74/604	94/773
	60D	35	54	54	74/604	94/773
	90D	35	54	54	*	*
Lens	Polycarbonate, modular design					
Others						
Lifespan	L90B10 > 100000hrs, @Ta 25°C					
Warranty	5 years in standard, 10 years optional					
Certification	UL/cUL/FCC/CE/ENEC/SAA/GS,For other certificates please request					
Product Size	φ554*313mm / 21.8*12.3 inches			φ545*275mm / 21.5*10.8 inches		
Net Weight	20kg / 44.09 lbs			27kg / 59.52 lbs		
Carton Size	740*680*300mm / 29.1*26.8*11.8 inches			800*740*350mm / 31.5*29.1*13.8 inches		
Gross Weight	23kg / 50.71 lbs			31.5kg / 69.45 lbs		
Application Field	Suitable for sports field, stadium, port, railway station, large out area.					
Important Note!	The provided information is solely for reference; the official measurement report holds higher authority.					

* Note-1: For the power supply in the United States and Canada, in case the input voltage fluctuation ≥240V the High Voltage solution is highly recommended for performance stability. Improper selection will cause damage to the driver or the light.

Construction

- Heavy duty die cast aluminum housing.
- Light engine is thermally isolated from the driver compartment.
- UV Stabilized polyester powder paint finish rated for 1000 hour salt spray.
- Easy maintenance access to electrical components.
- Rugged, weather-tight design and 3G Vibration ratings ensure durability even in harsh environments.

Optics

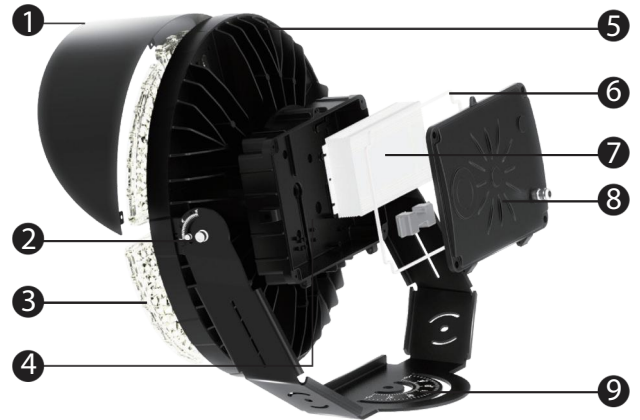
- Rugged, weather-tight design and 3G Vibration ratings ensure durability even in harsh environments.

Electrical

- Professional light distributions to maximize performance: 15°, 30°, 60°, 90° (only for 400W-600W).
- Working temperature: -40°C to 50°C (-40°F to 122°F);
- 1-10V dimming driver device standard.
- Voltage option: 100-277VAC, 50/60HZ standard; 277V-480V, 50/60Hz optional.
- 10KV or 20KV SPD (surge protection device) optional.

Construction Features

1. Visor (light shield)
2. Tilttable arm
3. Light source: top level performance LEDs, system efficacy up to 170lm/W
4. Space reserved for photocell sensor
5. Die casting fixture body
6. Gasket
7. Top level performance driver 1-10V dimmable
8. Driver box cover
9. 0 - ±90° Rotatable bracket



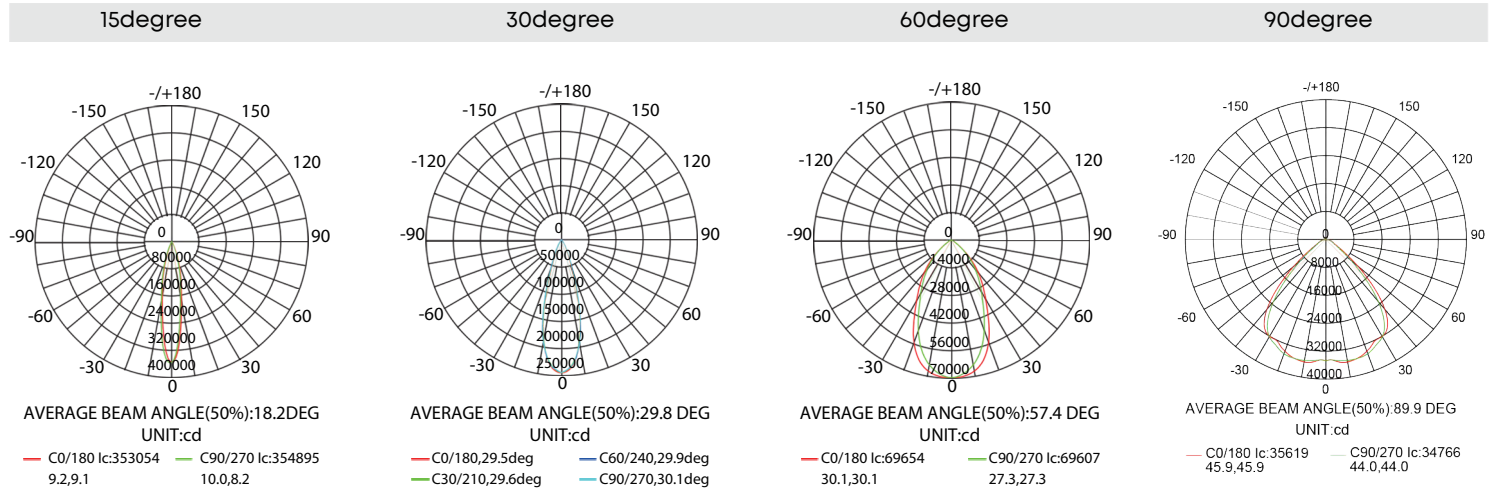
Ordering Information

AOK							
WATTS	VOLTAGE	LED CHIPS	TYPE OF SENSOR	CCT&CRI	DISTRIBUTION	DRIVER	MOUNT
400WOF	NV=100-277V	L5=LUMILEDS5050	00=Without Sensor	3070=3000K 70CRI	15D=15deg	INTEGRAL	UNDER MOUNT YOKE
460WOF	HV=277-480V	*S3=Seoul 3535	SN=Motion sensor	4070=4000K 70CRI	30D=30deg	REMOTE	
600WOF			PH=Photocell	5070=5000K 70CRI	60D=60deg		
750WOF			DV=Dimmable	5770=5700K 70CRI	*90D=90deg		
960WOF				6570=6500K 70CRI		Accessories	
				3080=3000K 80CRI		SPD 10kV, 20kV optional	
				4080=4000K 80CRI		Light visor	
				5080=5000K 80CRI			
				5780=5700K 80CRI			
				6580=6500K 80CRI			

*90D is only available for 400W-600W

*Seoul 3535 is only available for 750W-960W

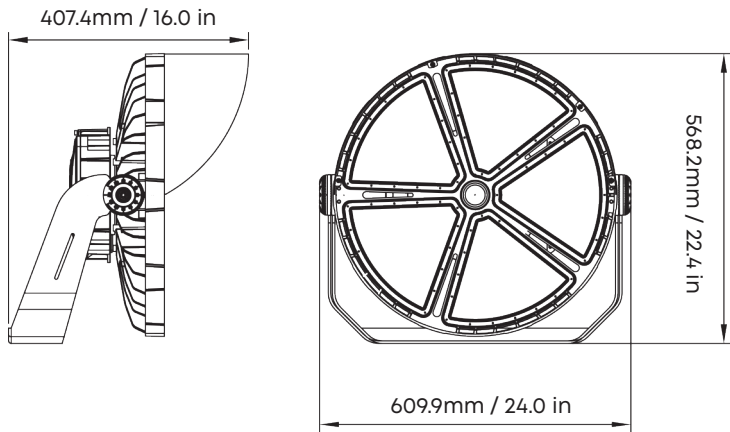
Photometrics



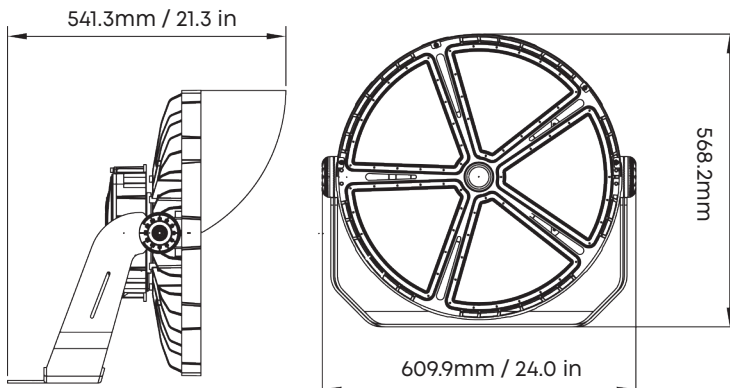
Dimensions

400W-600W

Bracket A

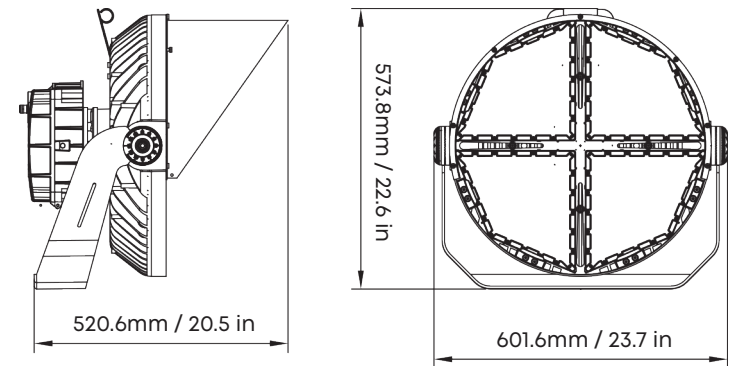


Bracket B

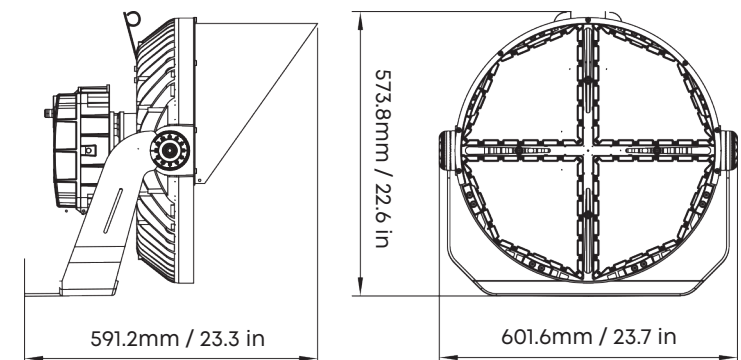


750W-960W

Bracket A



Bracket B



Accessories



Photocell



Steel rope



Visor



Laser aiming

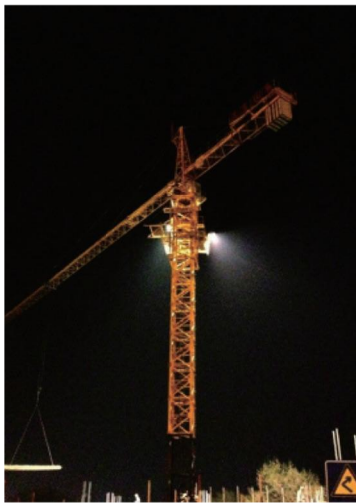


Timing control

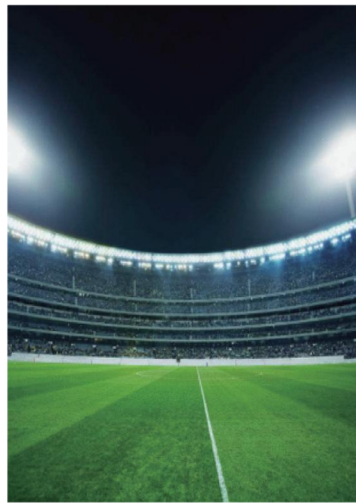


*As the products are upgraded, the accessories may differ from those described in the pictures. Please consult with our sales team for updated details and order separately.

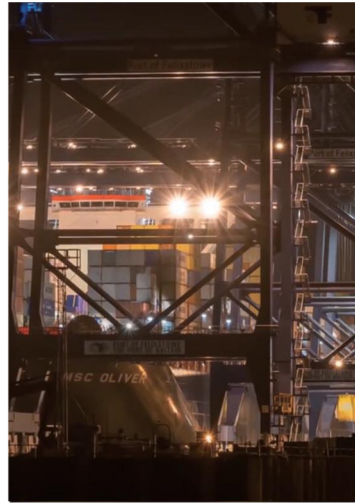
Recommended Installation



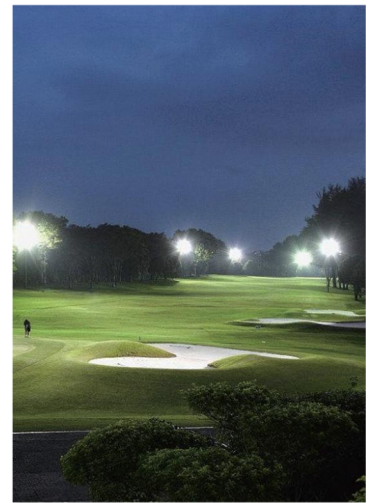
Building site



Indoor and outdoor courts



Sea port



Golf course



Quality, Honesty, Service and Innovation

Innovative & Tailored Lighting Solutions for **Success**



5 Year Limited Warranty,
10 Year Preferred Warranty.
Please consult with our sales for detailed agreement.

wally@aokledlight.com

www.aokledlight.com

+1 626-986-4050 (US)

+86 755 2357 9148 (CN)

Manufacturing:

Shenzhen: Building 1 & 4, St. George's Science and Technology Industrial Park, Shajing Street, Shenzhen, China, 518124.

Huizhou: Building 2, Yinghui Electronic Science and Tech Park, No. 6 Dongsheng North Rd, Chenjiang Street, Zhongkai High-tech Zone, Huizhou, China. 516006.

Fuzhou HQ: Room 301, Yujing Business Center Zone 1, No. 12 Baihuazhou road, Cangshan district, Fuzhou, China, 350007

Copyright ©2024 AOK LED LIGHT CO., LTD. All Right Reserved.