

200+ Patent Certificates
\$1,000,000+ Annual Energy Saving
20,000+ Projects Successfully Installed



S (standard) Version

IL02 LED Street Light

Suitable for European Street

Power: 20W - 300W



Innovative & Tailored
Lighting Solutions for **Success**
www.aokledlight.com

Features of **ILO2** Series



For others & details
please request



< ILO2 (80W-120W/130W-180W/200W-230W/300W)



< ILO2s (20W-70W)



< ILO2 (20W-70W)











WARRANTY

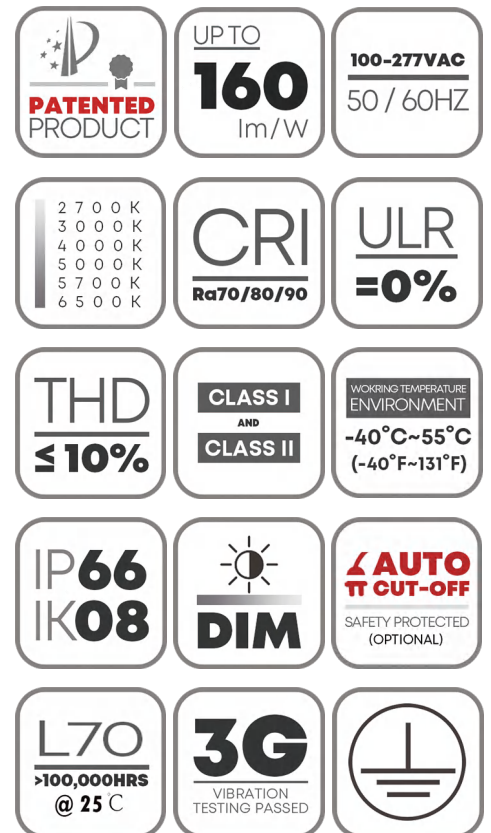
5 Year Limited Warranty,
10 Year Preferred Warranty.
Please consult with our sales for detailed agreement.

The IL02 series is designed for European street lighting needs, featuring precision-engineered lenses made from optical-grade polycarbonate to maximize light intensity. Its micro-lens systems create IESNA Type II, III, and IV distributions, ensuring 0% total lumens above 90 ° (BUG Rating, U=0). This minimizes glare and provides a wider, smoother, and more uniform light output for enhanced visual comfort.

- Heavy-duty die-cast aluminum housing, UV stabilized polyester powder paint;
- 10KV~20KV surge protection;
- PC lens + tempered glass;
- Buckle design, easy maintenance;
- Fin shape radiator, better heat dissipation;
- Optical systems maintain an IP66 rating;

Benefits for choosing IL02

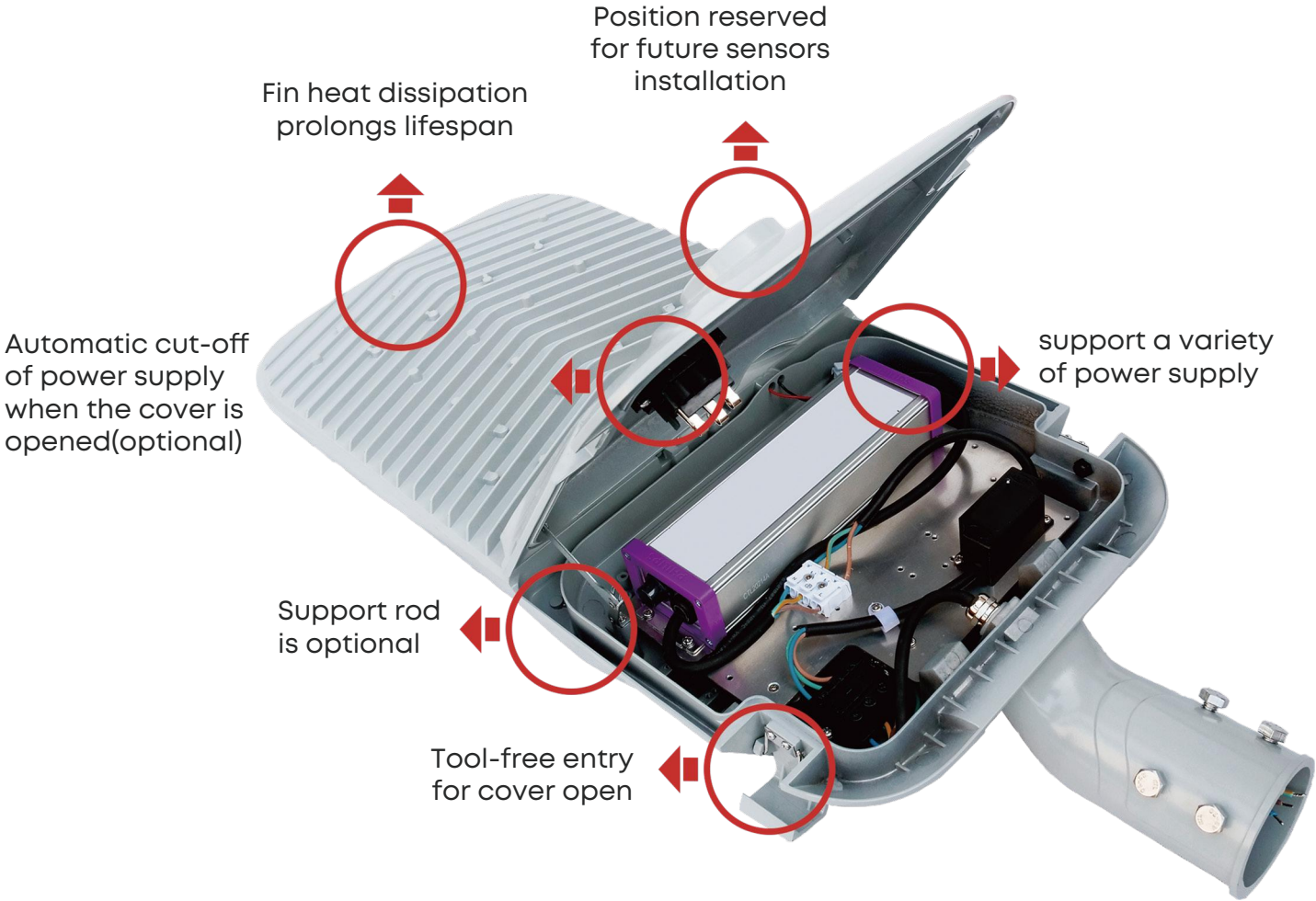
- 
• Auto Cut-off
 Avoid damage to electrical equipment and protect personal safety.
- 
• Convenient Upgrade
 Reserve sensor installation port and smart control ready for easy upgrading.
- 
• Efficient Heat Dissipation
 Rear fin-shaped heat sink design, fast convection, excellent heat dissipation, low temperature.
- 
• Toolless Entry
 Toolless opening and replacement of components for maintenance
- 
• Exceptional Impact Resistance
 Polycarbonate lens with 4mm thick tempered glass for IK08 impact rating and 3G shake-proof.
- 
• Professional Optic Design
 Multiple light distribution options available, professional simulation design.
- 
• Environmental Concept
 ULOR=0, No Uplight Pollution.
- 
• Multiple Accessories and Options
 Supports accessories and options such as Photocell (Nema), 3pin/7pin bases, ZigBee, LoRa, Dali, Casambi, NB-IoT control, and more.

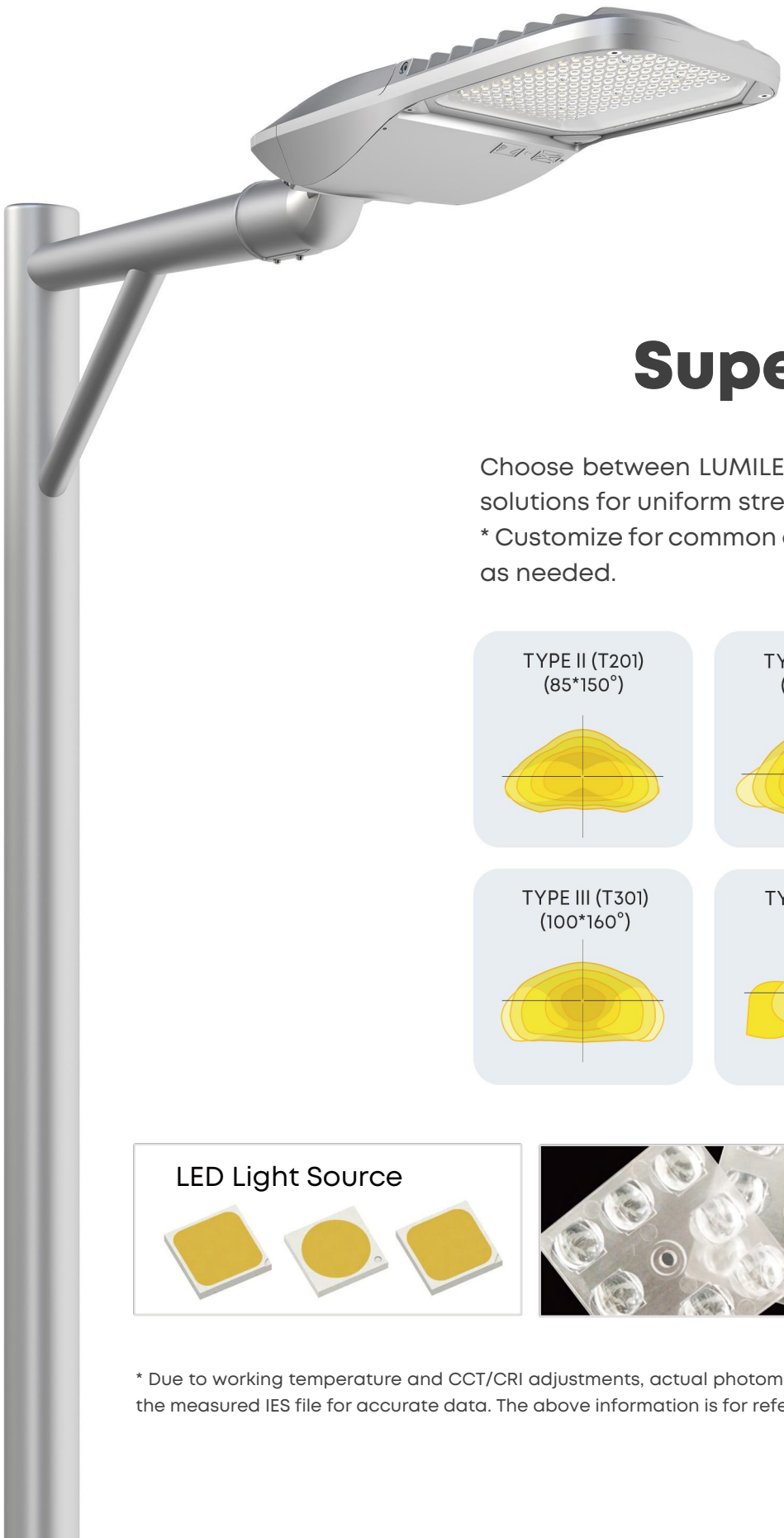


Ingenious Design

For the sake of adaptability

The streamlined design of IL02 series street lights improves wind resistance. Its user-friendly maintenance and replacement design cut fixture maintenance costs, reducing both personnel and financial investments significantly.





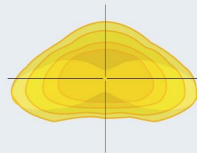
Superior

Animals & Insects Friendly
2700K-3000K
CCT available

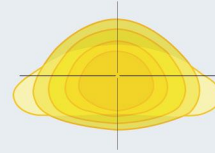
Choose between LUMILEDS or Seoul LEDs in 3030 or 5050 solutions for uniform street light distribution.

* Customize for common or private mode light distribution as needed.

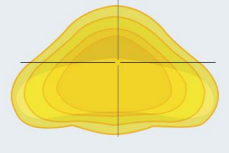
TYPE II (T201)
(85°*150°)



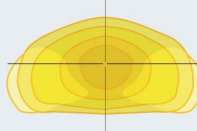
TYPE II (T211)
(110°*155°)



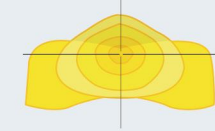
TYPE II (T221)
(75°*150°)



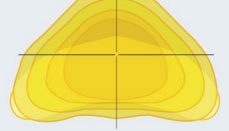
TYPE III (T301)
(100°*160°)



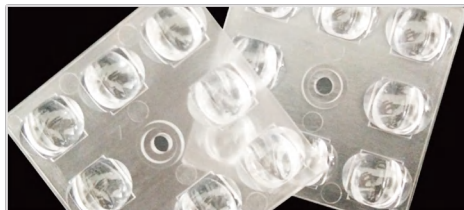
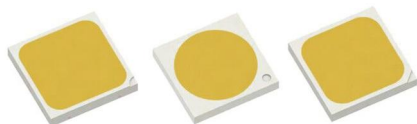
TYPE III (T311)
(90°*150°)



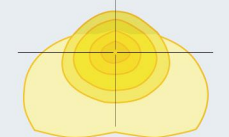
TYPE III (T321)
(100°*145°)



LED Light Source



TYPE IV (T411)
(115°*145°)



* Due to working temperature and CCT/CRI adjustments, actual photometric values may vary slightly. Please consult the measured IES file for accurate data. The above information is for reference purposes only.

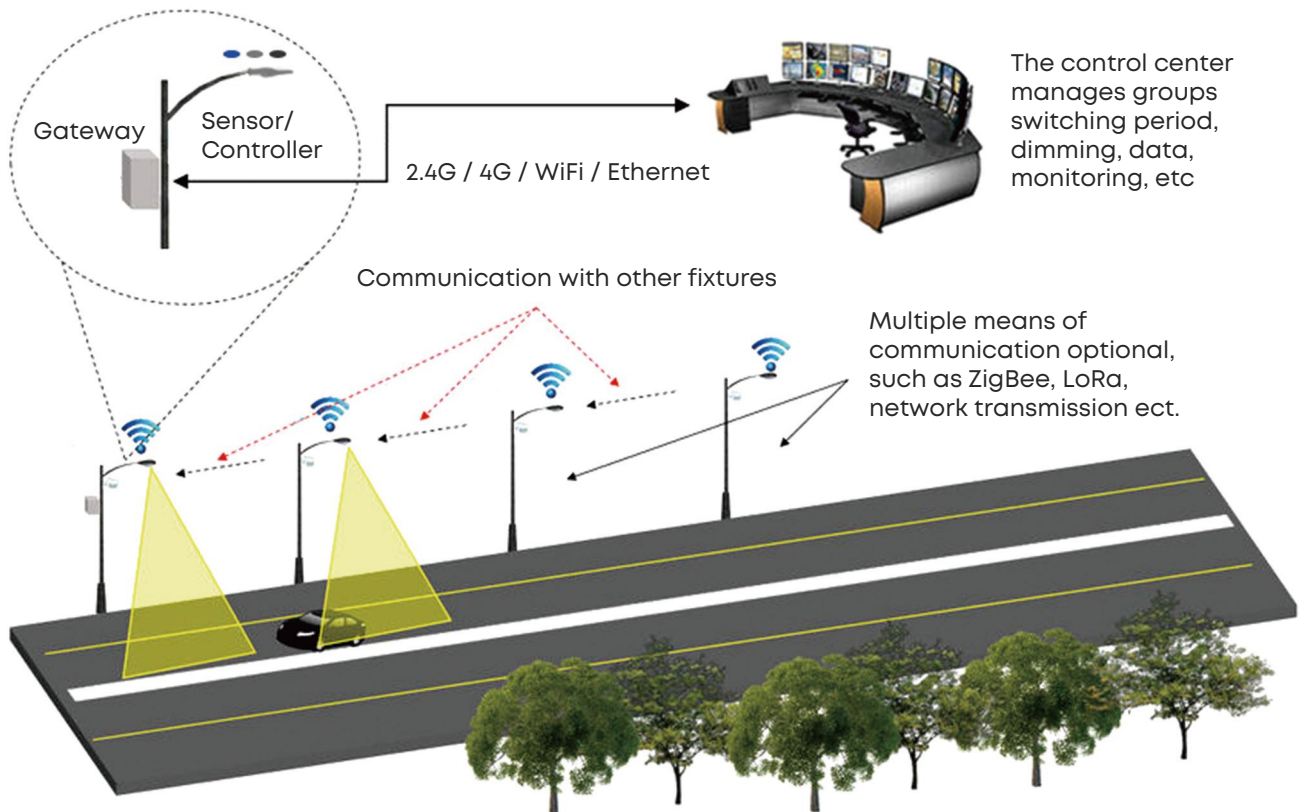
Smart Control Ready For Efficient Management



IL02 is **connected-ready** and can operate with various sensors and control systems.

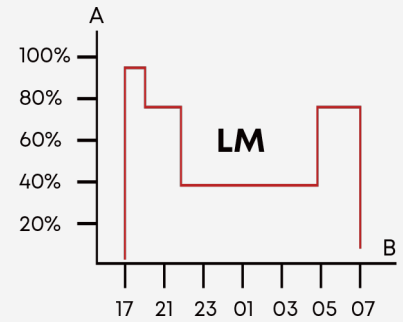


Typical IoT **Demonstration**



Custom Dimming Profile

Smart luminaire drivers enable the programming of complex dimming profiles without extra wiring. Customized time intervals and light levels contribute to maximum energy savings, maintaining required lighting levels and uniformity throughout the night.



Daylight Sensor / Photocell

Photocell or daylight sensors switch the luminaire on as soon natural light falls to a certain level. It can be programmed to switch on during a storm, on a cloudy day (in critical areas) or only at nightfall so as to provide safety and comfort in public spaces.

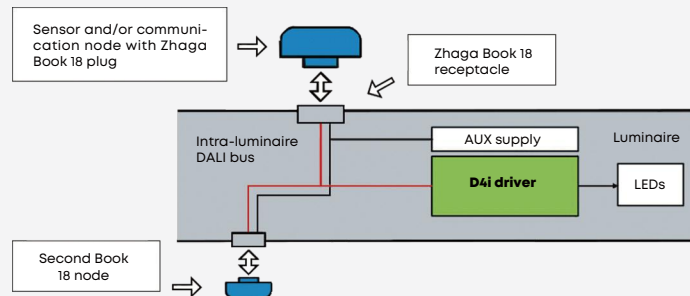


Smart standards. Smarter lighting.

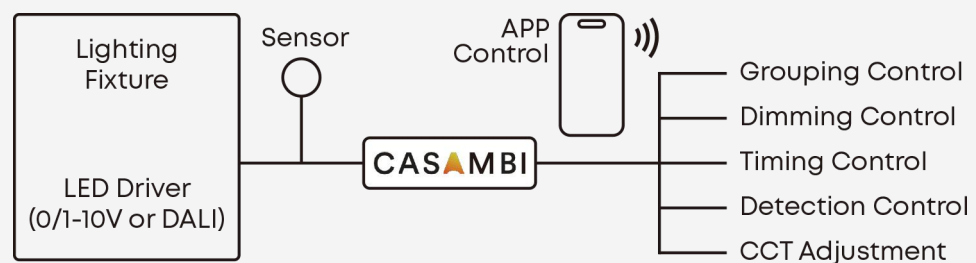
LoRaWAN® Luminaire Controller Zhaga is a wireless device for remote LED luminaire control with a Zhaga-compliant connector and DALI interface. It's compatible with LoRaWAN®, NB-IoT, and LTE-M networks, featuring a modern, compact design suitable for various street lighting modules.

LoRaWAN® Luminaire Controller NEMA is designed for LED luminaires with an ANSI C136.41 NEMA receptacle. It controls the luminaire through DALI or 0-10V analog interfaces and provides a secure power connection with three robust twist lock contacts.

Outdoor Luminaire with Zhaga Receptacles (optional)



Casambi Ready (optional)



Application Reference

- Road & highway lighting
- Urban road & street lighting
- Residential area lighting
- Parks & perimeter lighting
- Parking lot lighting
- Riverside & jogging track



Comparison of Project Remodeling



[Over 5,000,000+ Luminaires]
Installed Worldwide

Parameter Table

Electrical Data							
Model	AOK-20WiL02S	AOK-30WiL02S	AOK-40WiL02S	AOK-50WiL02S	AOK-60WiL02S	AOK-70WiL02S	
Input voltage	100-277VAC						
THD (220Vac)	≤10%						
PF(220Vac)	≥0.95						
Driver	Inventronics / Sosen /Class 1 .OSRAM/Philips/MOSO Class 1/ Class 2, EU						
Operating temperature	-40°C to 55°C (-40 °F to 131 °F)						
Control Option	DALI, 1-10V/ PWM / timer dimming, Nema, Presence detection sensor. Dim-to-Off with standby power ≤ 0.5W.						
Surge Protection	10kV / 20kV optional						
Photometric Data							
Efficacy(lm/W) (CRI 70Ra, 5000K) (Std Dev ±5%)	T201-12in1 (85°150°)	150lm/W	141lm/W	150lm/W	145lm/W	141lm/W	134lm/W
	T211-12in1 (110°155°)	150lm/W	141lm/W	150lm/W	145lm/W	141lm/W	134lm/W
	T221-16in1 (75°150°)	154lm/W	148lm/W	154lm/W	151lm/W	148lm/W	139lm/W
	T301-12in1 (100°160°)	145lm/W	136lm/W	145lm/W	140lm/W	136lm/W	130lm/W
	T311-12in1 (90°150°)	150lm/W	141lm/W	150lm/W	145lm/W	141lm/W	134lm/W
	T321-16in1 (100°145°)	154lm/W	148lm/W	154lm/W	151lm/W	148lm/W	139lm/W
	T411-12in1 (115°145°)	150lm/W	141lm/W	150lm/W	145lm/W	141lm/W	134lm/W
Luminous flux (lm) (CRI 70Ra, 5000K) (Std Dev ±5%)	T201-12in1 (85°150°)	3000lm	4230lm	6000lm	7250lm	8460lm	9380lm
	T211-12in1 (110°155°)	3000lm	4230lm	6000lm	7250lm	8460lm	9380lm
	T221-16in1 (75°150°)	3080lm	4440lm	6160lm	7550lm	8880lm	9730lm
	T301-12in1 (100°160°)	2900lm	4080lm	5800lm	7000lm	8160lm	9380lm
	T311-12in1 (90°150°)	3000lm	4230lm	6000lm	7250lm	8460lm	9100lm
	T321-16in1 (100°145°)	3080lm	4440lm	6160lm	7550lm	8880lm	9730lm
	T411-12in1 (115°145°)	3000lm	4230lm	6000lm	7250lm	8460lm	9380lm
ULR	= 0%, @ Luminaire inclination 0°						
CCT	2700K, 3000K, 4000K, 5000K, 5700K, 6500K						
CRI	70Ra, 80Ra, 90Ra optional						
Beam angle	Type-II (85°150°, 110°155°, 75°150°) / Type III (100°160°, 90°150°, 100°145°) / Type IV (115°145°)						
LED Manufacturer	LUMILEDS/Seoul						
LED model	Lumileds 3030, 5050/Seoul3030, 5050						
Lens	Polycarbonate+tempered glass(4 mm thick)						
Mechanical Data							
IP/IK	IP66/IK08, according to standard EN 60529 and EN 62262						
Vibration resistance	3G, conform to standard IEC 68-2-6.						
SCx	Front: 0.0152 m²; Side: 0.0272 m²						
Materials	Heavy-duty die-cast aluminum (EN AC-46100)						
Painting	Black, Silver, Gray, Customized color						
Surface treatment	Anti-UV thermosetting polyester / 80 micron epoxy primer + Anti-UV thermosetting polyester (for extremely corrosive environments).						
Cable	Pre-wired with a roughly 50 cm cable (Other lengths on request)						
Mounting	Side Entry/Post Top						
Others							
Lifespan	L70 > 100000hrs, @Ta 25°C						
Warranty	5 years in standard, 10 years optional						
Product Size	512*179*118mm / 20.2*7.0*4.6 inches						
Carton size	570*230*170mm / 22.4*9.1*6.7 inches						
Net Weight	2.9kg / 6.39 lbs						
Gross weight	3.7kg / 8.16 lbs						
Recommend installation height	General 4-12m, based on actual project requirements						
Accessories(standard)	Circuit breaker, 10KV SPD, breather vent						
Accessories(optional)	Photocell (with Nema socket)						
Application field	Road & highway, urban road & street, residential area, parks, parking lot, riverside & jogging track						

Important note!

The provided information is solely for reference; the official measurement report holds higher authority.

Parameter Table

Electrical Data											
Model	AOK-20WIL02	AOK-30WIL02	AOK-40WIL02	AOK-50WIL02	AOK-60WIL02	AOK-70WIL02	AOK-80WIL02	AOK-90WIL02	AOK-100WIL02	AOK-120WIL02	
Input Voltage	100-277VAC						100-277VAC				
THD (220Vac)	≤10%						≤10%				
PF(220Vac)	≥0.95						≥0.95				
Driver	Inventronics / Sosen / Philips. Class 1/ Class 2, EU										
Operating Temperature	-40°C to 55°C (-40 °F to 131 °F)										
Storage Temperature	-40°C to 80°C (-40 °F to 176 °F)										
Control Option	DALI, 1-10V/ PWM / timer dimming, Nema, Presence detection sensor. Dim-to-Off with standby power ≤ 0.5W.										
Surge Protection	10kV / 20kV optional										
Photometric Data											
Efficacy(lm/W) (CRI 70Ra, 5000K) (Std Dev ±5%)	T201-12in1 (85°150°)	156lm/W	155lm/W	150lm/W	148lm/W	146lm/W	144lm/W	144lm/W	143lm/W	141lm/W	137lm/W
	T211-12in1 (110°155°)	155lm/W	154lm/W	147lm/W	145lm/W	143lm/W	141lm/W	143lm/W	142lm/W	140lm/W	136lm/W
	T221-16in1 (75°150°)	158lm/W	156lm/W	154lm/W	152lm/W	150lm/W	148lm/W	154lm/W	152lm/W	150lm/W	145lm/W
	T301-12in1 (100°160°)	152lm/W	153lm/W	145lm/W	143lm/W	141lm/W	139lm/W	141lm/W	140lm/W	138lm/W	134lm/W
	T311-12in1 (90°150°)	155lm/W	154lm/W	147lm/W	145lm/W	143lm/W	141lm/W	143lm/W	142lm/W	140lm/W	136lm/W
	T321-16in1 (100°145°)	158lm/W	156lm/W	154lm/W	152lm/W	150lm/W	148lm/W	154lm/W	152lm/W	150lm/W	145lm/W
	T411-12in1 (115°145°)	155lm/W	154lm/W	147lm/W	145lm/W	143lm/W	141lm/W	143lm/W	142lm/W	140lm/W	136lm/W
Luminous flux (lm) (CRI 70Ra, 5000K) (Std Dev ±5%)	T201-12in1 (85°150°)	3120lm	4650lm	6000lm	7400lm	8760lm	10080lm	11520lm	12870lm	14100lm	16440lm
	T211-12in1 (110°155°)	3100lm	4620lm	5880lm	7250lm	8580lm	9870lm	11440lm	12780lm	14000lm	16320lm
	T221-16in1 (75°150°)	3160lm	4680lm	6160lm	7600lm	9000lm	10360lm	12320lm	13680lm	15000lm	17400lm
	T301-12in1 (100°160°)	3040lm	4590lm	5800lm	7150lm	8460lm	9730lm	11280lm	12600lm	13800lm	16080lm
	T311-12in1 (90°150°)	3100lm	4620lm	5880lm	7250lm	8580lm	9870lm	11440lm	12780lm	14000lm	16320lm
	T321-16in1 (100°145°)	3160lm	4680lm	6160lm	7600lm	9000lm	10360lm	12320lm	13680lm	15000lm	17400lm
	T411-12in1 (115°145°)	3100lm	4620lm	5880lm	7250lm	8580lm	9870lm	11440lm	12780lm	14000lm	16320lm
ULR	= 0%, @ Luminaire inclination 0°										
CCT	2700K, 3000K, 4000K, 5000K, 5700K, 6500K										
CRI	70Ra, 80Ra, 90Ra optional										
Beam Angle	Type-II (85°150°, 110°155°, 75°150°) / Type III (100°160°, 90°150°, 100°145°) / Type IV (115°145°)										
LED Manufacturer	LUMILEDS/Seoul										
LED Model	Lumileds 3030, 5050/Seoul3030, 5050										
Lens	Polycarbonate+tempered glass(5 mm thick)						Polycarbonate+tempered glass(4 mm thick)				
Mechanical Data											
IP/IK	IP66/IK09, according to standard EN 60529 and EN 62262						IP66/IK08, according to standard EN 60529 and EN 62262				
Vibration Resistance	3G, conform to standard IEC 68-2-6.										
SCx	Front: 0.014 m², Side: 0.0214 m²						Front: 0.0219 m², Side: 0.035 m²				
Materials	Heavy-duty die-cast aluminum (EN AC-46100)										
Painting	Black, Silver, Gray, Customized color										
Surface Treatment	Anti-UV thermosetting polyester / 80 micron epoxy primer + Anti-UV thermosetting polyester (for extremely corrosive environments).										
Cable	Pre-wired with a roughly 50 cm cable (Other lengths on request)										
Mounting	Side Entry						Side Entry/Post Top				
Others											
Lifespan	L70 > 100000hrs, @Ta 25°C										
Warranty	5 years in standard, 10 years optional										
Product Size	470*230*79mm / 18.5*9.1*3.1 inches						25.4*9.4*5.4 inches / 646*240*137mm				
Carton Size	520*270*135mm / 20.5*10.6*5.3 inches						28.1*11.4*7.9 inches / 715*290*200mm				
Net Weight	3.1kg / 6.83 lbs						5.4kg / 11.90 lbs				
Gross Weight	4.0kg / 8.82 lbs						6.1kg / 13.45 lbs				
Recommend Installation Height	General 4-12m, based on actual project requirements										
Accessories(standard)	10KV SPD, Breather vent						Lid support, Circuit breaker, 10KV SPD, Breather vent				
Accessories(optional)	Photocell (with Nema socket)										
Application Field	Road & highway, urban road & street, residential area, parks, parking lot, riverside & jogging track										
Important Note!	The provided information is solely for reference; the official measurement report holds higher authority.										

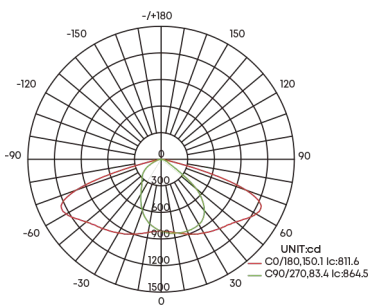
Parameter Table

Electrical Data											
Model	AOK-130WIL02	AOK-140WIL02	AOK-150WIL02	AOK-160WIL02	AOK-170WIL02	AOK-180WIL02	AOK-200WIL02	AOK-220WIL02	AOK-230WIL02	AOK-300WIL02	
Input Voltage	100-277VAC						100-277VAC			100-277VAC	
THD (220Vac)	≤10%						≤10%			≤10%	
PF(220Vac)	≥0.95						≥0.96			≥0.95	
Driver	Inventronics / Sosen / Philips. Class 1/ Class 2, EU										
Operating Temperature	-40°C to 55°C (-40 °F to 131 °F)						-40°C to 50°C (-40 °F to 122 °F)			-40°C to 50°C (-40 °F to 122 °F)	
Storage Temperature	-40°C to 80°C (-40 °F to 176 °F)										
Control Option	DALI, 1-10V/ PWM / timer dimming, Nema, Presence detection sensor. Dim-to-Off with standby power ≤ 0.5W.										
Surge Protection	10kV / 20kV optional										
Photometric Data											
Efficacy(lm/W) (CRI 70Ra, 5000K) (Std Dev ±5%)	T201-12in1 (85°150°)	135lm/W	130lm/W	128lm/W	145lm/W	143lm/W	141lm/W	137lm/W	141lm/W	139lm/W	132lm/W
	T211-12in1 (110°155°)	134lm/W	129lm/W	127lm/W	144lm/W	142lm/W	140lm/W	136lm/W	140lm/W	138lm/W	132lm/W
	T221-16in1 (75°150°)	143lm/W	141lm/W	139lm/W	152lm/W	150lm/W	148lm/W	145lm/W	148lm/W	146lm/W	140lm/W
	T301-12in1 (100°160°)	132lm/W	127lm/W	125lm/W	141lm/W	139lm/W	137lm/W	133lm/W	137lm/W	135lm/W	130lm/W
	T311-12in1 (90°150°)	134lm/W	129lm/W	127lm/W	144lm/W	142lm/W	140lm/W	136lm/W	140lm/W	138lm/W	131lm/W
	T321-16in1 (100°145°)	143lm/W	141lm/W	139lm/W	152lm/W	150lm/W	148lm/W	145lm/W	148lm/W	146lm/W	140lm/W
Luminous flux (lm) (CRI 70Ra, 5000K) (Std Dev ±5%)	T411-12in1 (115°145°)	134lm/W	129lm/W	127lm/W	144lm/W	142lm/W	140lm/W	136lm/W	140lm/W	138lm/W	132lm/W
	T201-12in1 (85°150°)	17550lm	18200lm	19200lm	23200lm	24310lm	25380lm	27400lm	31020lm	31970lm	39600lm
	T211-12in1 (110°155°)	17420lm	18060lm	19050lm	23040lm	24140lm	25200lm	27200lm	30800lm	31740lm	39600lm
	T221-16in1 (75°150°)	18590lm	19740lm	20850lm	24320lm	25500lm	26640lm	29000lm	32560lm	33580lm	42000lm
	T301-12in1 (100°160°)	17160lm	17780lm	18750lm	22560lm	23630lm	24660lm	26600lm	30140lm	31050lm	39000lm
	T311-12in1 (90°150°)	17420lm	18060lm	19050lm	23040lm	24140lm	25200lm	27200lm	30800lm	31740lm	39300lm
ULR	T321-16in1 (100°145°)	18590lm	19740lm	20850lm	24320lm	25500lm	26640lm	29000lm	32560lm	33580lm	42000lm
	T411-12in1 (115°145°)	17420lm	18060lm	19050lm	23040lm	24140lm	25200lm	27200lm	30800lm	31740lm	39600lm
		= 0%, @ Luminaire inclination 0°									
CCT	2700K, 3000K, 4000K, 5000K, 5700K, 6500K										
CRI	70Ra, 80Ra, 90Ra optional										
Beam Angle	Type-II (85°150°, 110°155°, 75°150°) / Type III (100°160°, 90°150°, 100°145°) / Type IV (115°145°)										
LED Manufacturer	LUMILEDS/Seoul										
LED Model	Lumileds 3030, 5050/Seoul3030, 5050										
Lens	Polycarbonate+tempered glass(4 mm thick)										
Mechanical Data											
IP/IK	IP66/IK08, according to standard EN 60529 and EN 62262										
Vibration Resistance	3G, conform to standard IEC 68-2-6.										
SCx	Front: 0.0263 m², Side: 0.0363 m²						Front: 0.0285 m², Side: 0.0412 m²			Front: 0.0291 m², Side: 0.433 m²	
Materials	Heavy-duty die-cast aluminum (EN AC-46100)										
Painting	Black, Silver, Gray, Customized color										
Surface Treatment	Anti-UV thermosetting polyester / 80 micron epoxy primer + Anti-UV thermosetting polyester (for extremely corrosive environments).										
Cable	Pre-wired with a roughly 50 cm cable (Other lengths on request)										
Mounting	Side Entry/Post Top										
Others											
Lifespan	L70 > 100000hrs, @Ta 25°C										
Warranty	5 years in standard, 10 years optional										
Product Size	676*290*137mm / 26.6*11.4*5.4 inches						756*308*138mm / 29.8*12.1*5.4 inches			756*308*138mm / 29.8*12.1*5.4 inches	
Carton Size	745*340*200mm / 29.3*13.4*7.9 inches						825*360*200mm / 32.5*14.2*7.9 inches			825*360*200mm / 32.5*14.2*7.9 inches	
Net Weight	6.0kg / 13.23 lbs						6.8kg / 14.99 lbs			8.2kg / 18.08 lbs	
Gross Weight	7.2kg / 15.87 lbs						8.3kg / 18.30 lbs			9.7kg / 21.38 lbs	
Recommend Installation Height	General 4-12m, based on actual project requirements										
Accessories(standard)	Lid support, Circuit breaker, 10KV SPD, Breather vent										
Accessories(optional)	Photocell (with Nema socket)										
Application Field	Road & highway, urban road & street, residential area, parks, parking lot, riverside & jogging track										
Important Note!	The provided information is solely for reference; the official measurement report holds higher authority.										

Ordering Information

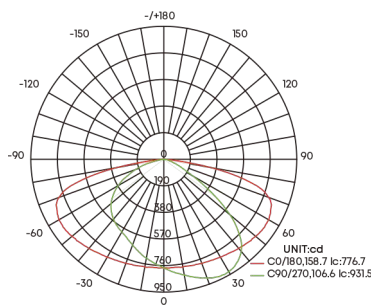
AOK							
WATTS	VOLTAGE	LED CHIPS	TYPE OF SENSOR	CCT&CRI	DISTRIBUTION	HOUSING	OPTION
20WiL02(S)	NV=100-277V	L3=LUMILED 3030	00=Without Sensor	2770=2700K 70CRI	T201 (85*150°)	BK=Black	10KV SPD
30WiL02(S)		L5=LUMILED 5050	PH=Photocell	3070=3000K 70CRI	T211 (110*155°)	SI=Silver	20KV SPD
40WiL02(S)		S3=Seoul 3030	DV=Dimmable	4070=4000K 70CRI	T221 (75*150°)	GR=Gray	
50WiL02(S)		S5=Seoul 5050		5070=5000K 70CRI	T301 (100*160°)	Custom request	
60WiL02(S)				5770=5700K 70CRI	T311 (90*150°)		
70WiL02(S)				6570=6500K 70CRI	T321 (100*145°)		
80WiL02				2780=2700K 80CRI	T411 (115*145°)		
90WiL02				3080=3000K 80CRI			
100WiL02				4080=4000K 80CRI			
120WiL02				5080=5000K 80CRI			
130WiL02				5780=5700K 80CRI			
140WiL02				6580=6500K 80CRI			
150WiL02							
160WiL02							
170WiL02							
180WiL02							
200WiL02							
220WiL02							
230WiL02							
300WiL02							

Photometry



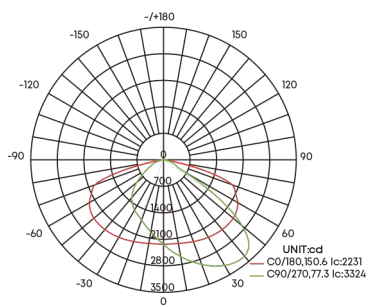
AVERAGE BEAM ANGLE(50%):116.7 DEG

T201 (85*150°)



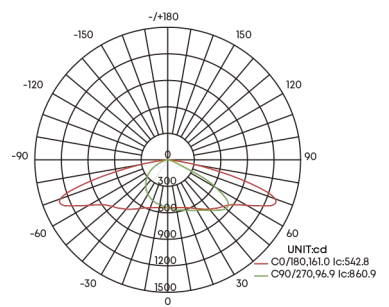
AVERAGE BEAM ANGLE(50%):132.6 DEG

T211 (110*155°)



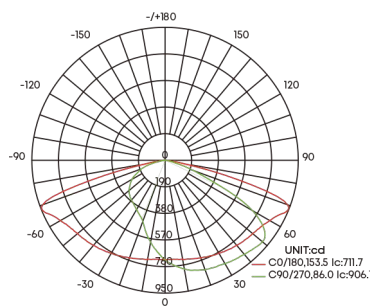
AVERAGE BEAM ANGLE(50%):113.9 DEG

T221 (75*150°)



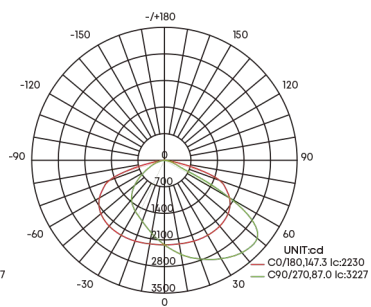
AVERAGE BEAM ANGLE(50%):129.0 DEG

T301 (100*160°)



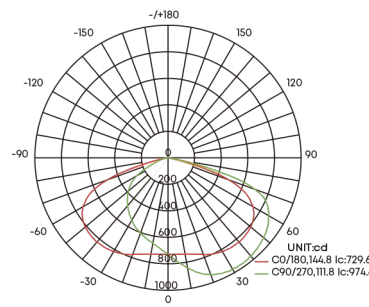
AVERAGE BEAM ANGLE(50%):119.8 DEG

T311 (90*150°)



AVERAGE BEAM ANGLE(50%):117.2 DEG

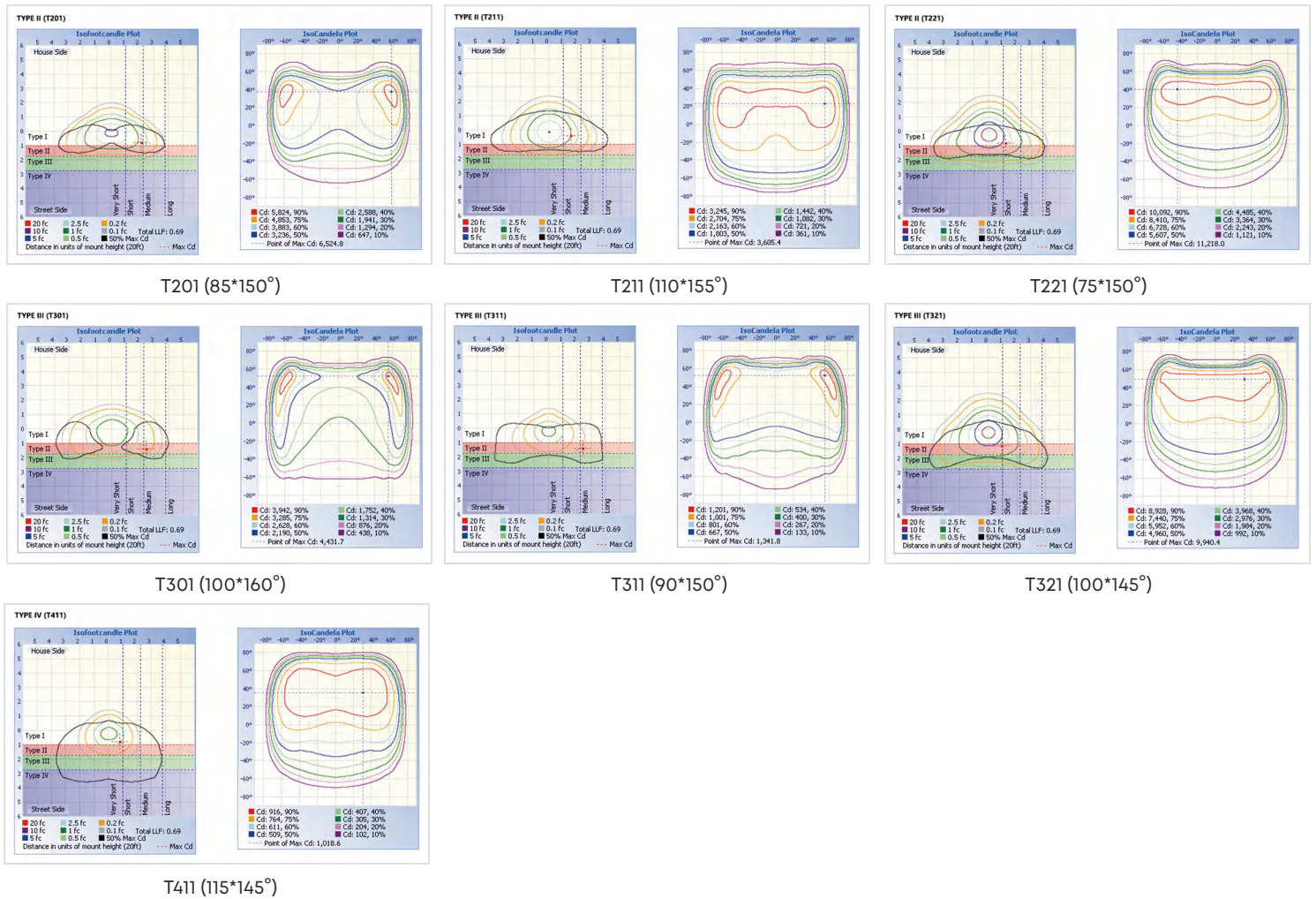
T321 (100*145°)



AVERAGE BEAM ANGLE(50%):128.3 DEG

T411 (115*145°)

Illuminance Diagram



Accessories

Mounting Options



Post Top



Side Entry

Control Options



Photocell



Shorting Cap



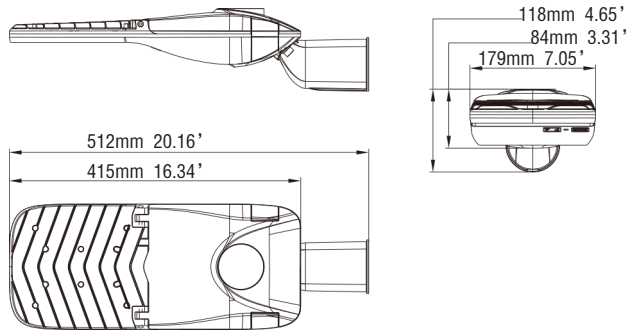
3 Pin/7 Pin Receptacle



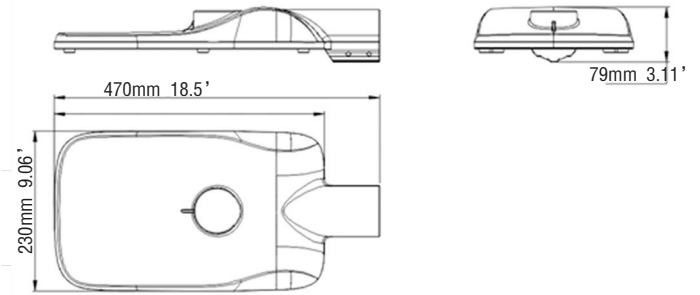
*As the products are upgraded, the accessories may differ from those described in the pictures. Please consult with our sales team for updated details and order separately.

Fixture Dimensions

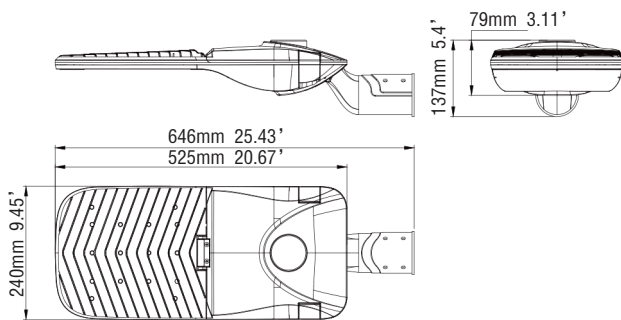
IL02S (20W-70W)



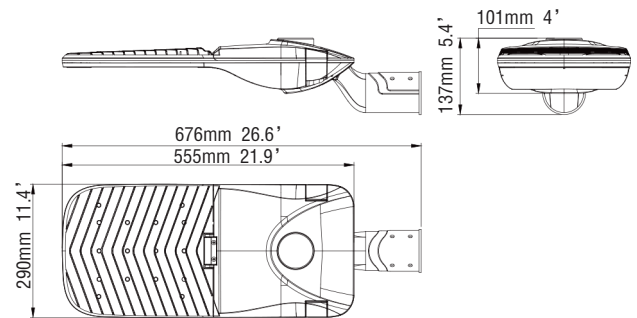
(20W-70W)



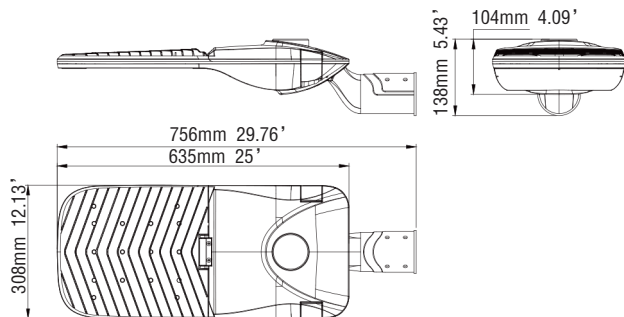
(80W-120W)



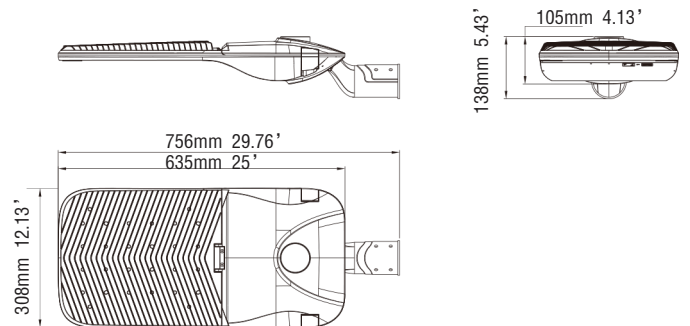
(130W-180W)



(200W-230W)



(300W)





Quality, Honesty, Service and Innovation

Innovative & Tailored Lighting Solutions for **Success**



WARRANTY

5 Year Limited Warranty,
10 Year Preferred Warranty.

Please consult with our sales for detailed agreement.

wally@aokledlight.com

www.aokledlight.com

+1 626-986-4050 (US)

+86 755 2357 9148 (CN)

Manufacturing:

Shenzhen: Building 1 & 4, St. George's Science and Technology Industrial Park, Shajing Street,
Shenzhen, China, 518124.

Huizhou: 4th floor, Building 2, Yinghui Electronic Science and Tech Park, No. 6 Dongsheng North Rd,
Chenjiang Street, Zhongkai High-tech Zone, Huizhou, China. 516006.

Fuzhou HQ: Room 301, Yujing Business Center Zone 1, No. 12 Baihuazhou road, Cangshan district,
Fuzhou, China, 350007

NorthAmerica HQ: 17531 Railroad St, Suite F, City of industry CA91748 USA

Copyright ©2024 AOK LED LIGHT CO., LTD. All Right Reserved.