

200+ Patent Certificates
\$1,000,000+ Annual Energy Saving
20,000+ Projects Successfully Installed



HIGH LUMEN
OUTPUT UP TO **220** lm/W

ILG Series LED Street Light

Power: 20W - 135W



Innovative & Tailored
Lighting Solutions for **Success**
www.aokledlight.com

Introduction of **ILG** Series



For others & details
please request



CCT
adjustable
optional

Power
adjustable
optional



WARRANTY

5 Year Limited Warranty,
10 Year Preferred Warranty.
Please consult with our sales for detailed agreement.

The ILG series LED street light is a budget-friendly lighting solution with a refined, compact design that delivers great cost-effectiveness, giving you a competitive advantage in project tenders.

- **Efficient Cooling:** An aluminum alloy casing paired with an integrated die-cast heat sink ensures effective cooling of the light source, promoting stability and a longer lifespan.
- **Advanced Power Supply:** Equipped with a high-stability isolated constant current power supply, it provides over-temperature protection, operates across a wide voltage range, maintains a high power factor, and excels in heat dissipation.
- **Control Options:** Includes a Surge Protective Device, Daylight Sensor Control, and 1-10V Dimming for enhanced functionality and adaptability.

Features for ILG Series

• High Lumen Output

High-performance LEDs efficacy >220lm/W

• Multiple Lighting Solution

Standard or high efficacy, CCT & power adjustable available.

• Compact Design

The compact design of the luminaire makes it more robust and more resistant to impact.

• Convenient Upgrade

Reserved controller base installation port for convenient upgrades.

• Self-Clean Cover

Self-cleaning smooth back cover design.

• Light Weight

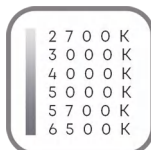
Lightweight & economically practical.

Animals & Insects Friendly

2200K-2700K
CCT available



No photo-biological risk (no risk associated with infrared, blue light, or UV radiation), in compliance with **EN 62471:2008**.



wally@okledlight.com
+1 626-986-4050 (US)
+86 755 2357 9148 (CN)

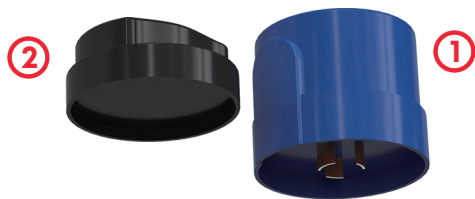
©2025 AOK Industrial Company Limited. All Right Reserved.



Compact Design

For the sake of adaptability

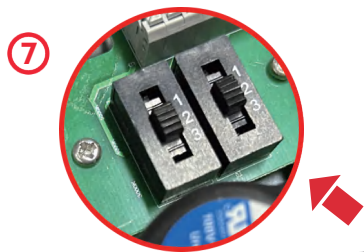
- 1. Photocell
- 2. Shorting Cap
- 3. Nema Socket



- 4. Zhaga Socket
- 5. Breather Vent
- 6. PIR or Microwave Sensor



- 7. CCT&Power Switch
- 8. SPD 10KV/20KV



- 9. M16/M20 waterproof joint



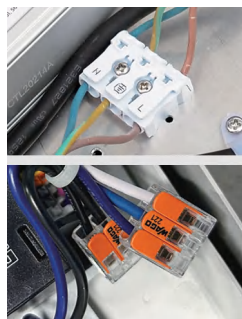
· High-efficient LED sources and optics design, economized.



· High quality silicone gasket, improved sealing performance.



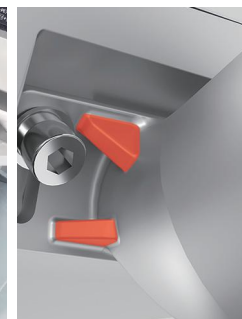
· Adjustable bracket ± 15 degrees.



· High-quality terminal wiring ensures reliability and safety. (Optional)



· High-quality AC power interface, safe and reliable. (Optional)



· Reinforced bracket design, increased safety.

Application Reference

- Road & highway lighting
- Urban road & street lighting
- Residential area lighting
- Parks & perimeter lighting
- Parking lot lighting
- Riverside & jogging track



Parameter Table

Electrical Data						
Model	AOK-iLG(S)-(20-60W)					
Power	20W	30W	40W	50W	60W	
Input Voltage	100-277VAC / 220-240VAC					
THD (220Vac)	≤10%					
PF (220Vac)	≥0.95					
Driver	Class I (MOSO/SOSEN/Inventronics/DONE), Class II (DONE)					
Operating Temperature	-40°C to 50°C (-40 °F to 122 °F)					
Control Option	DALI, 0/1-10V, PWM, timer dimming					
Surge Protection	10kV / 20kV optional					
Photometric Data						
Efficacy(lm/W) (CRI 70Ra, 5000K) (Std Dev ±5%)-Normal	T201(85°150°) T211(80°150°)	157lm/W	153lm/W	147lm/W	143lm/W	140lm/W
Luminous Flux (lm) (CRI 70Ra, 5000K) (Std Dev ±5%)-Normal	T201(85°150°) T211(80°150°)	3280lm	4830lm	6080lm	7250lm	8400lm
Efficacy(lm/W) (CRI 70Ra, 5000K) (Std Dev ±5%)-Performance	T201(85°150°) T211(80°150°)	167lm/W	163lm/W	157lm/W	153lm/W	150lm/W
Luminous Flux (lm) (CRI 70Ra, 5000K) (Std Dev ±5%)-Performance	T201(85°150°) T211(80°150°)	3340lm	4890lm	6280lm	7650lm	9000lm
Efficacy(lm/W) (CRI 70Ra, 5000K) (Std Dev ±5%)-5050-Pro	T202(75°150°)	195lm/W	193lm/W	192lm/W	191lm/W	188lm/W
Luminous Flux (lm) (CRI 70Ra, 5000K) (Std Dev ±5%)-5050-Pro	T202(75°150°)	3900lm	5790lm	7680lm	9550lm	11280lm
Efficacy(lm/W) (CRI 70Ra, 5000K) (Std Dev ±5%)-5050-Max	T202(75°150°)	212lm/W	210lm/W	209lm/W	208lm/W	205lm/W
Luminous Flux (lm) (CRI 70Ra, 5000K) (Std Dev ±5%)-5050-Max	T202(75°150°)	4240lm	6300lm	8360lm	10400lm	12300lm
ULR	= 0%, @ Luminaire inclination 0°					
CCT	2700K, 3000K, 4000K, 5000K, 5700K, 6500K					
CRI	70Ra, 80Ra, 90Ra optional					
Beam Angle	T201(85°150°), T202(75°150°), T211(80°150°), Customization acceptable					
LED Manufacturer	Other brands, customization acceptable, please request					
LED Model	2835 / 3030 / 5050					
Lens	Polycarbonate					
Mechanical Data						
IP/IK	Optical systems maintain at IP66, IK10, according to standard EN 60529 and EN 62262					
Vibration Resistance	5G rated, conform to standard IEC 68-2-6.					
SCx	0.064m² (top view), 0.02m² (side view)					
Materials	Heavy-duty die-cast aluminum (ADC12)					
Painting	RAL 9005 Black, RAL 9006 Silver, RAL 9007gray, Custom request					
Surface Treatment	Anti-UV thermosetting polyester / 80 micron epoxy primer + Anti-UV thermosetting polyester (for extremely corrosive environments).					
Cable	Pre-wired with a 30 cm cable (Other lengths on request)					
Mounting	Side Entry/Post Top, (Φ42~60mm pole), custom request					
Others						
Lifespan	L70 > 100000hrs, @Ta 25°C					
Warranty	5 years (Warranty extension up to 10 years on request)					
Certification	ENEC, CE, RoHS, For other certificates please request					
Product Size	479*159*89mm/18.86*6.23*3.5"					
Net Weight	2.5kg/5.5lbs					
Carton Size & Gross Weight (standard)	500*170*120mm/19.69*6.69*4.72", 2.8KG/6.17lbs					
Carton Size & Gross Weight (optional)	530*205*135mm/20.87*8.07*5.31", 3KG/6.61lbs					
Recommend Installation Height	General 4-6m, based on actual project requirements					
Standard Accessories	None					
Optional Accessories	10kV/20kV SPD, breather vent, NEMA socket, Photocell, Zhaga, PIR or Microwave sensor, M20 waterproof joint, CCT & Power adjustable optional					

Important Note!

The provided parameters are solely for design reference; the official measurement report holds higher and final authority.

Parameter Table

Electrical Data								
Model	AOK-iLG(M)-(70-135W)							
Power	70W	80W	90W	100W	110W	120W	135W	
Input Voltage	100-277VAC / 220-240VAC							
THD (220Vac)	≤10%							
PF (220Vac)	≥0.95							
Driver	Class I (MOSO/SOSEN/Inventronics)							
Operating Temperature	-40°C to 50°C (-40 °F to 122 °F)						-40°C to 45°C (-40 °F to 113 °F)	
Control Option	DALI, 0/1-10V, PWM, timer dimming							
Surge Protection	10kV / 20kV optional							
Photometric Data								
Efficacy(lm/W) (CRI 70Ra, 5000K) (Std Dev ±5%)-Normal	T201(85°*150°)	153lm/W	150lm/W	148lm/W	146lm/W	144lm/W	142lm/W	140lm/W
Luminous Flux (lm) (CRI 70Ra, 5000K) (Std Dev ±5%)-Normal	T201(85°*150°)	10710lm	12000lm	13320lm	14600lm	15840lm	17040lm	18900lm
Efficacy(lm/W) (CRI 70Ra, 5000K) (Std Dev ±5%)-Performance	T201(85°*150°)	163lm/W	160lm/W	158lm/W	156lm/W	154lm/W	152lm/W	150lm/W
Luminous Flux (lm) (CRI 70Ra, 5000K) (Std Dev ±5%)-Performance	T201(85°*150°)	11410lm	12800lm	14220lm	15600lm	16940lm	18240lm	20250lm
Efficacy(lm/W) (CRI 70Ra, 5000K) (Std Dev ±5%)-5050-Pro	T202(75°*150°)	194lm/W	193lm/W	192lm/W	191lm/W	190lm/W	189lm/W	188lm/W
Luminous Flux (lm) (CRI 70Ra, 5000K) (Std Dev ±5%)-5050-Pro	T202(75°*150°)	13580lm	15440lm	17280lm	19100lm	20900lm	22680lm	25380lm
Efficacy(lm/W) (CRI 70Ra, 5000K) (Std Dev ±5%)-5050-Max	T202(75°*150°)	207lm/W	206lm/W	205lm/W	204lm/W	203lm/W	202lm/W	201lm/W
Luminous Flux (lm) (CRI 70Ra, 5000K) (Std Dev ±5%)-5050-Max	T202(75°*150°)	14490lm	16480lm	18450lm	20400lm	22330lm	24240lm	27135lm
ULR	= 0%, @ Luminaire inclination 0°							
CCT	2700K, 3000K, 4000K, 5000K, 5700K, 6500K							
CRI	70Ra, 80Ra, 90Ra optional							
Beam Angle	T201(85°*150°), T202(75°*150°), Customization acceptable							
LED Manufacturer	Other brands, customization acceptable, please request							
LED Model	2835 / 3030 / 5050							
Lens	Polycarbonate							
Mechanical Data								
IP/IK	Optical systems maintain at IP66, IK10, according to standard EN 60529 and EN 62262							
Vibration Resistance	5G rated, conform to standard IEC 68-2-6.							
SCx	0.096m² (top view), 0.024m² (side view)							
Materials	Heavy-duty die-cast aluminum (ADC12)							
Painting	RAL 9005 Black, RAL 9006 Silver, RAL 9007gray, Custom request							
Surface Treatment	Anti-UV thermosetting polyester / 80 micron epoxy primer + Anti-UV thermosetting polyester (for extremely corrosive environments).							
Cable	Pre-wired with a 30 cm cable (Other lengths on request)							
Mounting	Side Entry/Post Top, (Φ42~60mm pole), custom request							
Others								
Lifespan	L70 > 100000hrs, @Ta 25°C							
Warranty	5 years (Warranty extension up to 10 years on request)							
Certification	ENEC,CE,RoHS, For other certificates please request							
Product Size	550*210*89mm/21.65*8.27*3.5"							
Net Weight	3.5KG/7.72lbs							
Carton Size & Gross Weight (standard)	570*220*120mm/22.44*8.66*4.72", 3.9KG/8.6lbs							
Carton Size & Gross Weight (optional)	600*255*135mm/23.62*10.04*5.31", 4KG/8.82lbs							
Recommend Installation Height	General 4-10m, based on actual project requirements							
Standard Accessories	None							
Optional Accessories	10kV/20kV SPD, breather vent, NEMA socket, Photocell, Zhaga, PIR or Microwave sensor, M20 waterproof joint, CCT & Power adjustable optional							

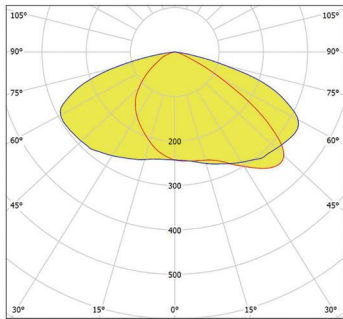
Important Note!

The provided parameters are solely for design reference; the official measurement report holds higher and final authority.

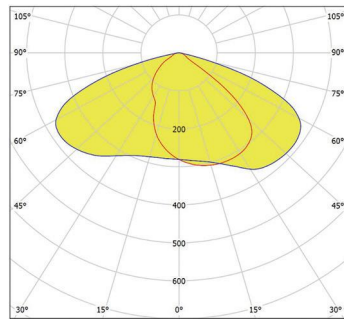
Ordering Information

AOK								
WATTS	VOLTAGE	LED CHIPS	TYPE OF SENSOR	CCT&CRI	DISTRIBUTION	MOUNT	HOUSING	OPTIONS
20WILG(S)	NV1=100-277V	A2=2835	00=Without Sensor	xx70=xx00K 70CRI	T201(85*150°)	A=Side Entry	SL=Silver	10KV SPD
30WILG(S)	NV2=220-240V	A3=3030	PH=Photocell	xx80=xx00K 80CRI	20-135W	B=Post Top	GR=Gray	20KV SPD
40WILG(S)		A5=5050	DV=Dimmable	xx90=xx00K 90CRI			Custom request	Zhaga receptacle
50WILG(S)				xx=(27/30/40/50/57/65)	T202(75*150°)			Nema socket
60WILG(S)					20-135W			Custom request
70WILG(M)								
80WILG(M)					T211(80*150°)			
90WILG(M)					20-60W			
100WILG(M)								
110WILG(M)								
120WILG(M)								
135WILG(M)								

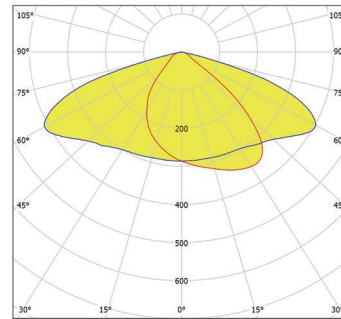
Photometrics



20-135W: T201(85*150°)

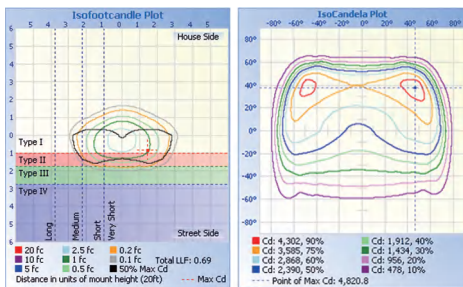


20-135W: T202(75*150°)

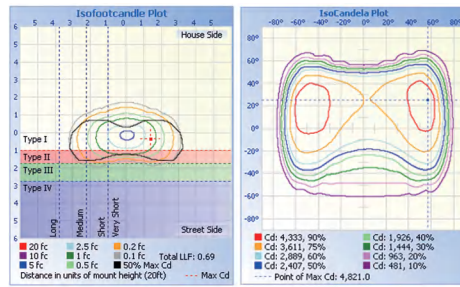


20-60W: T211(80*150°)

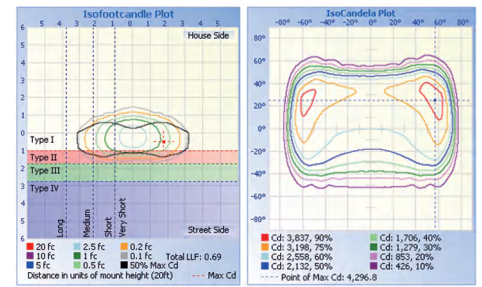
Illuminance Diagram



20-135W: T201(85*150°)

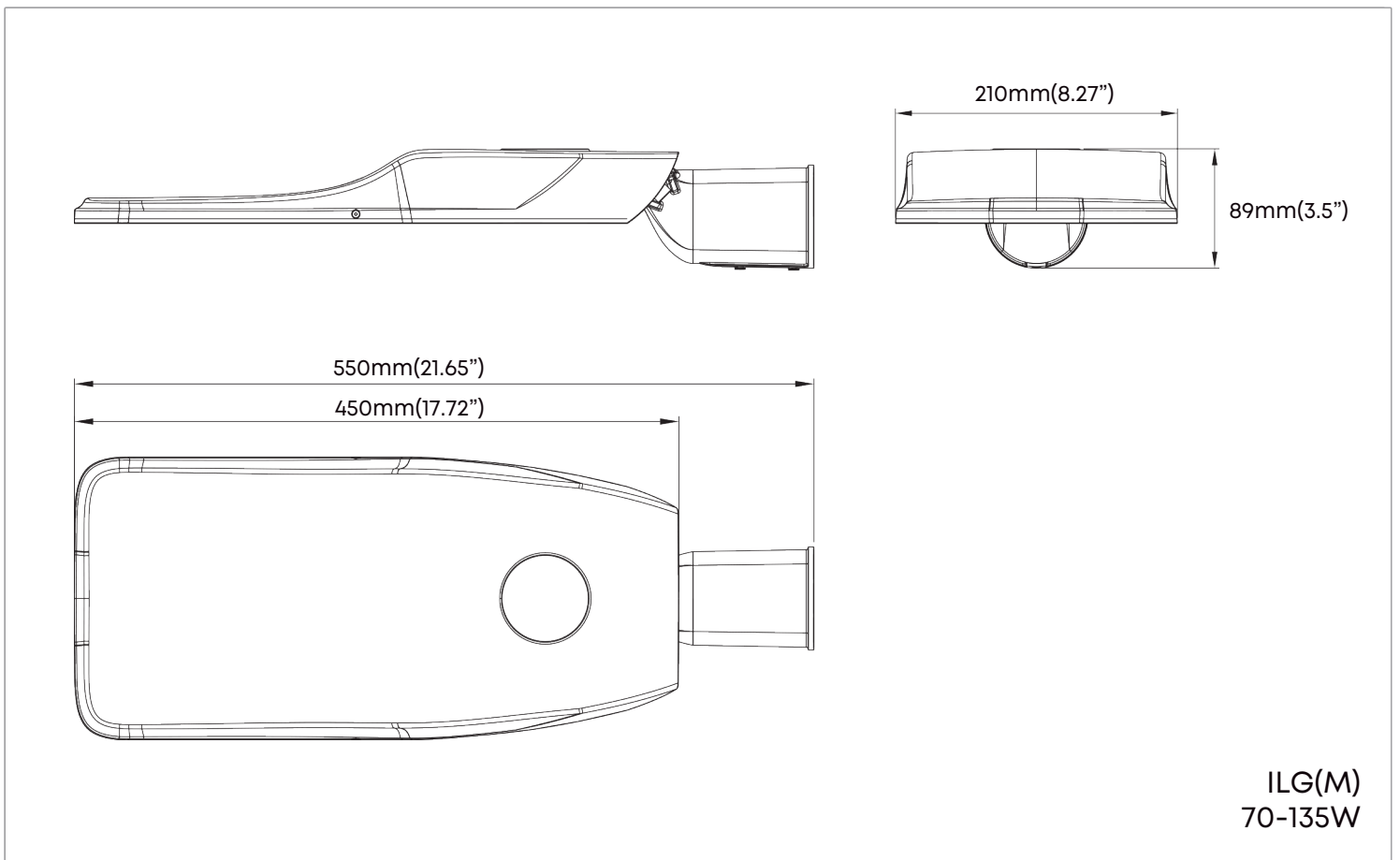
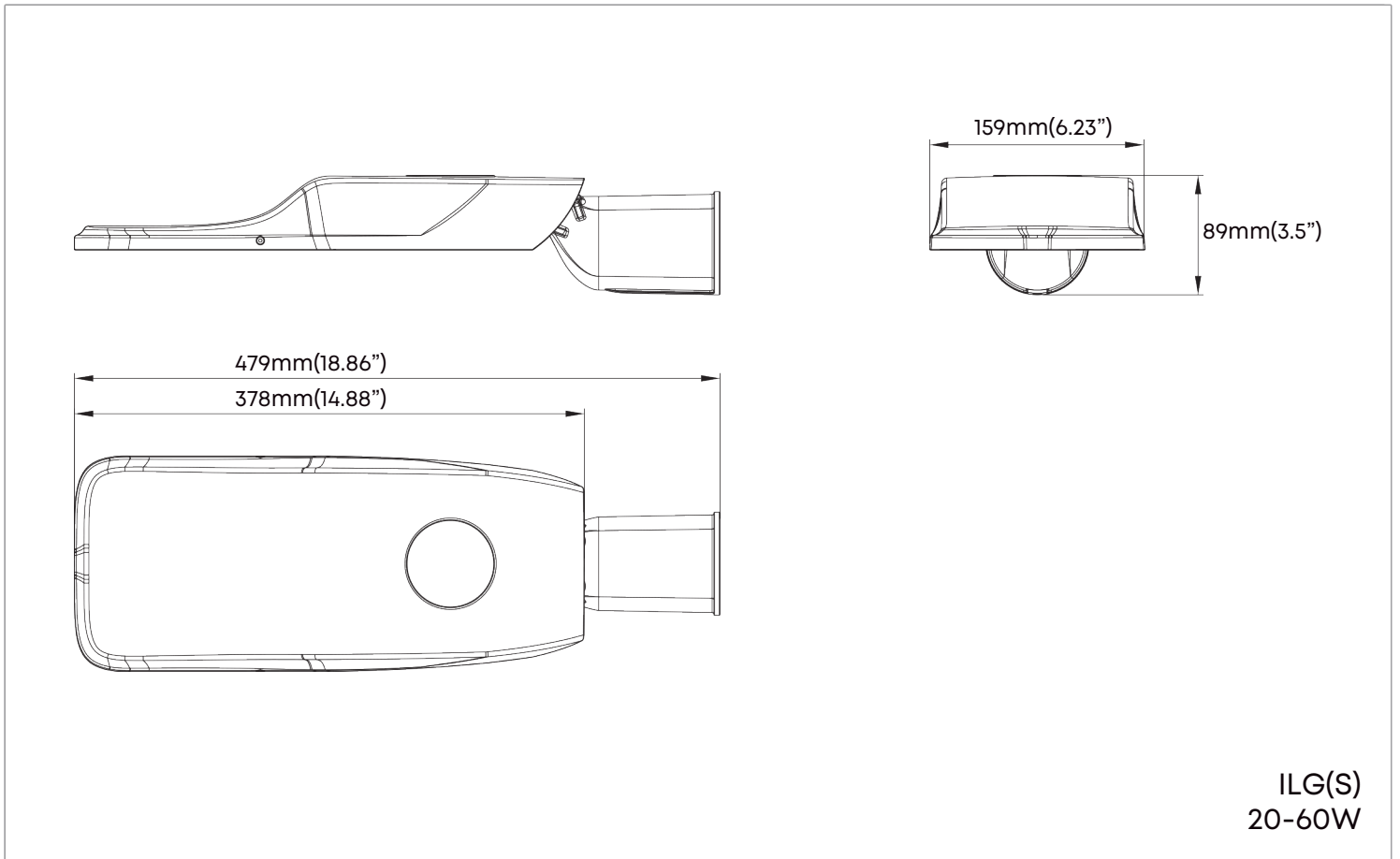


20-135W: T202(75*150°)



20-60W: T211(80*150°)

Dimensions





Innovative & Tailored Lighting Solutions for **Success**



wally@aokledlight.com
www.aokledlight.com
+1 626-986-4050 (US)
+86 755 2357 9148 (CN)

Manufacturing:

Shenzhen:

Building 1 & 4, St. George's Science and Technology Industrial Park, Shajing Street, Shenzhen, China, 518124.

Huizhou:

Building 2, Yinghui Electronic Science and Tech Park, No. 6 Dongsheng North Rd, Chenjiang Street, Zhongkai High-tech Zone, Huizhou, China. 516006.

Philippines:

Binan City, Laguna, Philippines.

Fuzhou Office:

Room 301, Yujing Business Center Zone 1, No. 12 Baihuazhou road, Cangshan district, Fuzhou, China, 350007

Copyright ©2025 AOK Industrial Company Limited. All Right Reserved.