



HBA LED Highbay Light
100W/150W/200W



100+ Patent Certificates
\$1,000,000+ Annual Energy Saving
10,000+ Projects Successfully Installed

OVER YEARS 
10 EXPERIENCE
www.aokledlight.com

> Features of HBA Series

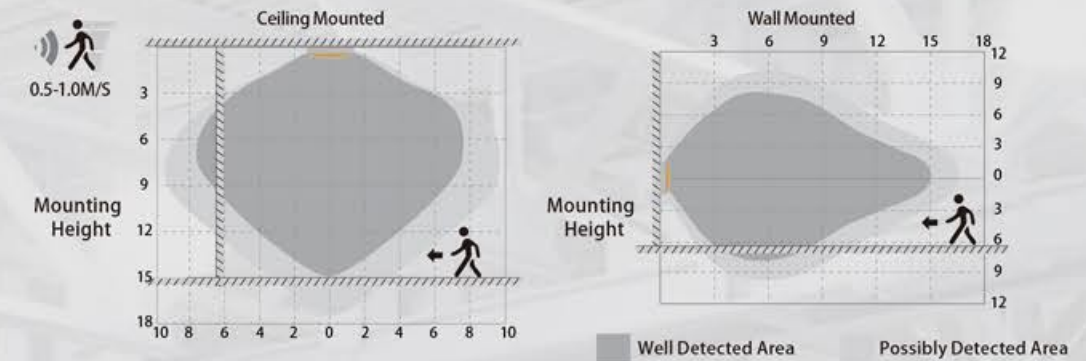
· HBA series is designed for Indoor and Industrial lighting, a superior high output, high efficiency LED high bay light, featuring a unique optical design that virtually eliminates glare with minimal impact on performance. It is available in a variety of distributions for lighting applications such as gyms, industrial, multi-purpose rooms in schools, churches, and retails, etc.

- Patented design
- System efficiency 160 lm/W ,210lm/W optional
- High efficiency driver, PF > 0.95
- Lumileds 2835 LED light source, CRI: 80
- ADC12 aluminum die casting housing , perfect heat dissipation
- Available with 60°/ 90°/120° beam angle
- 3000K / 4000K / 5000K / 5700K / 6500K CCT
- Long life span , L90B10 > 52,000 Hours



12VDC HIGHBAY MICROWAVE SENSOR WITH ZHAGA 18 RECEPTACLE HD06VCRH 7B

- On/Off Control
- Detection Area
- Daylight Sensor
- 5 Years Limited Warranty
- Stand-by period
- Stand-by dimming level
- Hold Time
- 10-15M Highbay
- Remote Control



Technical Data

Operating Voltage 10.5-15V DC	Detection Area 25%/50%/75%/100%	Mounting Height Max.15m/49.21ft Ceiling Mounted
Output DIM 1-10V	Holdtime 5s/30s/1min/3min/5min/10min/20min/30min	Detection Range Max.Ø16m/52.49ft Ceiling Mounted
Standby Consumption <30mA Power Consumption	Daylight Threshold 2Lux/10Lux/30Lux/50Lux/80Lux/120Lux/Disable	Motion Detection 0.5~1m/s
Microwave Frequency 5.8GHz±75MHz	Stand-by Period 0s/10s/30s/1min/5min/10min/30min/60min+∞	Temperature -20°C~+60°C
Microwave Power <0.3mW	Stand-by Dimming Level 10%/20%/30%/50%	IP Rating IP65

Daylight Priority Function
Daylight priority function works when daylight threshold preset as 20Lux/80Lux/50Lux/30Lux, standby period as +∞ and standby dimming level as 10%/20%/30%

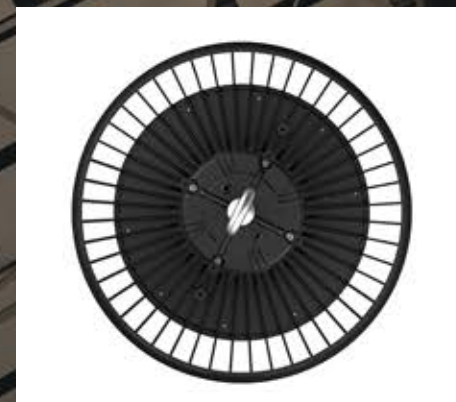
UP TO 210 lm/W	100-277V 50/60HZ	Working Temperature Environment -40°C~50°C (-40°F~+122°F)	• 3000K • 4000K • 5000K • 5700K • 6500K
L90B10 >100000hrs @ 25°C	THD <20%	IP65 IK09	CRI 80
Smart Sensor	DALI CONTROL	DIM	

5 **10** **WARRANTY**
5 Year Limited Warranty,
10 Year Preferred Warranty.
Please consult with our sales for detailed agreement.

wally@ookledlight.com
+1 626-986-4050 (US)
+86 755 2357 9148 (CN)
@2022 AOK LED LIGHT CO., LTD. All Right Reserved.



> Application Reference



Parameter Table

Electrical Data

Model	AOK-HBA100	AOK-HBA150	AOK-HBA200
Power(W)	100W	150W	200W
Input voltage	100-277VAC, 50/60Hz		
THD	<20%		
PF	>0.95		
Control Option	0-10V, PWM, Resistor, AUX: 12V/0.15A. Occupancy and motion sensor, DALI control optional.		
Operating temperature	-40°C to 50°C (-40 °F to 122 °F)		

Photometric Data

Efficacy(lm/W, Std. Dev ±3%)	160lm/W (Please refer to IES for exact data)		
Luminous flux (lm, Std. Dev ±3%)	16000lm	24000lm	32000lm
Efficacy(lm/W, Std. Dev ±3%)	200lm/W~210lm/W (Please refer to IES for exact data)		
Luminous flux (lm, Std. Dev ±3%)	20000lm	30000lm	40000lm
ULOR	= 0%, @ Luminaire inclination 0°		
CCT	3000K, 4000K, 5000K, 5700K, 6500K		
CRI	Ra80		
Beam angle	60D/90D/120D		
LED Manufacturer	Lumileds		
LED model	2835		
Lens	Polycarbonate (Better impact resistance than glass)		

Mechanical Data

IP/K	IP65/IK09, according to standard EN 60529 and EN 62262		
Housing/Materials	Heavy-duty die-cast aluminum (ADC12)		
Surface treatment	Anti-UV thermosetting polyester (for extremely corrosive environments).		
Painting	Black, Custom on request		
Cable	Pre-wired with a 30 cm cable (Other lengths on request)		
Mounting	Hook		

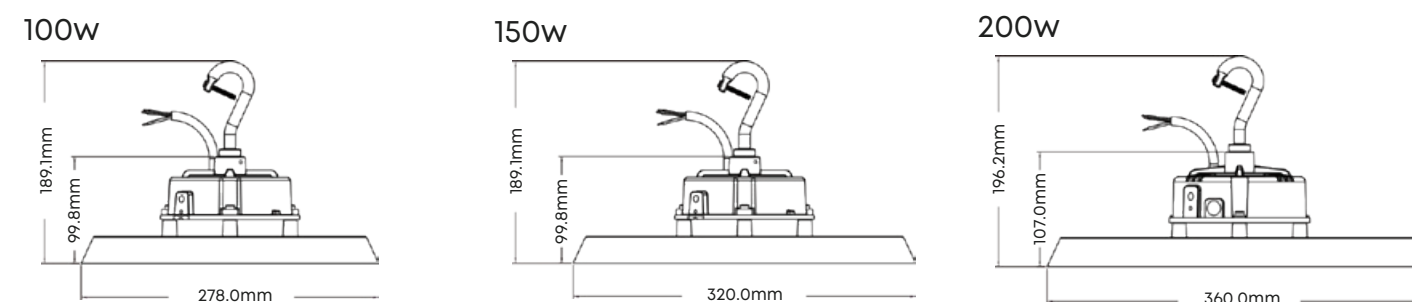
Others

Lifespan	L90B10 > 100000hrs, @Ta 25°C		
Warranty	5 years (Warranty extension up to 10 years on request)		
Certification	UL/cUL/FCC/ROHS/CE/SAA./For other certificates please request		
Product size	Ø278*189.1mm	Ø320*189.1mm	Ø360*196.2mm
Net weight	1.72kg	2.14kg	2.64kg
Carton size	300*300*160mm	350*350*165mm	390*390*170mm
Gross weight	2.18kg	2.72kg	3.36kg
QTY./CTN.	1 PCS/CTN	1 PCS/CTN	1 PCS/CTN

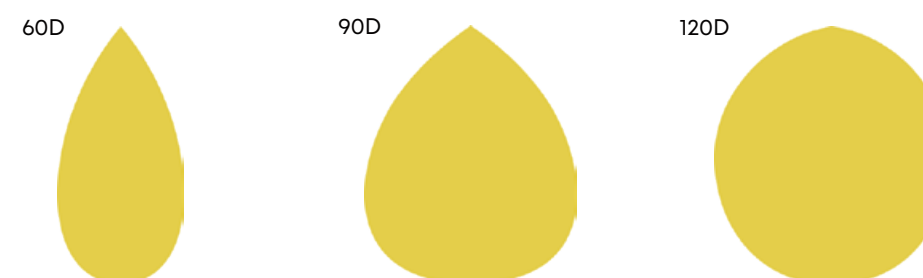
Ordering Information

MODEL	VOLTAGE	LED CHIPS	TYPE OF SENSOR	CCT&CRI	DISTRIBUTION	MOUNT	OPTION	HOUSING
HBA100	NV=100-277V	L2=LUMILED 2835	00=Without Sensor	3070=3000K 70CRI	60D=60deg	Hook Mount	DALI control	BK=Black
HBA150			DV=Dimmable	4070=4000K 70CRI	90D=90deg	Yoke Mount	Reflector	
HBA200			OS=Occupancy Sensor MS=Microwave Sensor	5070=5000K 70CRI 5770=5700K 70CRI 6570=6500K 70CRI 3080=3000K 80CRI 4080=4000K 80CRI 5080=5000K 80CRI 5780=5700K 80CRI 6580=6500K 80CRI	120D=120deg		AUX Plug	

Dimension



Photometrics



Accessories





Quality, Honesty, Service and Innovation

Illuminate Your Future

5

10

● WARRANTY

5 Year Limited Warranty,
10 Year Preferred Warranty.
Please consult with our sales for detailed agreement.

wally@aokledlight.com

www.aokledlight.com

+1 626-986-4050 (US)

+86 755 2357 9148 (CN)

Manufacturing: Building 1 & 4, St. George's Science and Technology Industrial Park, Shajing Street, Shenzhen, China, 518124.

Fuzhou HQ: Room 301, Yujing Business Center Zone 1, No. 12 Baihuazhou road, Cangshan district, Fuzhou, China, 350007

NorthAmerica HQ: 18541 E Gale Ave, City of Industry, CA91748 USA

Copyright ©2022AOK LED LIGHT CO., LTD. All Right Reserved.