



IMS LED STADIUM LIGHT
LED FLOOD LIGHT

OVER YEARS 
10 EXPERIENCE
www.aokledlight.com



> Features of IMS Series

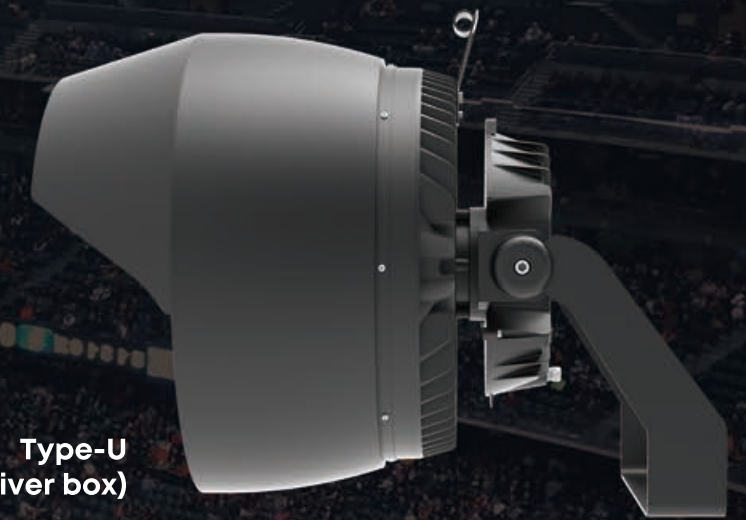
IMS series is an energy-saving and economical LED flood light which is suitable for stadium lighting. It is also suitable for large outdoor lighting such as ports, truck loading bay, and docks.

- Power range: 480W/600W/800W.
- Robust die-cast aluminum housing. (EN AC-46100).
- UV stabilized polyester powder paint finish for durability and corrosion resistance.
- The internal wiring structure is greatly simplified, the design is more reasonable, convenient for installation and debugging.
- Uniform luminous flux and low glare, better night vision performance.
- Compatible with DALI, 1-10V, PWM, Timer dimming.
- 3G vibration rating, conform to standard IEC 68-2-6.
- Built-in surge protection device, protect the outdoor fixtures to prolong the life, avoid overload or being damaged by lightning.

UP TO 160 lm/W	100-277V @ 277-480V 50/60HZ	THD <20%	L90B10 >52000hrs @ 25°C	Working Temperature Environment -40°C~50°C (-40°F~+122°F)
IP66 IK09	3G VIBRATION TESTING		CRI 70/80/90	 DIM



Type-A
(Split model, remote driver box)



Type-U
(Yoke mount with driver box)

Better Performance Starts with Better Lighting

5 **10** **WARRANTY**
5 Year Limited Warranty,
10 Year Preferred Warranty.
Please consult with our sales for detailed agreement.

wally@ookledlight.com
+1 626-986-4050 (US)
+86 755 2357 9148 (CN)
©2022 AOK LED LIGHT CO., LTD. All Right Reserved.

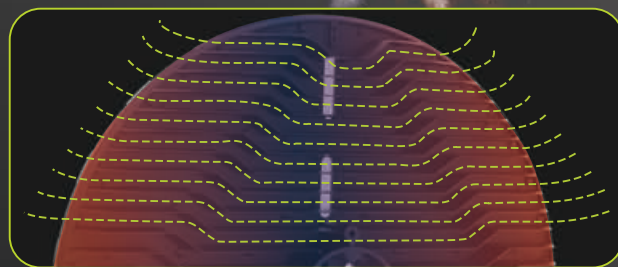
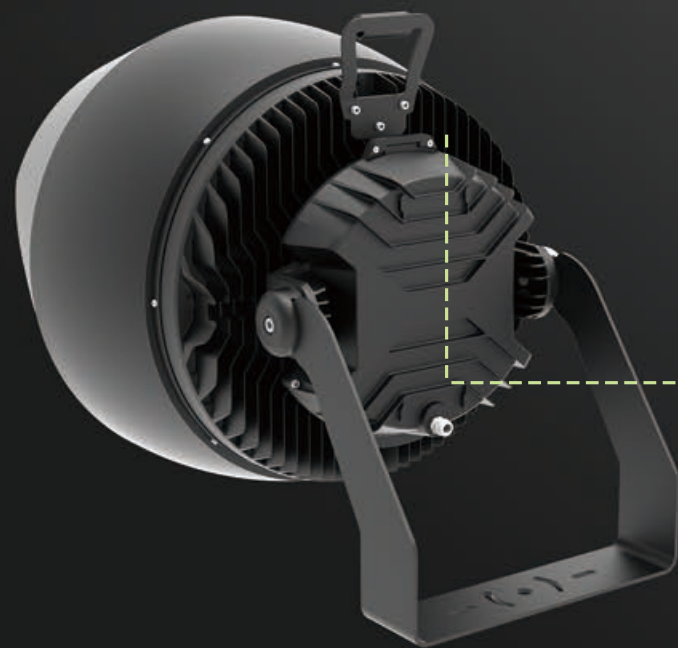
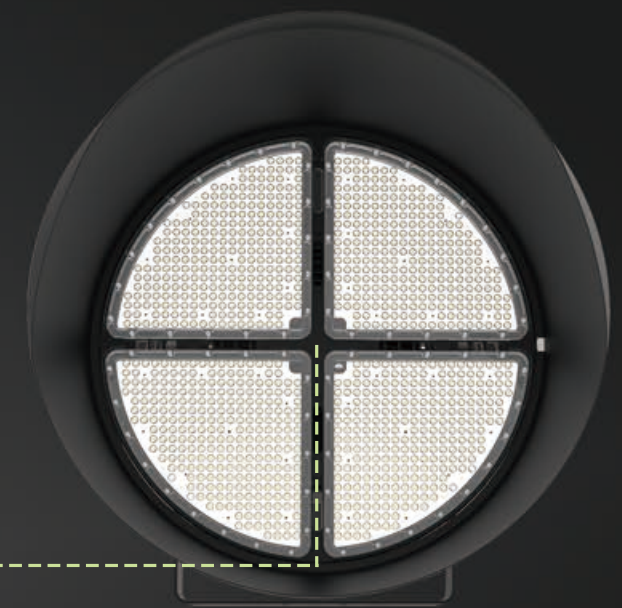
AOK
Quality, Honesty, Service and Innovation

> Perfect Design for Gaming

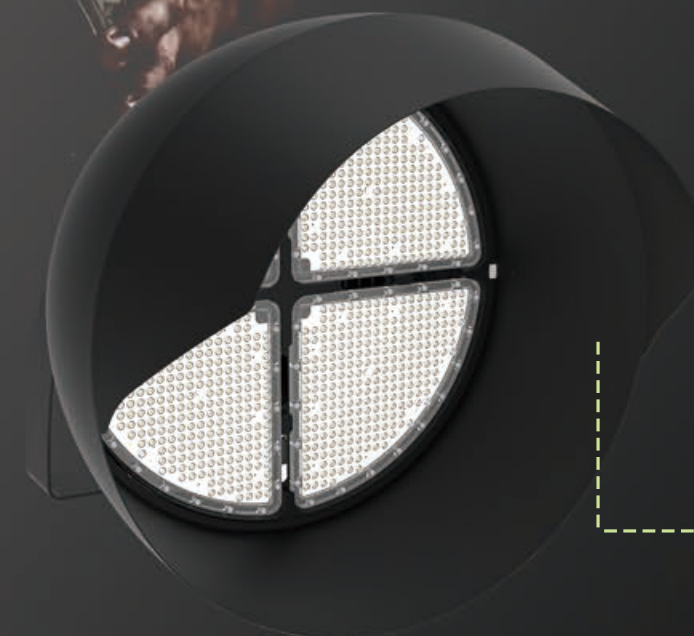
Versatile mounting bracket for easy installation, the minimum adjustment angle is $\pm 5^\circ$. 3G vibration rating, conform to standard IEC 68-2-6. Pin type terminal inside the driver box, quick installation, easy maintenance



Accurate light distribution for different project needs. Adopt Seoul 3030/5050 LED chips to ensure a high-quality light source. Optics is precisely designed to shape the distribution, maximizing efficiency and application. Modular optical assemblies enable simple replacement and fast maintenance.



Separated driver box, fin-shape heat dissipation design, speed up air convection, dynamic thermal management to maximizes cooling efficiency and significantly improves the lifespan of fixture.



Laser aiming & Visor Optional



Laser aiming

Glare shield (light visor) reduce spill light and sky glow while maximizing efficiency and application spacing.

*As the products are upgraded, the accessories may differ from those described in the pictures.

*Due to the constant improvements in product development, individual parameters might change. Please refer to our sales or R&D team for most up-to-date content as specifications are subject to change without notice.

> Application Reference



Baseball



American Football



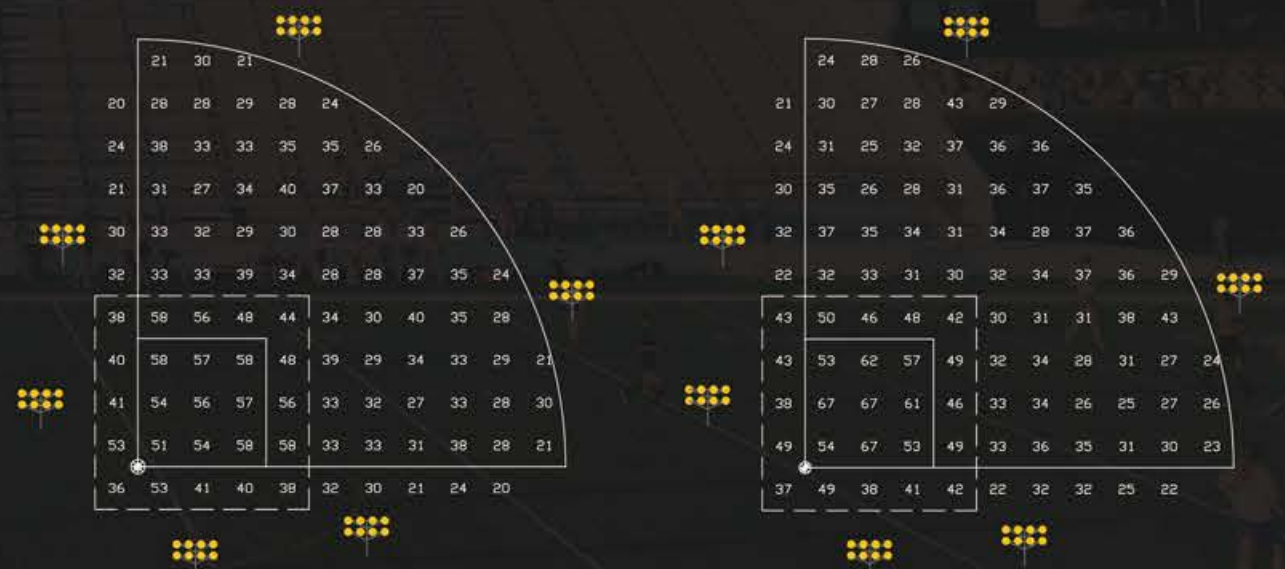
Soccer



Softball



TYPICAL LAYOUT BASEBALL FIELD WITH 6 POLE DESIGN



Fixture: 1600W HID
 Fixture Count: 46
 Average Light Level: 50fc (infield) 30fc (outfield)
 Total Wattage: 73,600W

Fixture: 800W IMS
 Fixture Count: 44
 Average Light Level: 50fc (infield) 30fc (outfield)
 Total Wattage: 35,200W

➤ Application Reference



➤ Application Reference



Parameter Table

Electrical Data

Model	AOK-480WiMS	AOK-600WiMS	AOK-800WiMS
Power(W)	480W	600W	800W
Input voltage	100-277VAC, 50/60Hz, 277-480VA optional		
THD	<20%		
PF	>0.96		
UGR	<22		
Control Option	DALI, 1-10V/PWM/Timer dimming		
Operating temperature	-40°C to 50°C (-40 °F to 122 °F)		
Driver brand	Meanwell/Inventronics		
Surge Protection	10kV, 20kV optional		

Photometric Data

Efficacy(lm/W) (CRI 70Ra, 4000K, Std. Dev ±3%)	Beam Angle	3030 130lm/W			3030 140lm/W			3030 155lm/W					
		15D	30D	60D	15D	30D	60D	15D	30D	60D			
Luminous flux (lm) (CRI 70Ra, 4000K, Std. Dev ±3%)	15D	3030	62400lm	3030	78000lm	3030	104000lm	5050	67200lm	5050	84000lm	5050	108000lm
		5050	67200lm	5050	84000lm	5050	112000lm	3030	67200lm	3030	84000lm	3030	112000lm
	30D	3030	76800lm	3030	96000lm	3030	124000lm	5050	76800lm	5050	96000lm	5050	124000lm
		5050	76800lm	5050	96000lm	5050	124000lm	3030	76800lm	3030	96000lm	3030	124000lm
	60D	3030	76800lm	3030	96000lm	3030	112000lm	5050	76800lm	5050	96000lm	5050	124000lm
		5050	76800lm	5050	96000lm	5050	124000lm	3030	76800lm	3030	96000lm	3030	124000lm

ULOR = 0%, @ Luminaire inclination 0°

CCT 3000K, 4000K, 5000K, 5700K, 6500K

CRI Ra 70, Ra 80, Ra 90 optional

Beam angle 15D/30D/60D

LED Manufacturer SEOUL

LED model SEOUL 3030/SEOUL 5050

Working current of single LED

3030 168mA, 5050 325mA, 3030 119mA, 5050 184mA, 3030 119mA, 5050 184mA, 3030 116mA, 5050 259mA, 3030 116mA, 5050 259mA

Lens Polycarbonate (Better impact resistance than glass), modular design

Mechanical Data

IP/IK IP66/IK09, according to standard EN 60529 and EN 62262

Vibration resistance 3G, conform to standard IEC 68-2-6.

SCX(EPA) Front: 0.13834m² (1.49ft²); Front side: 0.242414m² (2.61ft²); Side: 0.122047m² (1.31ft²);

Housing/Materials Heavy-duty die-cast aluminum (EN AC-46100)

Surface treatment Anti-UV thermosetting polyester/80 micron epoxy primer + Anti-UV thermosetting polyester (for extremely corrosive environments).

Painting Black, Silver gray, Custom request

Cable Pre-wired with a 30 cm cable (Other lengths on request)

Mounting Type-A (Top fixed without driver box) / Type-U (Yoke mount with driver box)

Others

Lifespan L90B10 > 52000 h, @Tq 25°C

Warranty 5 years (Warranty extension up to 10 years on request)

Certification UL/CUL/FCC/ROHS/CE/TUV/ENEC/CB/SAA/RCM, For other certificates please request

Product size 552*552*243mm, 552*552*243mm, 552*552*243mm

Net weight (Bracket not included) 16.8kg, 17.2kg, 17.9kg

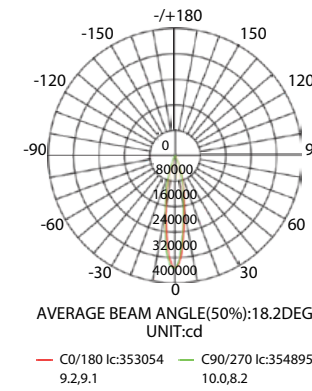
Carton size (Bracket not included) 620*620*260mm, 620*620*260mm, 620*620*260mm

Gross weight (Bracket not included) 18.6kg, 19kg, 19.7kg

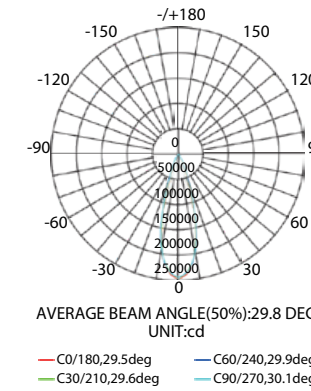
Application field Suitable for stadium, sports field, port, railway station

Photometrics

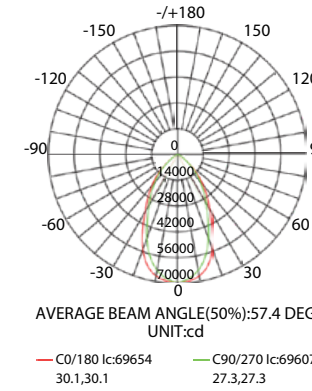
15D



30D



60D



Ordering Information

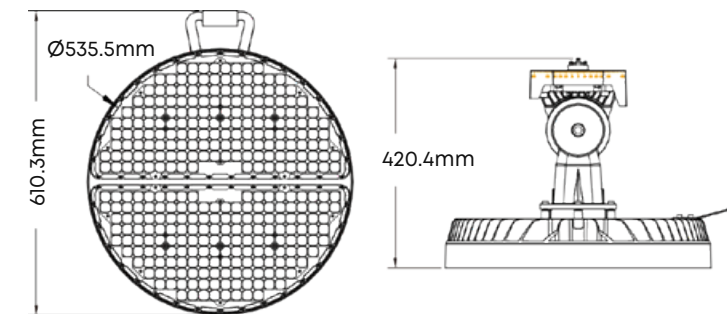
AOK-	WATTS	VOLTAGE	LED CHIPS	TYPE OF SENSOR	CCT&CRI	DISTRIBUTION	MOUNT	COLOR
	480WiMS	NV=100-277V	S3=Seoul 3030	00=Without Sensor	3070=3000K 70CRI	15=15D	A=Top fixed	BK=Black
	600WiMS	HV=277-480V	S5=Seoul 5050	SN=Motion Sensor	3080=3000K 80CRI	30=30D	U=Yoke mount	SG=Silver Gray
	800WiMS			PH=Photocell	4070=4000K 70CRI	60=60D		
				DV=Dimmable	4080=4000K 80CRI			
					5070=5000K 70CRI			
					5080=5000K 80CRI			
					5770=5700K 70CRI			
					5780=5700K 80CRI			

Accessories

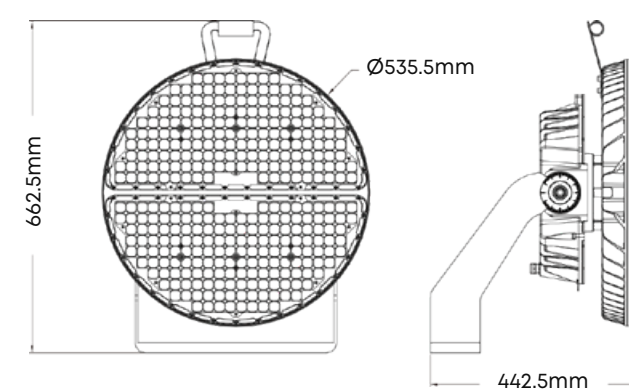
- SPD 10kV, 20kV optional
- Light visor
- Laser sight

Dimension

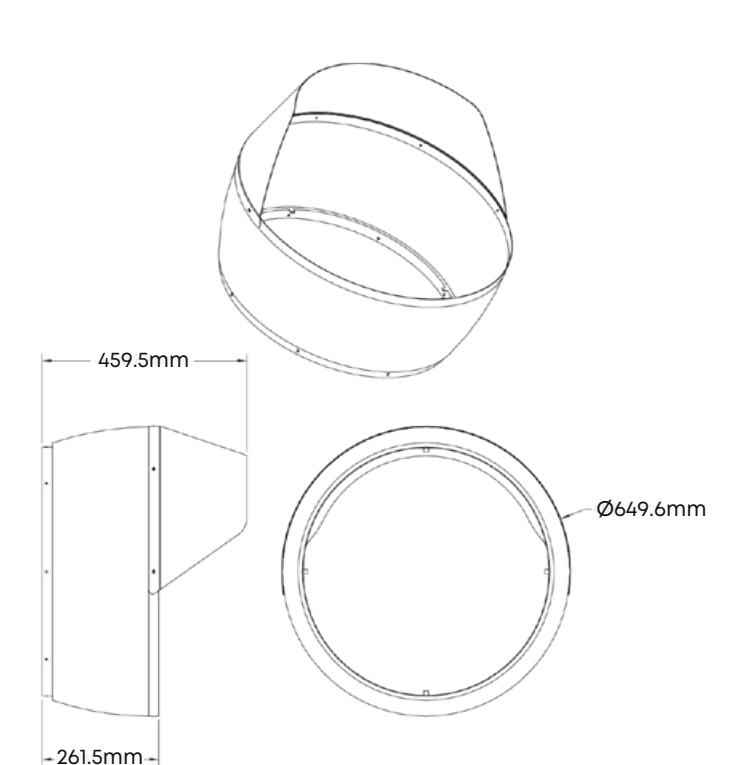
Type-A Top Fixed



Type-U Yoke Mount



Visor



IMS Series Specification Sheet

*Due to the constant improvements in product development, individual parameters might change. Please refer to our sales or R&D team for most up-to-date content as specifications are subject to change without notice.

wally@ookledlight.com
+1 626-986-4050 (US)
+86 755 2357 9148 (CN)

©2022 AOK LED LIGHT CO., LTD. All Right Reserved.





Quality, Honesty, Service and Innovation

Illuminate Your Future



5 Year Limited Warranty,
10 Year Preferred Warranty.
Please consult with our sales for detailed agreement.

wally@aokledlight.com
www.aokledlight.com
+1 626-986-4050 (US)
+86 755 2357 9148 (CN)

Manufacturing: Building 1 & 4, St. George's Science and Technology Industrial Park, Shajing Street, Shenzhen, China, 518124.

Fuzhou HQ: Room 301, Yujing Business Center Zone 1, No. 12 Baihuazhou road, Cangshan district, Fuzhou, China, 350007

NorthAmerica HQ: 18541 E Gale Ave, City of Industry, CA91748 USA

Copyright ©2022 AOK LED LIGHT CO., LTD. All Right Reserved.