



ISF LED STADIUM LIGHT
400W/600W/800W/1200W/1500W/1800W



100+ Patent Certificates
\$1,000,000+ Annual Energy Saving
10,000+ Projects Successfully Installed

OVER YEARS 
10 EXPERIENCE
www.aokledlight.com

> Features of ISF Series

ISF series is an energy-saving and economical LED flood light which is suitable for stadium lighting. It is also suitable for large outdoor lighting such as ports and docks.

- Up to 150LM/W, power range: **400W-1800W**.
- Modular design, a maximum of 3 modules available.
- UV stabilized polyester powder paint finish for durability and corrosion resistance. Saving maintenance budget and operating costs.
- Die-casting aluminum, excellent heat dissipation design, more conducive to prolong the lifespan.
- Excellent lighting system design, better performance.
- Eco-friendly, the lighting around the site is not plagued by light pollution.
- The illumination of the site is significantly improved, with better uniformity, and the overflow light is reduced to a minimum.

UP TO 150 lm/W	NV: 100-277V HV: 277-480V HV: 220-400V 50/60HZ	THD <20%	L90B10 >100000hrs @ 25°C	Working Temperature Environment -40°C~50°C (-40°F~+122°F)
IP66 IK08	3G VIBRATION TESTING	CRI 70/80/90	DIM	



For other certificates please request

APPLICABLE TO (Optional)
4K & HD TV LIVESTREAM

TLCI >95 **GR <40**



UP TO 1800W
MODULAR

Modular design makes the fixture easy to repair and replace. Maximum power to 1800W, flexible to adapt to project lighting needs.



LIGHTWEIGHT
MAX. <30KG

The total weight of the 1800W fixture is less than 30KG (without a driver box). The lighter the weight, the easier the installation and the safer the fixture it is.



FOR TV BROADCAST

ISF guarantees excellent TV footage thanks to LED in-sources with a high TLCI index (Max >95) and allows the creation of super slow motion flicker-free.



CONVENIENT INSTALLATION

Type-A (Top-fixed) or Type-U (Yoke mount) installation. The installation procedure is simple and saves time and manpower.



5 Year Limited Warranty,
10 Year Preferred Warranty.
Please consult with our sales for detailed agreement.

wally@aokledlight.com
+1 626-986-4050 (US)
+86 755 2357 9148 (CN)

©2022 AOK LED LIGHT CO., LTD. All Right Reserved.



> Perfect Design for Gaming

- The lighting system, electrical, structural all links of the precise configuration and full consideration, precise control of light, to ensure the best light efficiency. We make the whole lighting system faultless, more durable.
- We provide easy-to-maintain design, integrated grounding, and surge protection to ensure the long life of the sensitive electrical components required by LEDs.

HEAT SINK

- Die-casting aluminum ADC12, high thermal conductivity
- Unique convective air cooling design
- Machined smooth surface for maximum heat transfer of the LEDs
- Maintains low LED junction temperature for high wattage operation

U-BRACKET

- Maintains alignment is up to 150 mph winds.
- Type-A mount optional.

WATERPROOF RING

- High-temperature resistance materials
- Aging resistance, excellent sealing

TEMPERED GLASS

- Impact-resistant IK08
- High transparency

LED PANEL

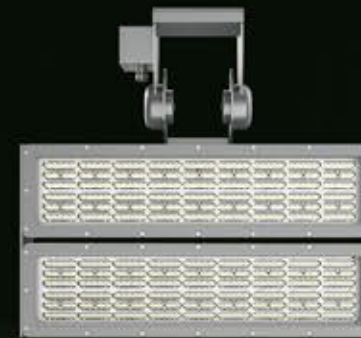
- Seoul 5050/Seoul Z5M4 3535
- CREE/LUMILEDS optional
- Metal-core printed circuit board

LENS

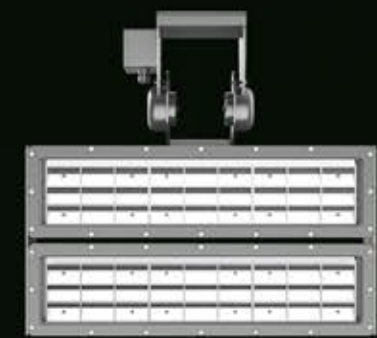
- High-temperature resistance PC materials
- High transparency
- Multiple beam angles

SURFACE COVER

- Perfectly sealed to keep optics away from harmful environmental elements
- High-strength material ADC12



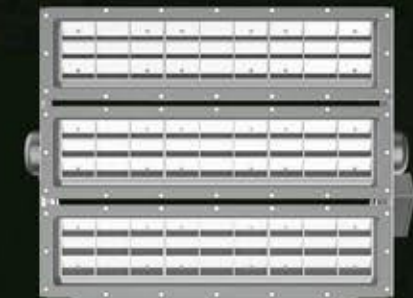
Type-A (Optical Lens)



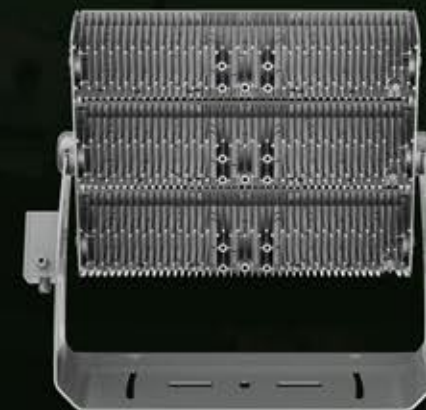
Type-A (With Reflector)



Type-U (Optical Lens)



Type-U (With Reflector)



Type-U Power Supply Split Installation

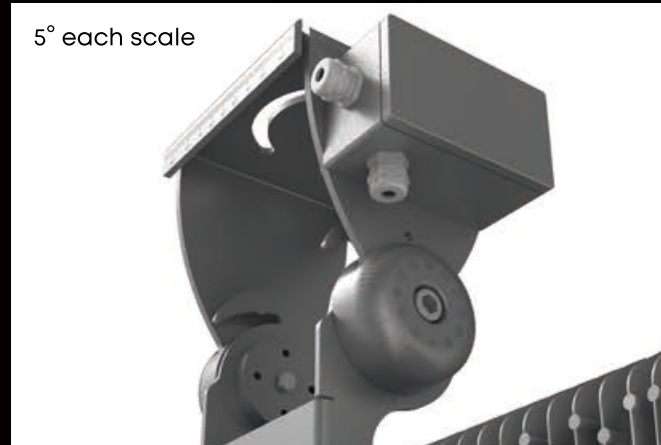


Type-U Driverbox Integrated with Bracket

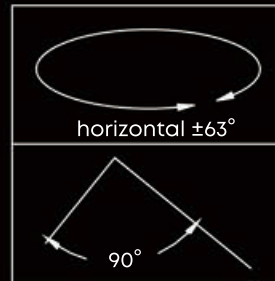
> Flexible & Convenient Installation

Type-A Top-fixed I

The innovative top-fixed bracket is ideal for the suspended installation of ISF in limited spaces (for example under the roof cover of grandstands). Furthermore, top-fixed simplifies pointing operations. This fixing system allows adjustment on several planes and axes: the main adjustment with tilt range in the horizontal plane $\pm 63^\circ$, rotation range on vertical axis 90° .



Type-C Top-fixed II



Laser aiming & Visor
Optional



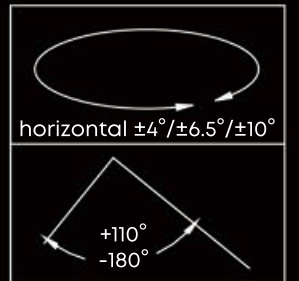
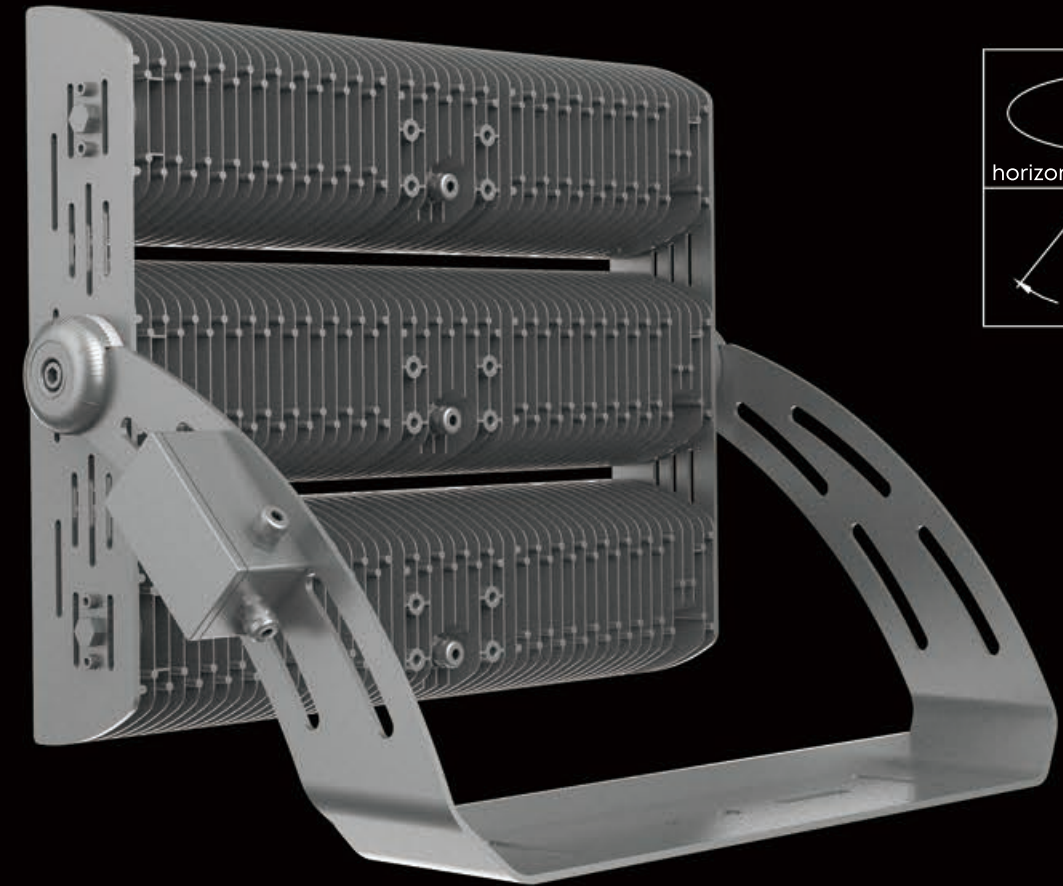
Laser aiming



Safety rope

Type-B Yoke Mount

The Type-B Bracket of ISF is made of 304 stainless steel, with super corrosion resistance. It is adjustable and tilt-able on the horizontal plane $\pm 4^\circ / \pm 6.5^\circ / \pm 10^\circ$, rotation range on vertical: $+110^\circ / -180^\circ$. It is also available for inverted mounting, guaranteeing great installation versatility.



Laser aiming



Safety rope

*As the products are upgraded, the accessories may differ from those described in the pictures.

*Due to the constant improvements in product development, individual parameters might change. Please refer to our sales or R&D team for most up-to-date content as specifications are subject to change without notice.

> Photometric Design



Hidden reflector design, the fixture is invisible at the night except for light, lower glare.

The ISF series is available with a high-performance Optical System, customizable to meet all installation requirements in professional sports fields. The system consists of floodlighting optics for punctual lighting in the pitch. The lighting solutions allow optimizing light in every direction with extreme flexibility. The solution uses specific LED sources for high-grade TLCI television broadcasts.

The ISF series is designed with an innovative lighting technique for sports fields that makes the installation of the floodlights extremely simple, without resorting to precise aiming. The lighting reflector system has been created specifically for certain sports facilities such as the tennis court, where the installation of the luminaires can also be quick and easy.

Distribution Design - Without Visor

Symmetric Optic-15D



Symmetric Optic-20*30D



Symmetric Optic-30D



Asymmetric Optic-35*85D



Distribution Design - With Reflector

Asymmetric Optic-PG30D



Asymmetric Optic-PG60D



Distribution Design - With Visor

Asymmetric Optic-15D



Asymmetric Optic-20*30D



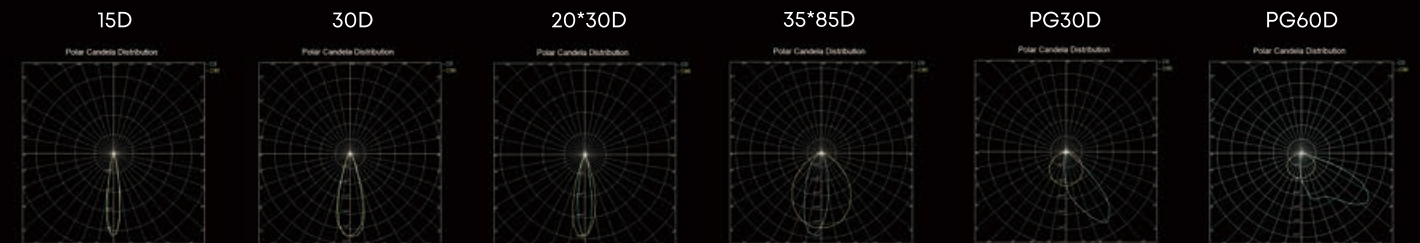
Asymmetric Optic-30D



Asymmetric Optic-35*85D



Accurate light distribution design to ensure accurate lighting, Seoul or CREE/LUMILEDS LED chips to ensure the best lighting performance.



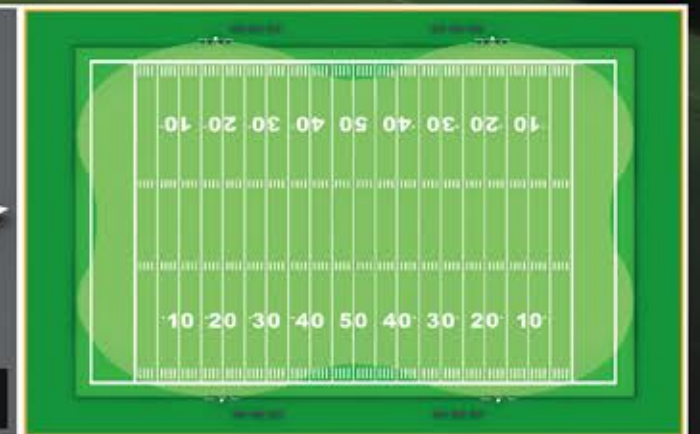
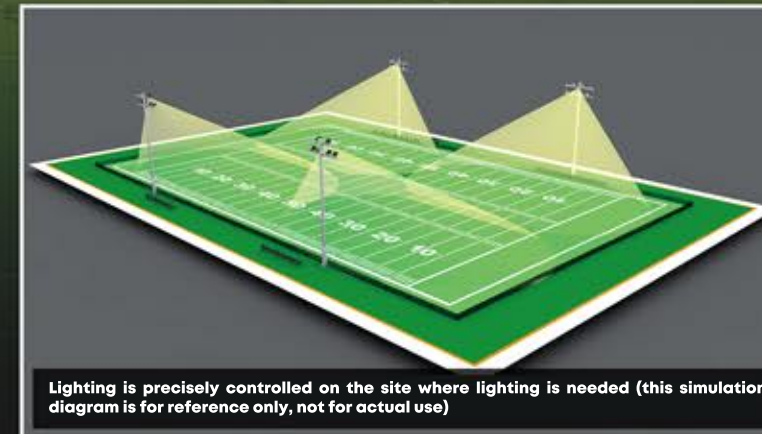
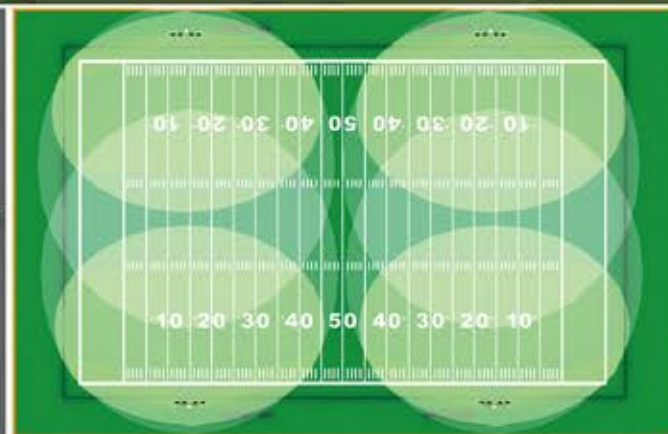
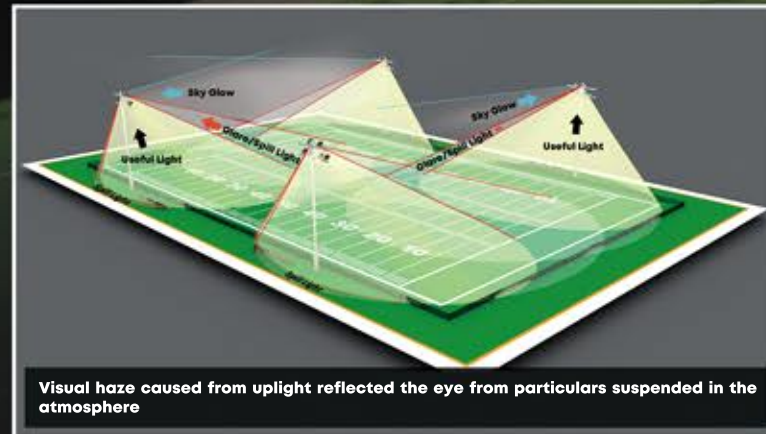
> Control of Light



- Glare & light pollution
- Light spills out



- Comfortable uniform lighting effect
- No upper light pollution
- Better visual experience



• Glare can cause problems for athletes and nearby residents. Spillover light causes light pollution in the night sky. Solving the problem of reducing light pollution is the primary mission of our product design. While providing a brighter lighting system for the site, we were also concerned about how to reduce the disturbance to the surrounding environment.

• Effective control of light can better reflect the energy conservation and environmental protection of LED lighting equipment. The low glare design of the ISF series allows for effective control of light and direction, providing greater comfort for athletes on the field, a better spectator experience, and minimizing light pollution.

• Precise lighting system design of ISF series, combined with visor, reduces in-site glare by 40%, spills by more than 50%, and saves energy by up to 40% compared to conventional MHL or other lamps.

> Referential Simulation Result

Project Simulation Service for Clients

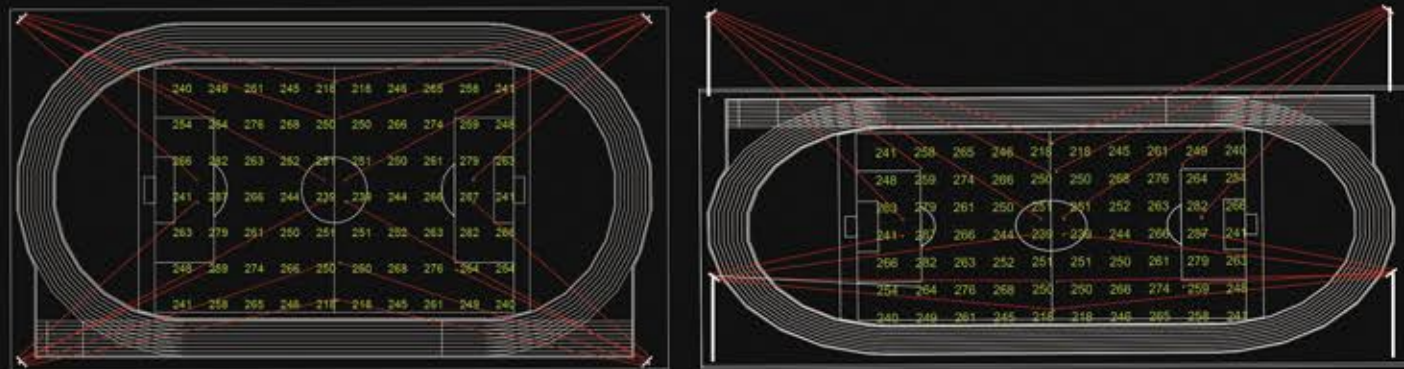


Reference Data

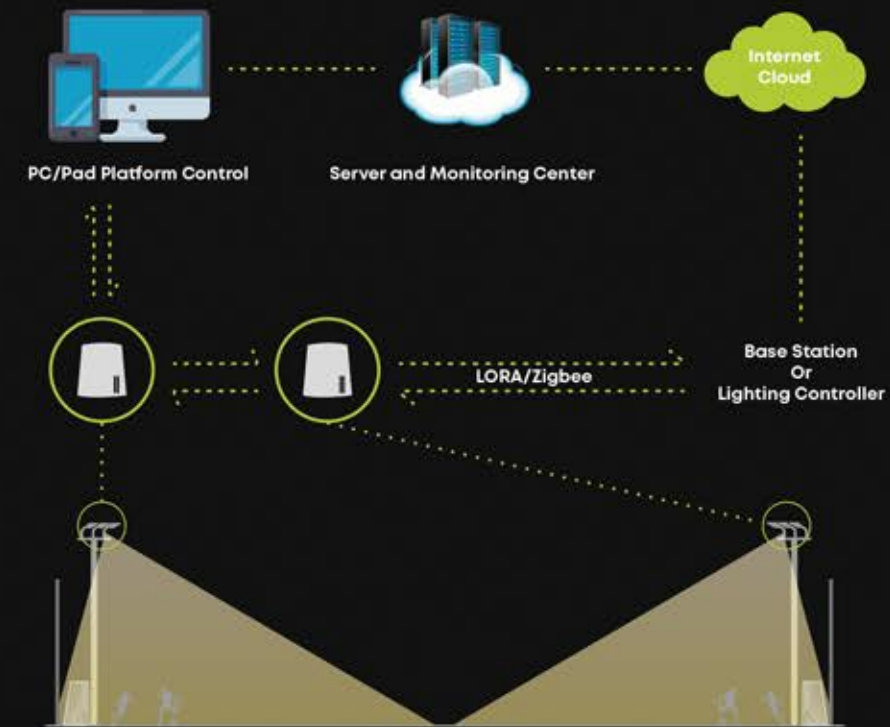
Field proportion: 105*68m;
 Installation height: 30m;
 Pole number: 4 PCS;
 Number of fixtures: 5 PCS *4;
 The total lumens: 144000lm;
 Power of each fixture: 1200W;



Illumination Parameters



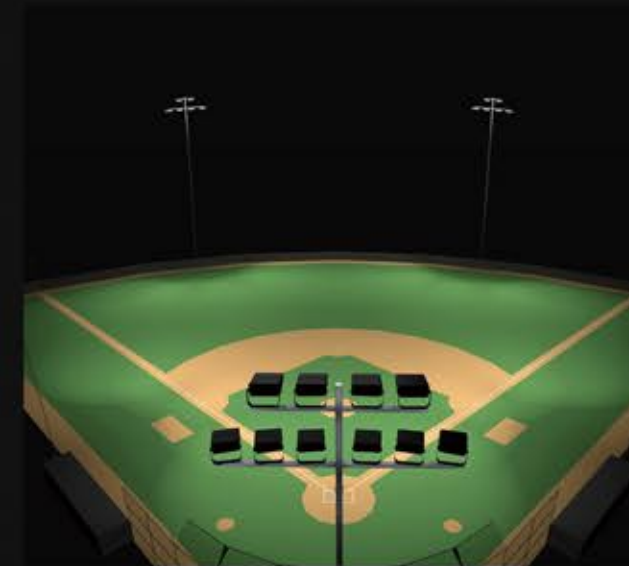
> Smart Lighting Control



The Lora Light wireless system or Zigbee control with strong anti-interference ability is adopted in the wireless transmission unit of the light controller to realize the communication between nodes and gateways. The data of various sensors on the node light controller is sent back to the gateway, and the control command of the gateway is also sent to the node light controller.

Through the controller, the staff can conveniently remote control the status of lamps and lanterns and adjust them, so that the lighting management of the site is more intelligent.

Competition



Through remote control, the lighting can achieve the best effect of professional competition, so as to meet the lighting demand of the field competition. Easy to operate, quick adjustment, intelligent system can be more conveniently deployed.

Training or Recreation



Lighting on the spot only needs to meet the effect of training or daily recreational activities, and the illumination of fixtures can be reasonably adjusted through remote control. It can not only save energy consumption but also save operating expenses.

> Application Reference



> Application Reference

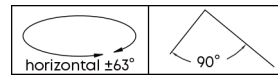


► Application Reference

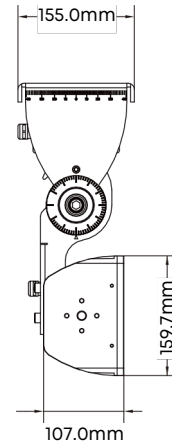
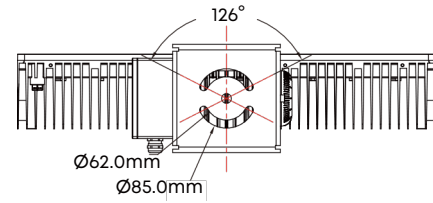
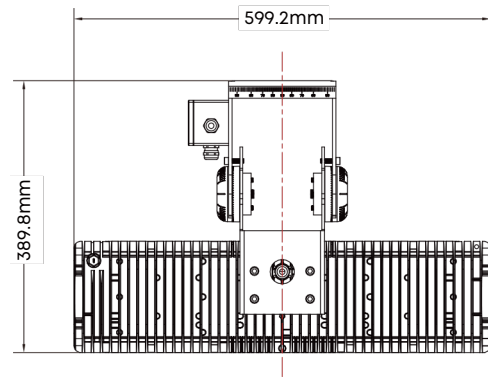


Dimension

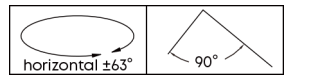
TYPE-A: Top Fixed Installation



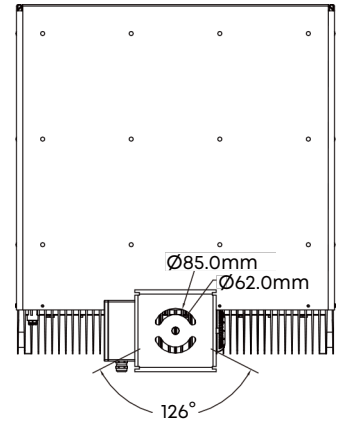
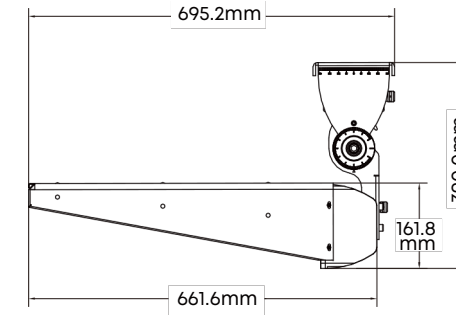
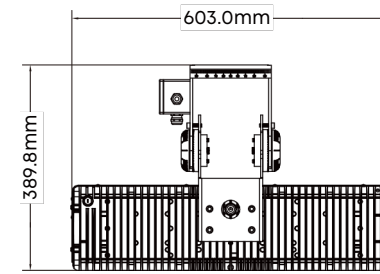
SCx (EPA)@25°:Top view: 0.08m² (0.86ft²) Front view: 0.13m² (1.40ft²)



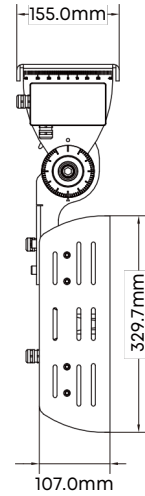
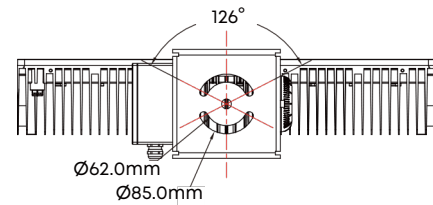
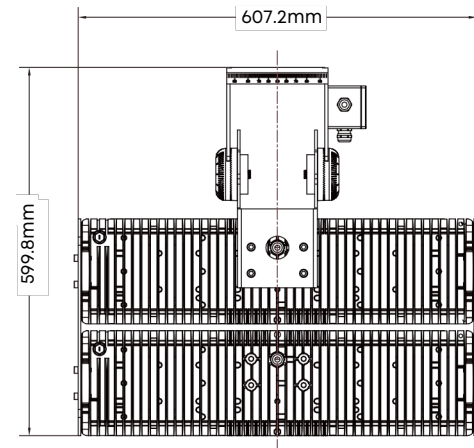
TYPE-A: Top Fixed Installation (With visor)



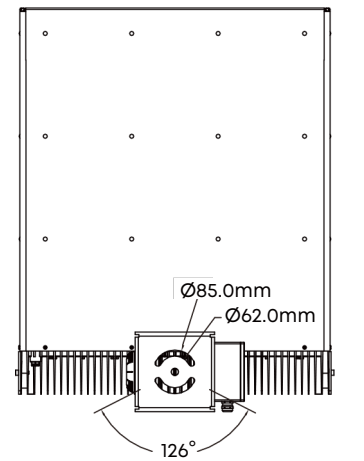
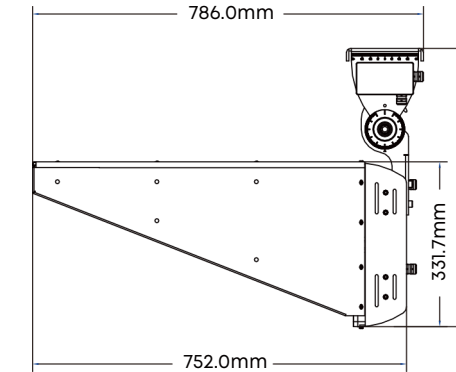
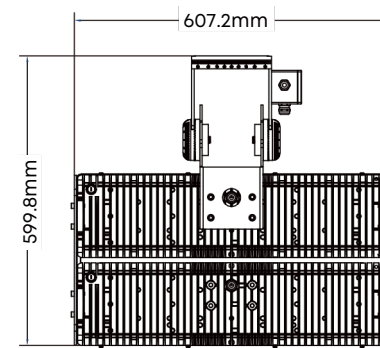
SCx (EPA)@25°:Top view: 0.18m² (1.94ft²) Front view: 0.37m² (3.98ft²)



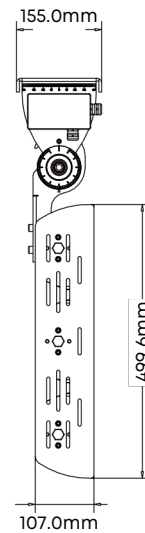
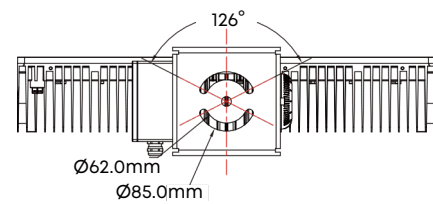
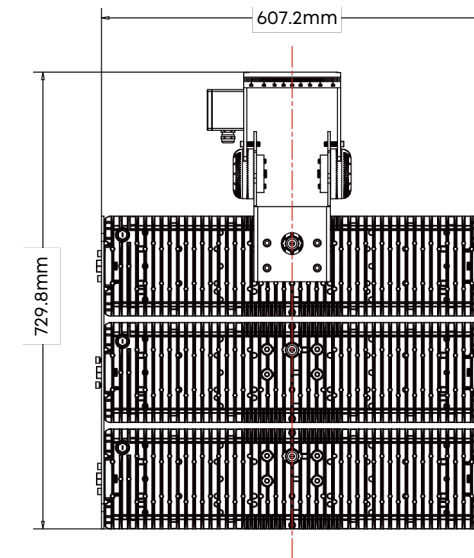
SCx (EPA)@25°:Top view: 0.12m² (1.29ft²) Front view: 0.21m² (2.26ft²)



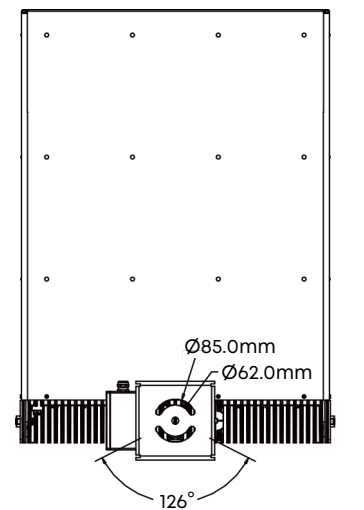
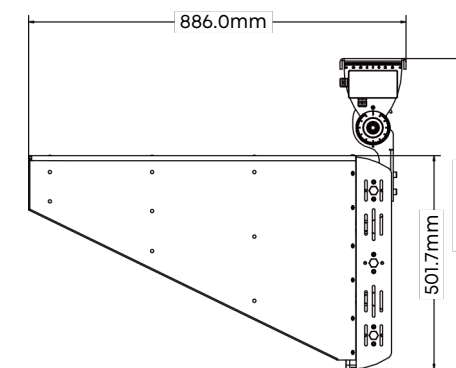
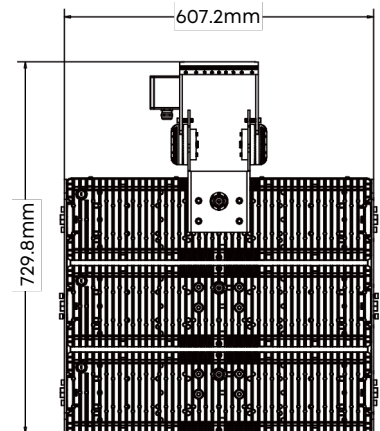
SCx (EPA)@25°:Top view: 0.21m² (2.26ft²) Front view: 0.46m² (4.95ft²)



SCx (EPA)@25°:Top view: 0.16m² (1.72ft²) Front view: 0.29m² (3.12ft²)



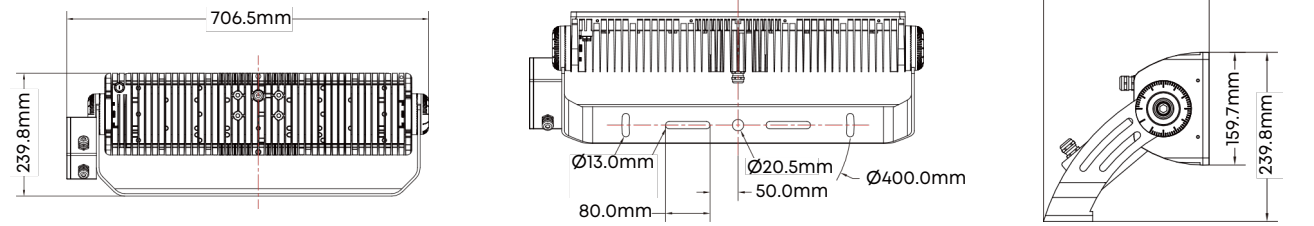
SCx (EPA)@25°:Top view: 0.24m² (2.58ft²) Front view: 0.48m² (5.17ft²)



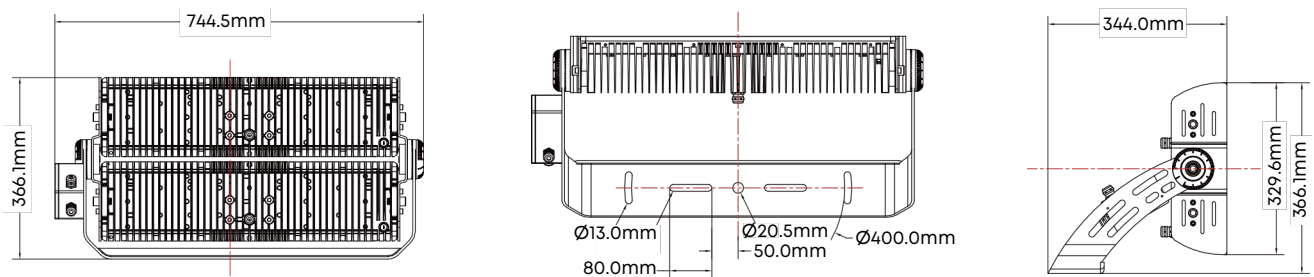
Dimension

TYPE-U: Yoke Mount

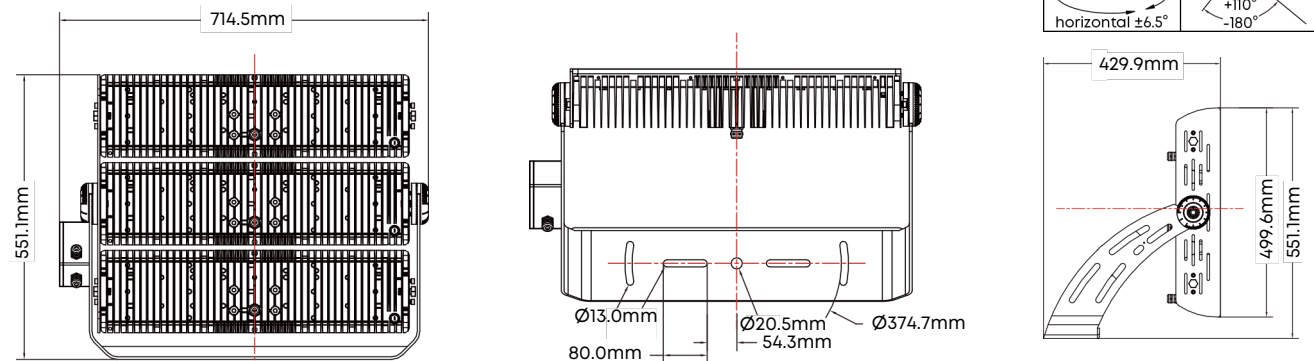
EPA(@25°): Top view: 0.08m² (0.86ft²) Front view: 0.13m² (1.40ft²)



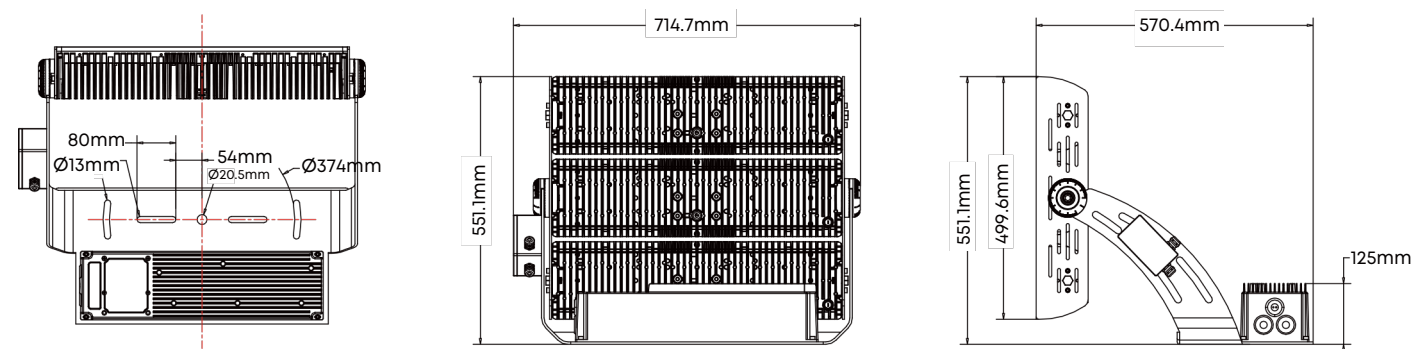
EPA(@25°): Top view: 0.20m² (2.15ft²) Front view: 0.22m² (2.37ft²)



EPA(@25°): Top view: 0.25m² (2.69ft²) Front view: 0.31m² (3.34ft²)

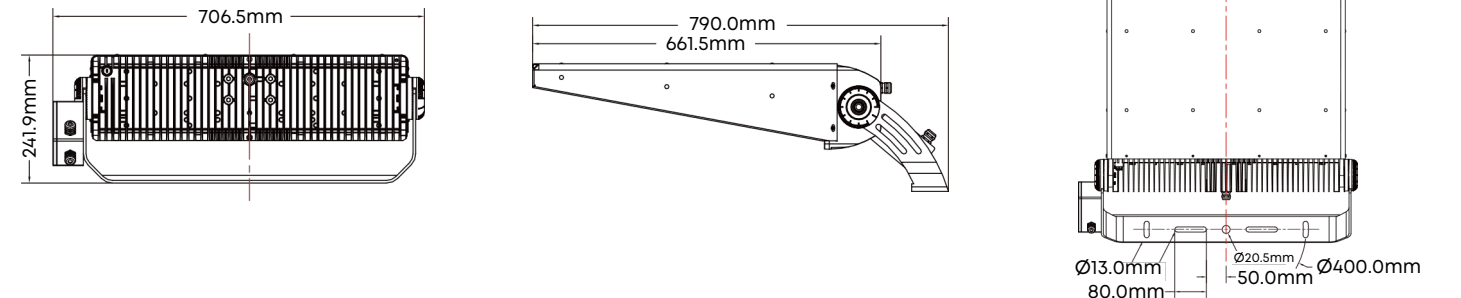


TYPE-U: Diverbox Integrated with Bracket

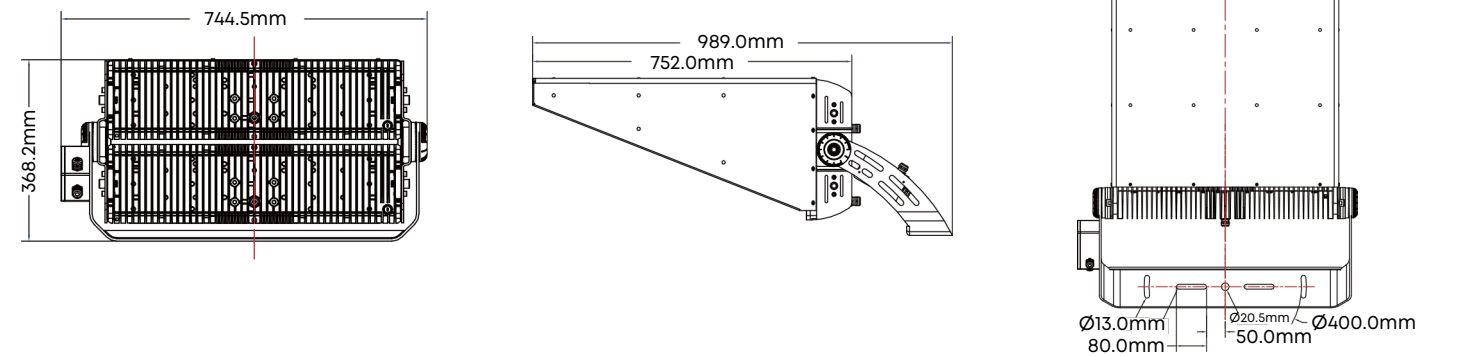


TYPE-U: Yoke Mount (With visor)

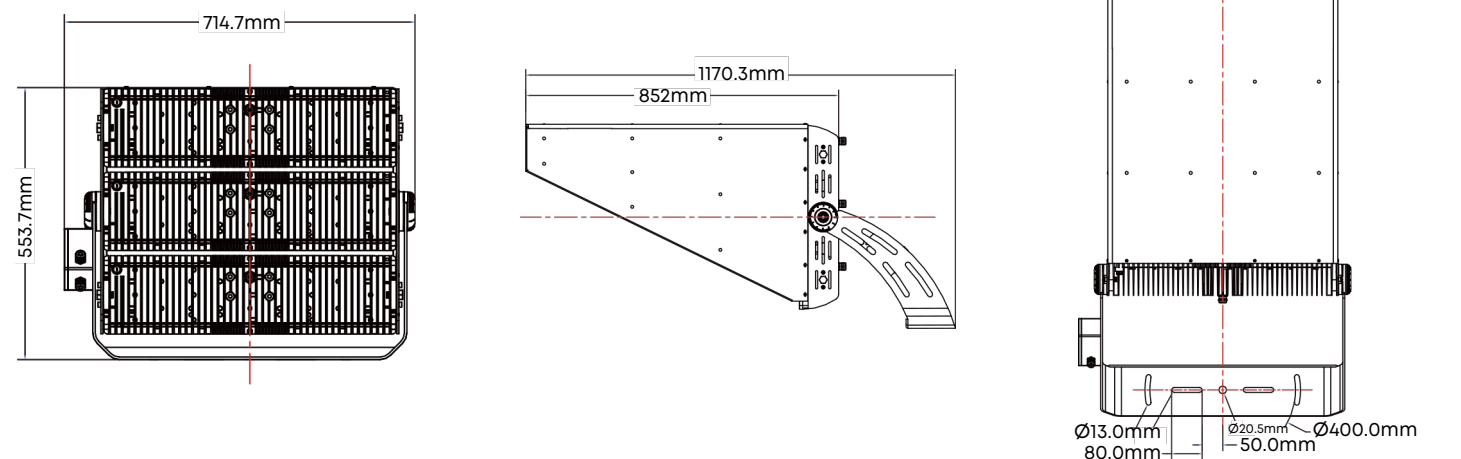
EPA(@25°): Top view: 0.42m² (4.52ft²) Front view: 0.17m² (1.83ft²)



EPA(@25°): Top view: 0.55m² (5.92ft²) Front view: 0.22m² (2.37ft²)



EPA(@25°): Top view: 0.66m² (7.10ft²) Front view: 0.31m² (3.34ft²)





Illuminate Your Future



5 Year Limited Warranty,
10 Year Preferred Warranty.
Please consult with our sales for detailed agreement.

Wally@aokledlight.com
www.aokledlight.com
+1 626-986-4050 (US)
+86 755 2357 9148 (CN)

Manufacturing: Building 1 & 4, St. George's Science and Technology Industrial Park, Shajing Street, Shenzhen, China, 518124.
Fuzhou HQ: Room 301, Yujing Business Center Zone 1, No. 12 Baihuazhou road, Cangshan district, Fuzhou, China, 350007
NorthAmerica HQ: 18541 E Gale Ave, City of Industry, CA91748 USA

Copyright ©2022 AOK LED LIGHT CO., LTD. All Right Reserved.