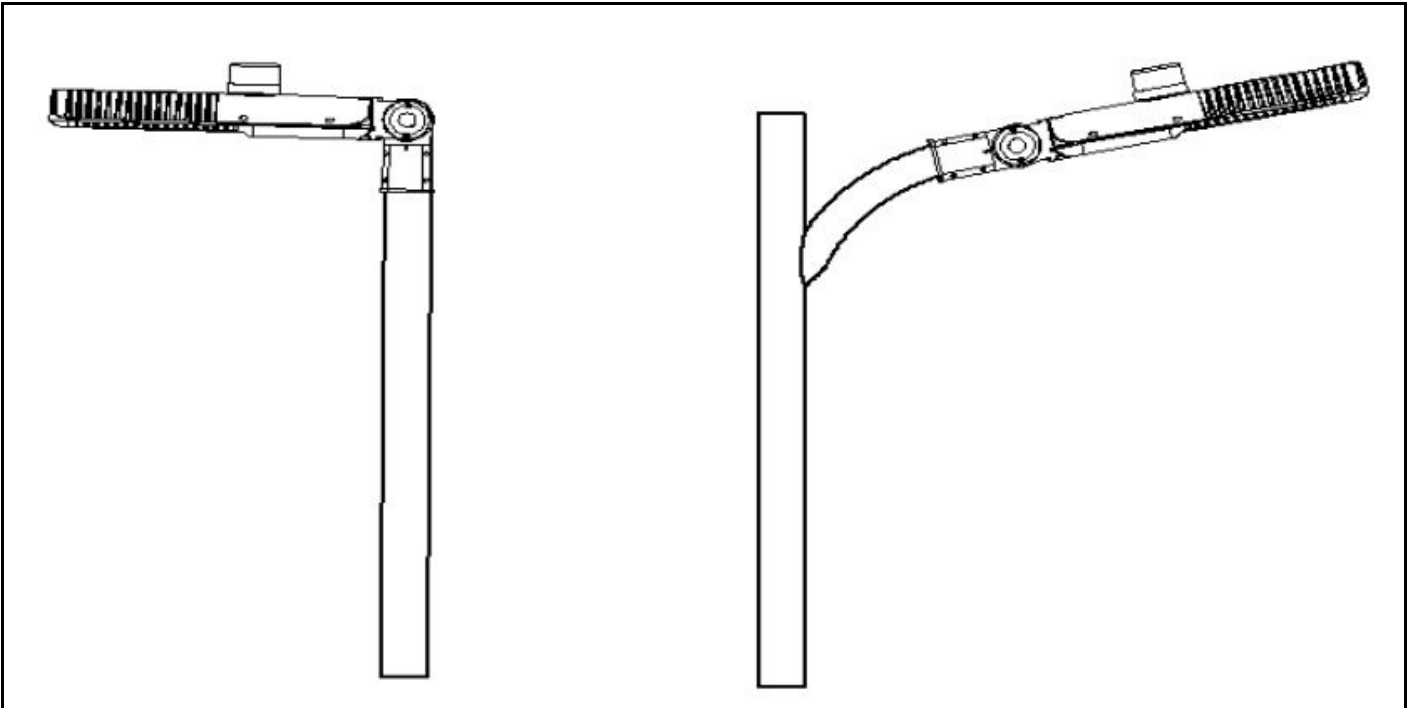


Installation Manual of AOK iT LED Parking Lot Light



Please read the installation manual carefully before installation and keep the manual for future use.



Warning

1. Electrician must have related certificates, knowledge and working experience. The work must be assigned to each electrician based on their position and responsibility.
2. The lens of parking lot light modules are PC material, they may be scratched by any careless handling. The parking lot light must be carefully protected in installation, especially when the face of luminaire is put downward, it needs to be protected with soft cloth or other protecting materials.
3. Installation must be proceeded when the electricity is shut off, no action be taken when there is electricity connected.
4. Construction must be proceeded according to related regulations, including the tools and equipments used. For example: working voltage range, Warning sign, flashing lamp, helmet, and working clothes etc.
5. Make sure the weather is suitable for high power electricity work when proceed construction.



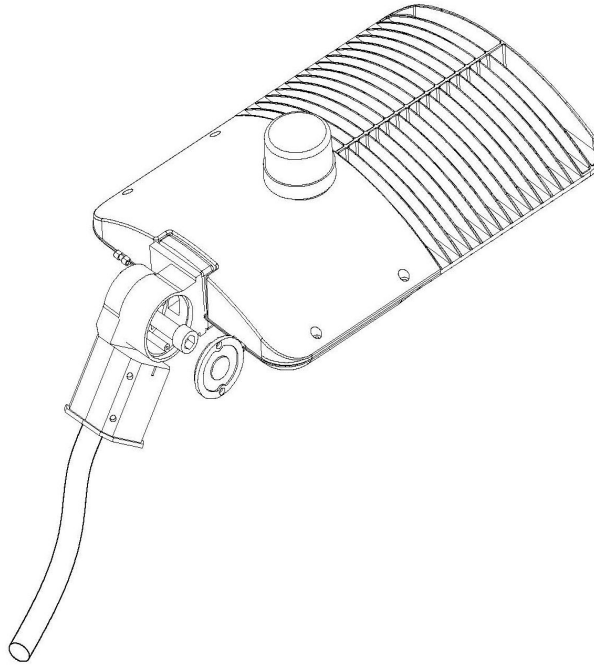
Statement

1. Installation of parking lot light must be proceeded with working truck with lifting platform, warning sign and flash lamp etc.
2. Installation and maintenance of Parking Lot Light must be proceeded when the electricity is off.
3. Maintenance must be proceeded with professional staff.

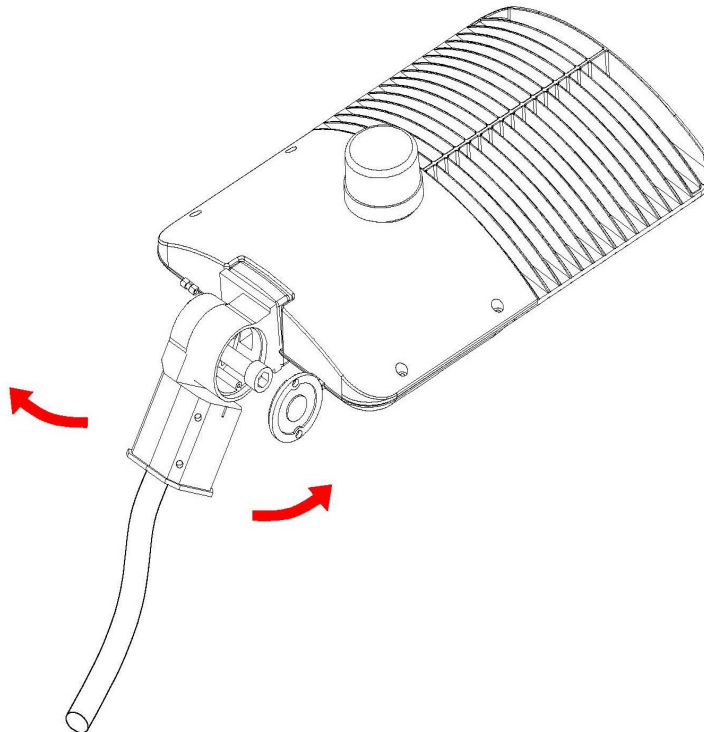
Preparation for installation of LED parking lot light

Step 1: Open the package, remove the packing materials and take out the LED Lamp

Step 2: Loosen the screws fixing the rotatable bracket with Outer hexagonal screw driver



Step 3: Adjust the rotatable bracket to desired degree

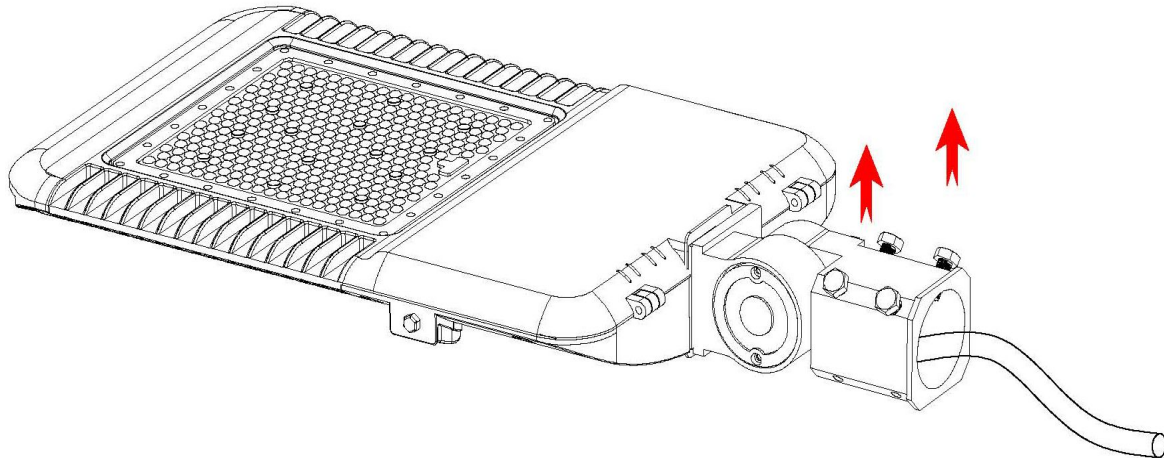


Step 4

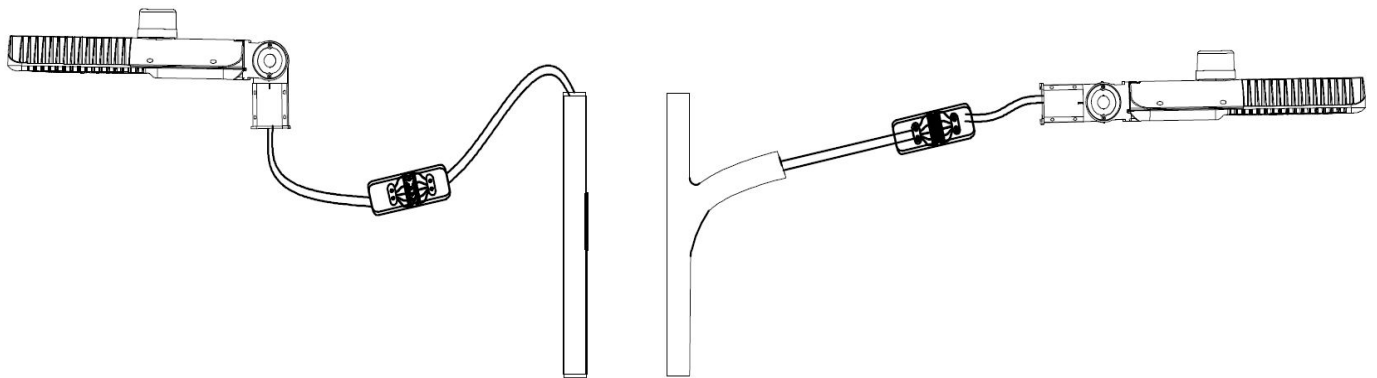
Re-tighten the rotatable bracket

Installation of LED Parking Lot Light

Step 1: Loose the 4 screws on the rotatable bracket of the parking lot light before installation of the light



Step 2: Wiring, connect the L,N,GND wires on the lamp to the L,N,GND cables on the lamp pole respectively
(Remark: US standard Black: L, White: N, Green: GND; Eur Standard: Brown:L, Blue:N, Yellow Green: GND)



Step 3: Fix LED Parking Lot Light to the lamp pole, and adjust the lamp to the degree desired. Fasten the 4 screws on the rotatable bracket of parking lot light

