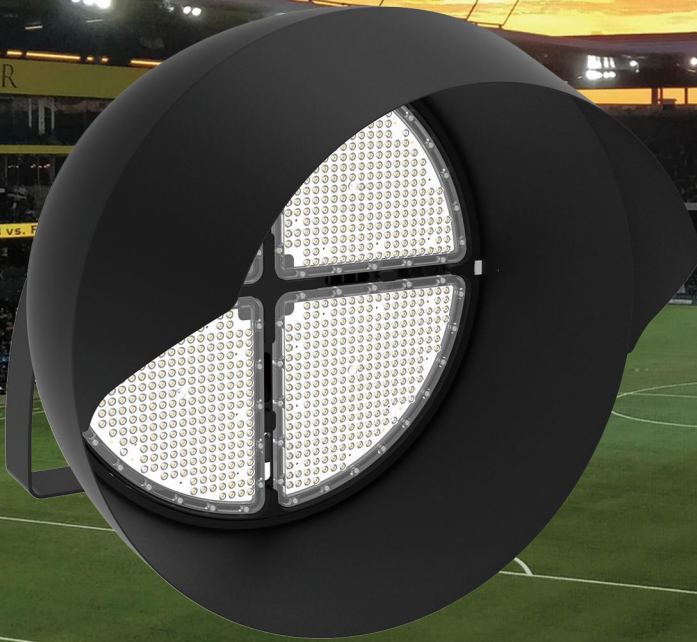


**NEW  
PRODUCT**



**IMS** LED STADIUM LIGHT  
LED FLOOD LIGHT



OVER YEARS   
**10 EXPERIENCE**  
[www.aokledlight.com](http://www.aokledlight.com)



## > Features of IMS Series

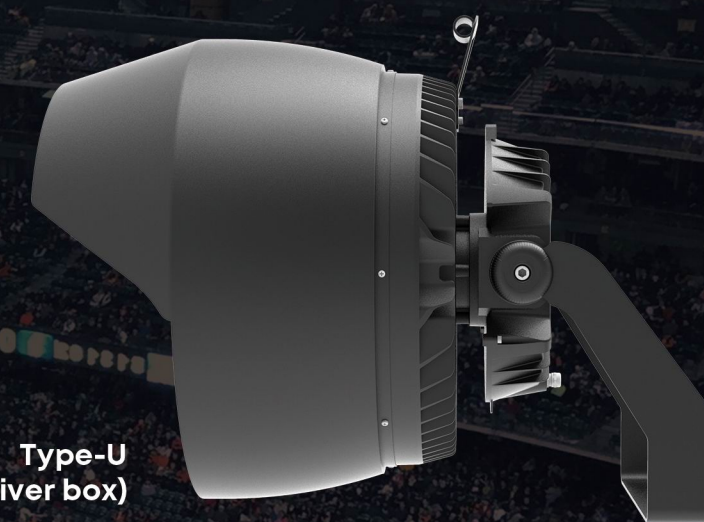
IMS series is an energy-saving and economical LED flood light which is suitable for stadium lighting. It is also suitable for large outdoor lighting such as ports, truck loading bay, and docks.

- Power range: 480w/600w/800w.
- Robust die-cast aluminum housing. (EN AC-46100).
- UV stabilized polyester powder paint finish for durability and corrosion resistance.
- The internal wiring structure is greatly simplified, the design is more reasonable, convenient for installation and debugging.
- Uniform luminous flux and low glare, better night vision performance.
- Compatible with DALI, 1-10V, PWM, Timer dimming.
- 3G vibration rating, conform to standard IEC 68-2-6.
- Built-in surge protection device, protect the outdoor fixtures to prolong the life, avoid overload or being damaged by lightning.

<b>UP TO</b> <b>160</b> lm/w	<b>100-277V</b> OR <b>277-480V</b> <b>50/60HZ</b>	<b>THD</b> <b>&lt;20%</b>	<b>L90B10</b> <b>&gt;52000hrs</b> <b>@ 25°C</b>	<b>Working Temperature Environment</b> <b>-40°C~50°C</b> <b>(-40°F~+122°F)</b>
<b>IP66</b> <b>IK09</b>	<b>3G</b> VIBRATION TESTING		<b>CRI</b> <b>70/80/90</b>	 <b>DIM</b>



**Type-A**  
(Split model, remote driver box)



**Type-U**  
(Yoke mount with driver box)

# Better Performance Starts with Better Lighting

**5** **10** **WARRANTY**  
5 Year Limited Warranty,  
10 Year Preferred Warranty.  
Please consult with our sales for detailed agreement.

wally@ookledlight.com  
+1 626-986-4050 (US)  
+86 755 2357 9148 (CN)

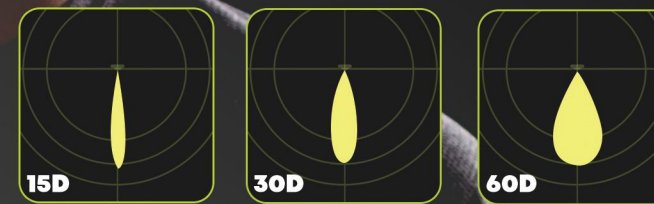
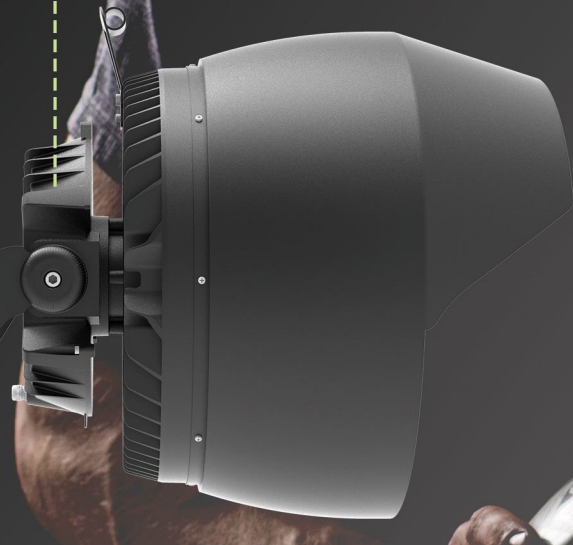
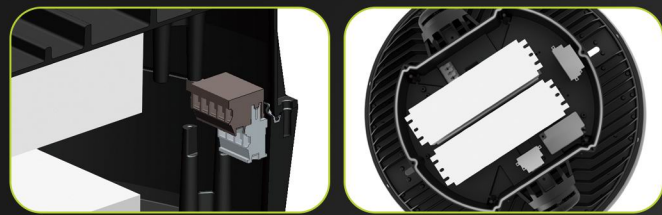
©2021 AOK LED LIGHT CO., LTD. All Right Reserved.

**AOK**  
Quality, Honesty, Service and Innovation

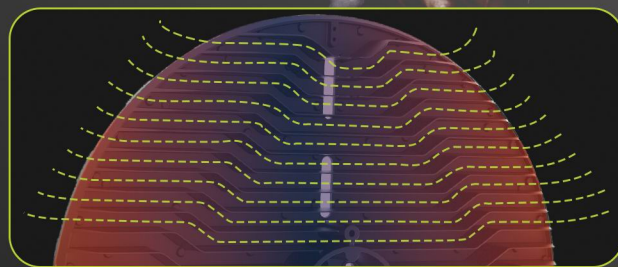
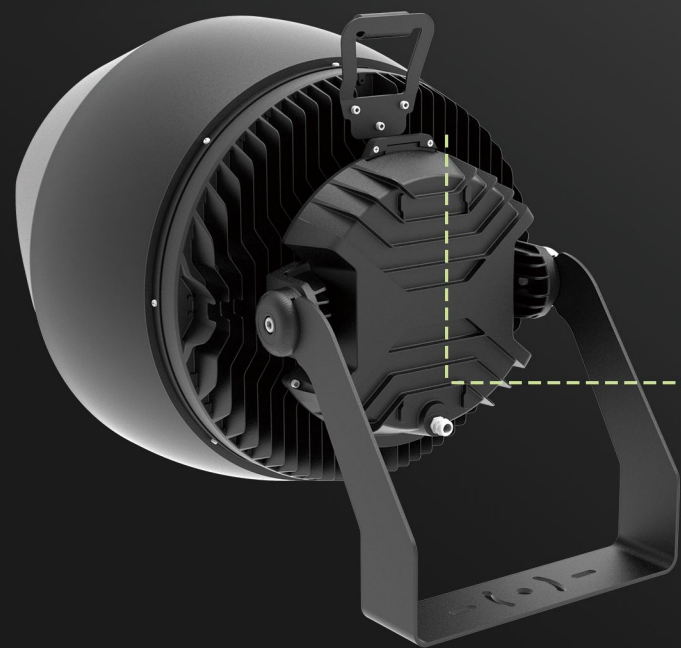
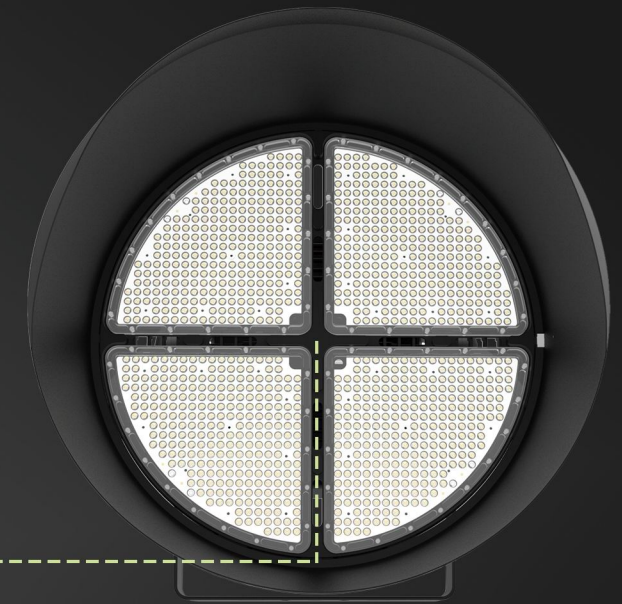


## > Perfect Design for Gaming

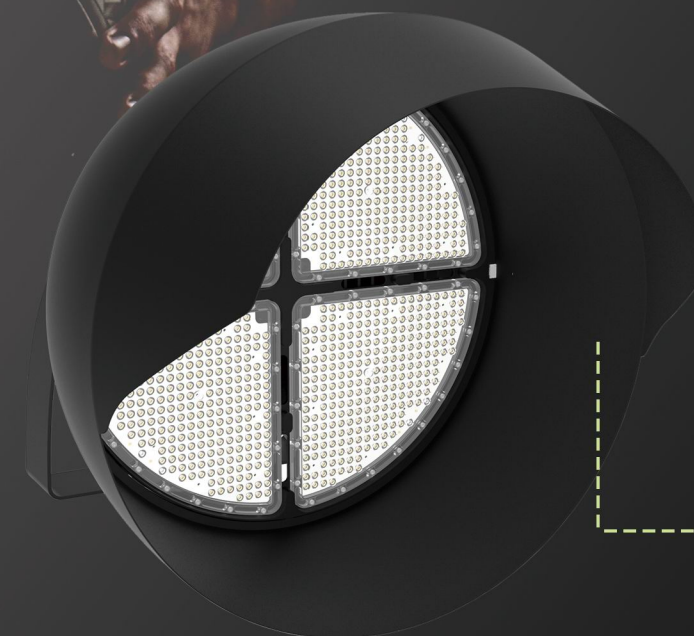
Versatile mounting bracket for easy installation, the minimum adjustment angle is  $\pm 5^\circ$ . 3G vibration rating, conform to standard IEC 68-2-6. Pin type terminal inside the driver box, quick installation, easy maintenance



Accurate light distribution for different project needs. Adopt Seoul 3030/5050 LED chips to ensure a high-quality light source. Optics is precisely designed to shape the distribution, maximizing efficiency and application. Modular optical assemblies enable simple replacement and fast maintenance.



Separated driver box, fin-shape heat dissipation design, speed up air convection, dynamic thermal management to maximizes cooling efficiency and significantly improves the lifespan of fixture.



Glare shield (light visor) reduce spill light and sky glow while maximizing efficiency and application spacing.



# > Application Reference



\*Due to the constant improvements in product development, individual parameters might change. Please refer to our sales or R&D team for most up-to-date content as specifications are subject to change without notice.



## > Application Reference



\*Due to the constant improvements in product development, individual parameters might change. Please refer to our sales or R&D team for most up-to-date content as specifications are subject to change without notice.



# > Application Reference







Quality, Honesty, Service and Innovation

# Illuminate Your Future



WARRANTY

5 Year Limited Warranty,  
10 Year Preferred Warranty.  
Please consult with our sales for detailed agreement.

wally@aokledlight.com

www.aokledlight.com

+1 626-986-4050 (US)

+86 755 2357 9148 (CN)

Manufacturing: Building 1 & 4, St. George's Science and Technology Industrial Park, Shajing Street, Shenzhen, China, 518124.

Fuzhou HQ: Room 301, Yujing Business Center Zone 1, No. 12 Baihuazhou road, Cangshan district, Fuzhou, China, 350007

NorthAmerica HQ: 18541 E Gale Ave, City of Industry, CA91748 USA

Copyright ©2021 AOK LED LIGHT CO., LTD. All Right Reserved.